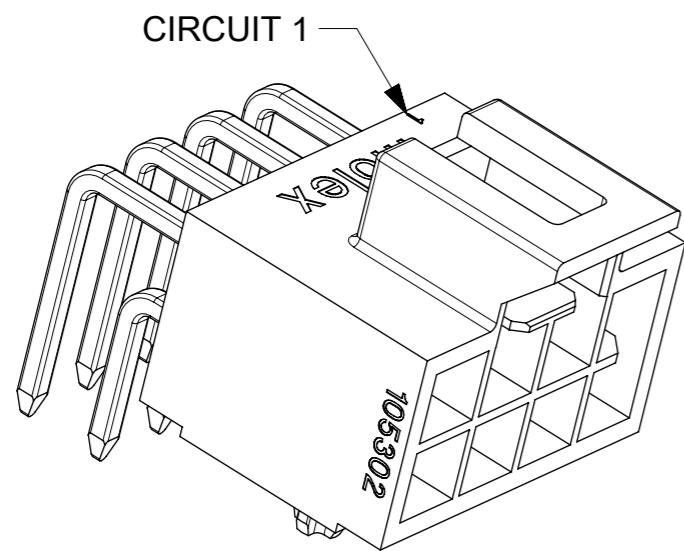
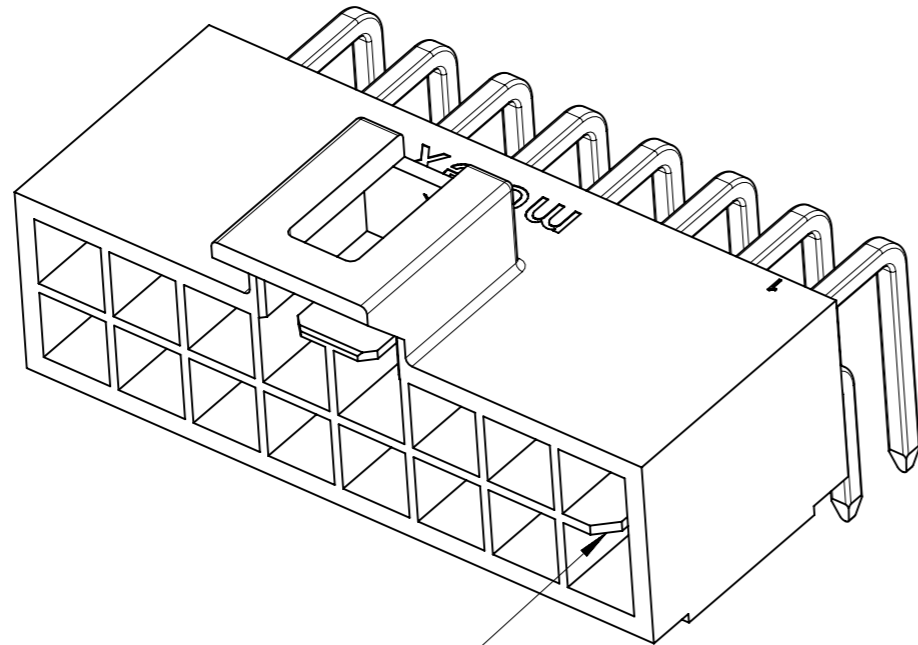


RECOMMENDED PCB(CONNECTOR SIDE VIEW) THICKNESS=1.6 TO 2.4 MM.

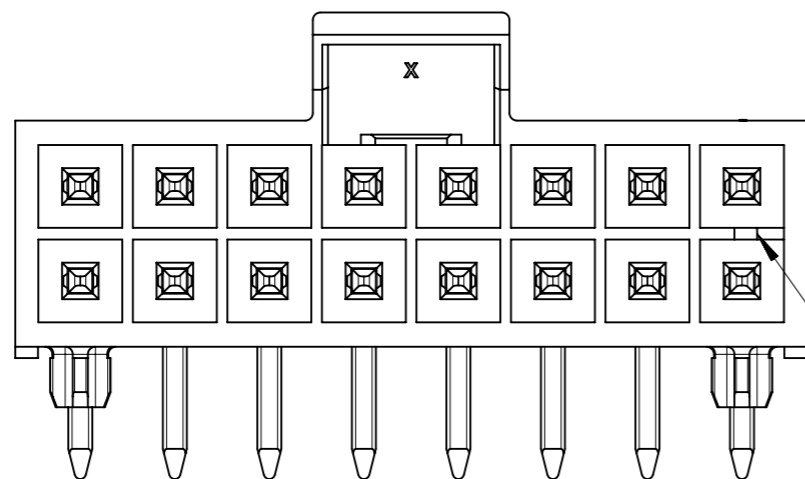


OPTION 1: LATCH FLUSH WITH PCB EDGE.
OPTION 2: HOUSING BODY FLUSH WITH PCB EDGE.

FUNCTIONAL SYMBOLS	THIS DRAWING CONTAINS INFORMATION THAT IS PROPRIETARY TO MOLEX ELECTRONIC TECHNOLOGIES, LLC AND SHOULD NOT BE USED WITHOUT WRITTEN PERMISSION		CURRENT REV DESC:		molex		
	▲/A = 0	mm	SCALE	5:1			
DIVISIONAL SYMBOLS	GENERAL TOLERANCES (UNLESS SPECIFIED)		EC NO: 638342		HEADER OF NANO-FIT, D/R, R/A POWER CONNECTOR		
	▽/E = 0	ANGULAR TOL ± 3.0°	4 PLACES ±	DRWN: GLLI 2020/05/27			
DIVISIONAL SYMBOLS	▽/E = 0	3 PLACES ± 0.1	2 PLACES ± 0.2	1 PLACE ± 0.3	0 PLACES ±		
	INITIAL REVISION:		2020/06/03		PRODUCT CUSTOMER DRAWING		
	DRWN: GLLI 2019/06/12		APPR: YXZHENG 2020/03/16				
	DRAFT WHERE APPLICABLE MUST REMAIN WITHIN DIMENSIONS		THIRD ANGLE PROJECTION	DRAWING	SERIES	MATERIAL NUMBER	
			A3-SIZE	105314	1053141000-SD		
DOCUMENT STATUS		P1	RELEASE DATE	2020/06/03 01:34:34	DOC TYPE	DOC PART	REVISION
					PSD	000	B
					CUSTOMER	SHEET NUMBER	
					GENERAL MARKET	1 OF 5	

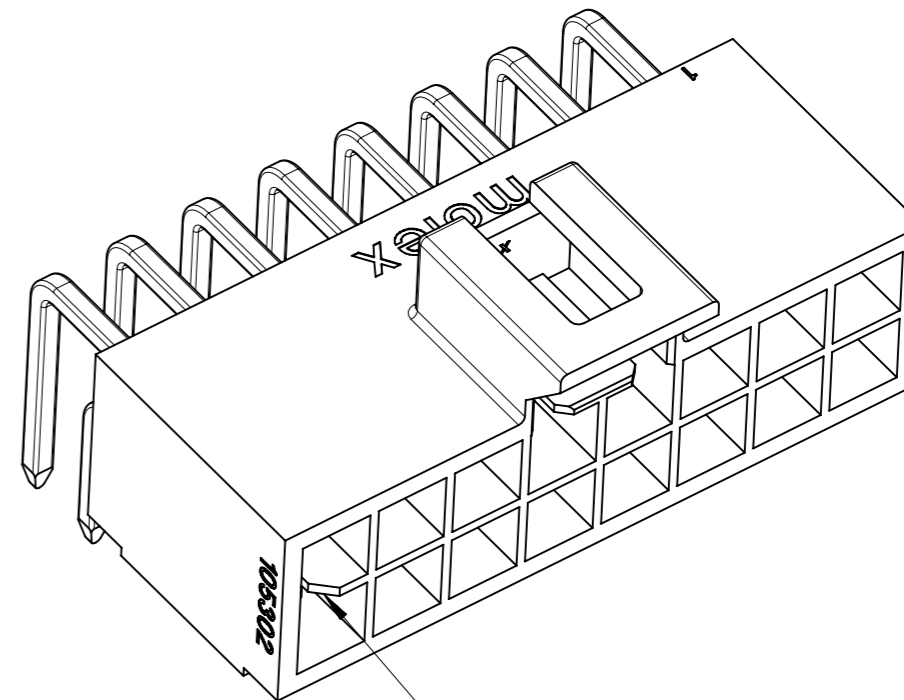


KEY A

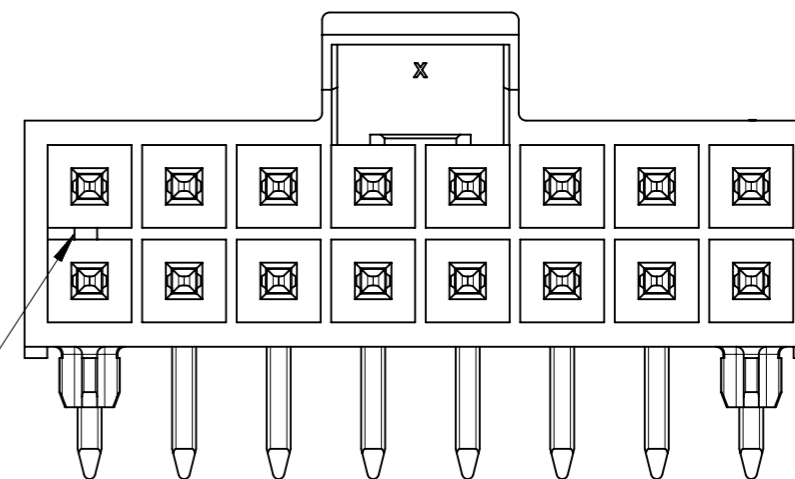


KEY A

BLACK



KEY B



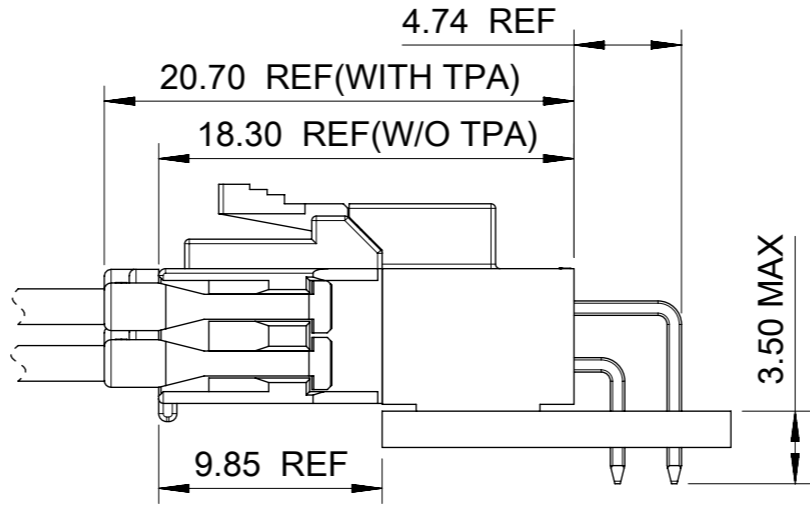
KEY B

NATURAL

COLOR OPTION

FUNCTIONAL SYMBOLS	THIS DRAWING CONTAINS INFORMATION THAT IS PROPRIETARY TO MOLEX ELECTRONIC TECHNOLOGIES, LLC AND SHOULD NOT BE USED WITHOUT WRITTEN PERMISSION		CURRENT REV DESC:		molex				
	▽A = 0	mm						SCALE 5:1	
▽E = 0	GENERAL TOLERANCES (UNLESS SPECIFIED)		EC NO: 638342 DRWN: GLLI 2020/05/27 CHK'D: YXZHENG 2020/06/03 APPR: YXZHENG 2020/06/03		HEADER OF NANO-FIT, D/R, R/A POWER CONNECTOR				
▽E = 0	ANGULAR TOL ± 3.0°								
DIVISIONAL SYMBOLS	4 PLACES	±			INITIAL REVISION: DRWN: GLLI 2019/06/12 APPR: YXZHENG 2020/03/16		PRODUCT CUSTOMER DRAWING		
	3 PLACES	± 0.1					DOCUMENT NUMBER 1053141000-SD		
	2 PLACES	± 0.2	DOC TYPE PSD						
1 PLACE	± 0.3	THIRD ANGLE PROJECTION		DOC PART 000					
0 PLACES	±	DRAWING A3-SIZE		REVISION B					
DRAFT WHERE APPLICABLE MUST REMAIN WITHIN DIMENSIONS		SERIES 105314		MATERIAL NUMBER		CUSTOMER GENERAL MARKET			
				SHEET NUMBER		2 OF 5			

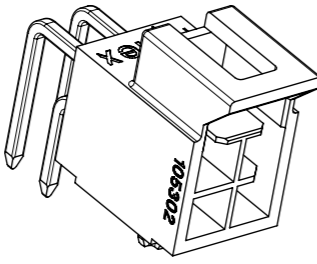
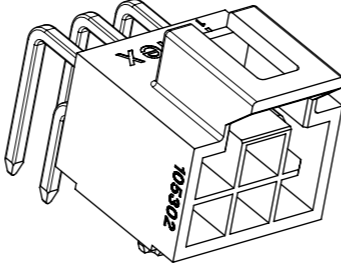
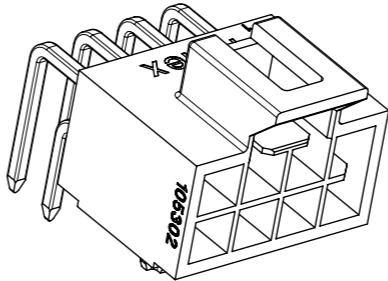
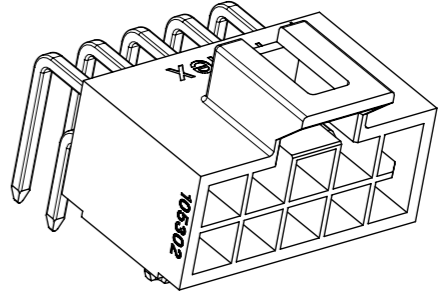
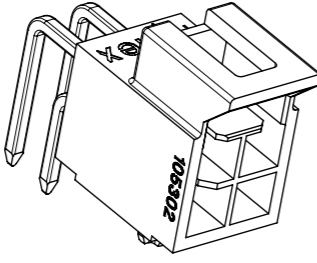
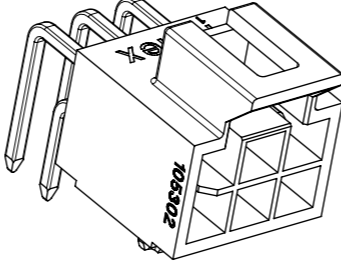
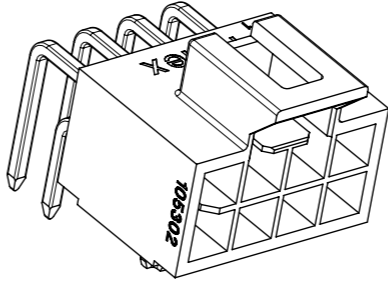
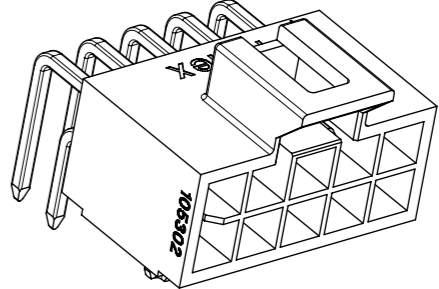
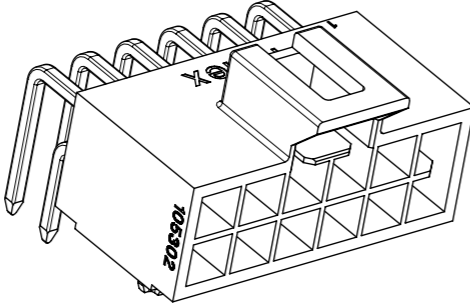
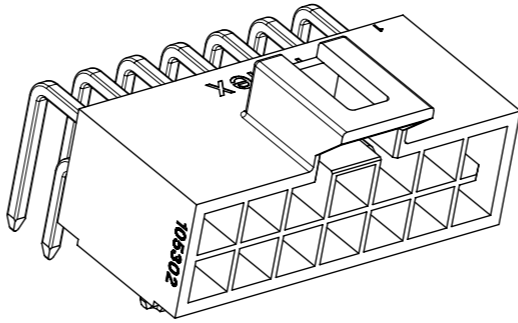
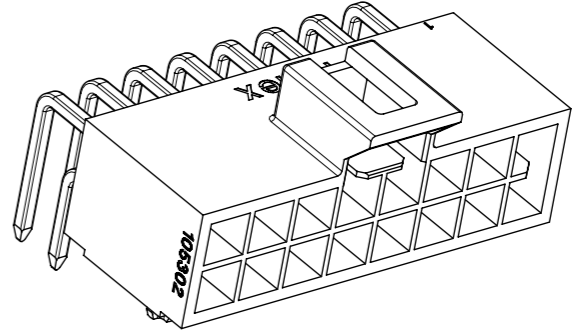
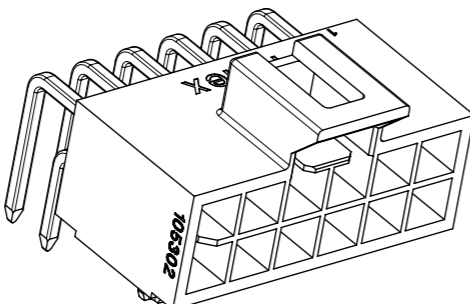
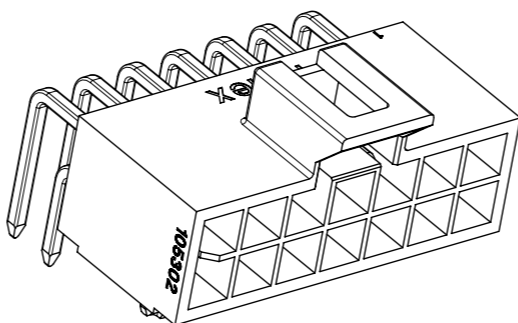
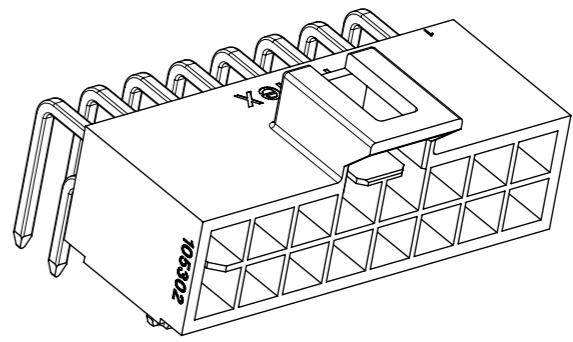
10	9	8	7	6	5	4	3	2	1					
PART NUMBER	DIM 'A'	DIM 'B'	DIM 'C'	CKT SIZE	PLATING									
105314-1504	5.94	2.50	3.14	4	TIN									
105314-1506	8.44	5.00	5.64	6										
105314-1508	10.94	7.50	8.14	8										
105314-1510	13.44	10.00	10.64	10										
105314-1512	15.94	12.50	13.14	12										
105314-1514	18.44	15.00	15.64	14										
105314-1516	20.94	17.50	18.14	16	GOLD 0.38									
105314-1704	5.94	2.50	3.14	4										
105314-1706	8.44	5.00	5.64	6										
105314-1708	10.94	7.50	8.14	8										
105314-1710	13.44	10.00	10.64	10										
105314-1712	15.94	12.50	13.14	12										
105314-1714	18.44	15.00	15.64	14	GOLD 0.76									
105314-1716	20.94	17.50	18.14	16										
105314-1604	5.94	2.50	3.14	4										
105314-1606	8.44	5.00	5.64	6										
105314-1608	10.94	7.50	8.14	8										
105314-1610	13.44	10.00	10.64	10										
105314-1612	15.94	12.50	13.14	12	GOLD 0.76 + LUBE									
105314-1614	18.44	15.00	15.64	14										
105314-1616	20.94	17.50	18.14	16										
105314-1804	5.94	2.50	3.14	4										
105314-1806	8.44	5.00	5.64	6										
105314-1808	10.94	7.50	8.14	8										
105314-1810	13.44	10.00	10.64	10	GOLD 0.76 + LUBE									
105314-1812	15.94	12.50	13.14	12										
105314-1814	18.44	15.00	15.64	14										
105314-1816	20.94	17.50	18.14	16										
COLOR: BLACK														

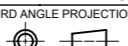


10	9	8	7	6	5	4	3	2	1					
PART NUMBER	DIM 'A'	DIM 'B'	DIM 'C'	CKT SIZE	PLATING									
105314-2504	5.94	2.50	3.14	4	TIN									
105314-2506	8.44	5.00	5.64	6										
105314-2508	10.94	7.50	8.14	8										
105314-2510	13.44	10.00	10.64	10										
105314-2512	15.94	12.50	13.14	12										
105314-2514	18.44	15.00	15.64	14										
105314-2516	20.94	17.50	18.14	16	GOLD 0.38									
105314-2704	5.94	2.50	3.14	4										
105314-2706	8.44	5.00	5.64	6										
105314-2708	10.94	7.50	8.14	8										
105314-2710	13.44	10.00	10.64	10										
105314-2712	15.94	12.50	13.14	12										
105314-2714	18.44	15.00	15.64	14	GOLD 0.76									
105314-2716	20.94	17.50	18.14	16										
105314-2604	5.94	2.50	3.14	4										
105314-2606	8.44	5.00	5.64	6										
105314-2608	10.94	7.50	8.14	8										
105314-2610	13.44	10.00	10.64	10										
105314-2612	15.94	12.50	13.14	12	GOLD 0.76 + LUBE									
105314-2614	18.44	15.00	15.64	14										
105314-2616	20.94	17.50	18.14	16										
105314-2804	5.94	2.50	3.14	4										
105314-2806	8.44	5.00	5.64	6										
105314-2808	10.94	7.50	8.14	8										
105314-2810	13.44	10.00	10.64	10	GOLD 0.76 + LUBE									
105314-2812	15.94	12.50	13.14	12										
105314-2814	18.44	15.00	15.64	14										
105314-2816	20.94	17.50	18.14	16										
COLOR: NATURAL														

DOCUMENT STATUS P1 RELEASE DATE 2020/06/03 01:34:34

FUNCTIONAL SYMBOLS	THIS DRAWING CONTAINS INFORMATION THAT IS PROPRIETARY TO MOLEX ELECTRONIC TECHNOLOGIES, LLC AND SHOULD NOT BE USED WITHOUT WRITTEN PERMISSION	CURRENT REV DESC:		molex		
	DIMENSION UNITS	SCALE	HEADER OF NANO-FIT, D/R, R/A POWER CONNECTOR			
	$\nabla_A = 0$	mm	3:1	PRODUCT CUSTOMER DRAWING		
	$\nabla_B = 0$	GENERAL TOLERANCES (UNLESS SPECIFIED)		DOCUMENT NUMBER		
$\nabla_C = 0$	ANGULAR TOL $\pm 3.0^\circ$		DOC TYPE DOC PART REVISION			
DIVISIONAL SYMBOLS	4 PLACES \pm	EC NO: 638342	1053141000-SD			
	3 PLACES ± 0.1	DRWN: GLLI	PSD 000 B			
	2 PLACES ± 0.2	CHK'D: YXZHENG	GENERAL MARKET			
	1 PLACE ± 0.3	APPR: YXZHENG	SHEET NUMBER			
	0 PLACES \pm	INITIAL REVISION:	3 OF 5			
	DRAFT WHERE APPLICABLE MUST REMAIN WITHIN DIMENSIONS	DRWN: GLLI				
		APPR: YXZHENG				
		THIRD ANGLE PROJECTION				
		DRAWING				
		SERIES				
		MATERIAL NUMBER				
		CUSTOMER				
		A3-SIZE				
		105314				

		4 CKT	6 CKT	8 CKT	10 CKT
F	BLACK				
E	NATURAL				
		12 CKT	14 CKT	16 CKT	
D	BLACK				
C	NATURAL				

FUNCTIONAL SYMBOLS	THIS DRAWING CONTAINS INFORMATION THAT IS PROPRIETARY TO MOLEX ELECTRONIC TECHNOLOGIES, LLC AND SHOULD NOT BE USED WITHOUT WRITTEN PERMISSION		CURRENT REV DESC:		molex				
	mm	3:1							
DIVISIONAL SYMBOLS	GENERAL TOLERANCES (UNLESS SPECIFIED)		EC NO: 638342 DRWN: GLLI CHK'D: YXZHENG APPR: YXZHENG INITIAL REVISION: DRWN: GLLI APPR: YXZHENG		HEADER OF NANO-FIT, D/R, R/A POWER CONNECTOR				
	ANGULAR TOL ± 3.0°								
	4 PLACES ±	2020/05/27						PRODUCT CUSTOMER DRAWING	
	3 PLACES ± 0.1	2020/06/03							
	2 PLACES ± 0.2	2020/06/03							
1 PLACE ± 0.3									
0 PLACES ±			DOCUMENT NUMBER		DOC TYPE	DOC PART	REVISION		
DRAFT WHERE APPLICABLE MUST REMAIN WITHIN DIMENSIONS		THIRD ANGLE PROJECTION	DRAWING	SERIES	MATERIAL NUMBER	CUSTOMER	SHEET NUMBER		
			A3-SIZE	105314	1053141000-SD	GENERAL MARKET	PSD	000 B	

NOTES FOR ALL PARTS

1> MATERIAL:

HOUSING: LCP, UL 94V-0.
 TERMINAL: BRASS.

2> PLATING FINISHED:

TERMINAL:

CONTACT AREA: a. REFLOW MATTE TIN 1.5MICRONS MIN;
 b. GOLD 0.38 MICRONS MIN;
 c. GOLD 0.76 MICRONS MIN.

SOLDER AREA: MATTE TIN 1.5 MICRONS MIN, UNDER PLATING NICKEL 1.25 MICRONS MIN.

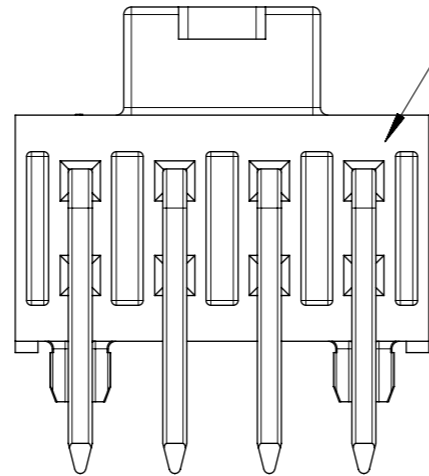
3> PRODUCT SPECIFICATION: PS-105300-100.

4> PACKAGE: TAPE REEL, DETAILS REFER TO DRAWING OF 1053141000-PK.

5> PRODUCT MATE WITH SERIES OF 105308(RECEPTACLE), 105300(CRIMP TERMINAL).

6> PARTS CONFORM TO CLASS 'B'REQUIREMENTS OF COSMETIC SPECIFICATION PS-45499-002.

7> DISCOLORATION IN THE BANDOLIER PIN CARRIER AREA OF THE PIN IS INHERENT TO THE PLATING PROCESS AND IS DUE TO THE MASKING DEFECT OF THE CARRIER, THIS DISCOLORATION IS IN A NON-FUNCTION AREA OF THE PIN AND WILL NOT AFFECT THE PERFORMANCE OF THE HEADER ASSEMBLY.



IF ANY NUMBER MARK APPEARS ON THIS SURFACE, PLEASE DISREGARD IT, IT IS NO ANY FUCTION AND NO ANY RELATION TO PIN NUMBER, IT IS JUST FOR MOLDING IDENTIFICATION.

FUNCTIONAL SYMBOLS	THIS DRAWING CONTAINS INFORMATION THAT IS PROPRIETARY TO MOLEX ELECTRONIC TECHNOLOGIES, LLC AND SHOULD NOT BE USED WITHOUT WRITTEN PERMISSION						
	$\nabla_A = 0$ $\nabla_B = 0$ $\nabla_C = 0$	DIMENSION UNITS: mm SCALE: 1:1					CURRENT REV DESC: EC NO: 638342 DRWN: GLLI CHK'D: YXZHENG APPR: YXZHENG
DIVISIONAL SYMBOLS	GENERAL TOLERANCES (UNLESS SPECIFIED)		PRODUCT CUSTOMER DRAWING				
	ANGULAR TOL $\pm 3.0^\circ$		DOCUMENT NUMBER				
	4 PLACES \pm		INITIAL REVISION:		DOC TYPE	DOC PART	
	3 PLACES ± 0.1		DRWN: GLLI		REVISION		
2 PLACES ± 0.2		APPR: YXZHENG		1053141000-SD	PSD		
1 PLACE ± 0.3		2019/06/12		000	B		
0 PLACES \pm		2020/03/16					
DRAFT WHERE APPLICABLE MUST REMAIN WITHIN DIMENSIONS		THIRD ANGLE PROJECTION	DRAWING	SERIES	MATERIAL NUMBER	CUSTOMER	SHEET NUMBER
			A3-SIZE	105314		GENERAL MARKET	5 OF 5