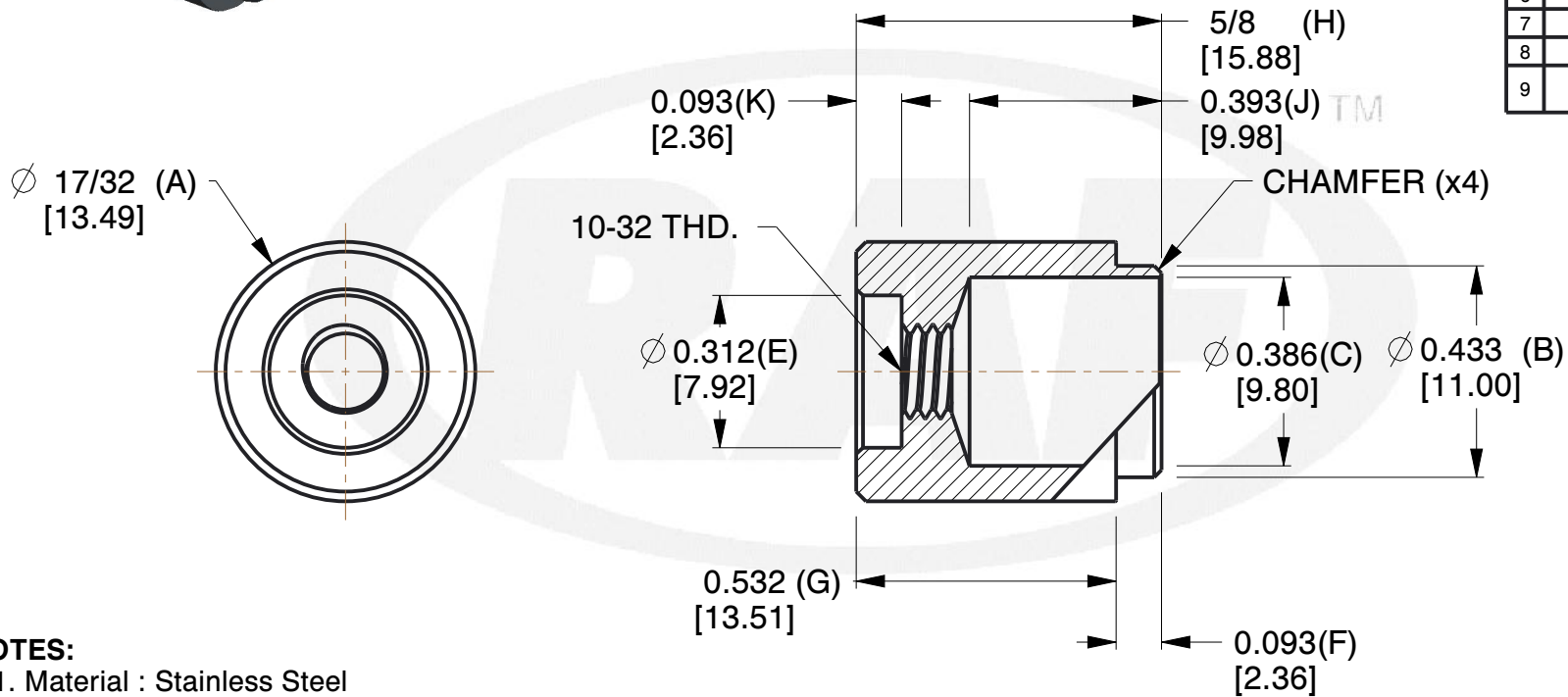


REV	CHANGE	DATE	DRN	CHK
	Drawn	03/06/17	SJ	T

TOLERANCE DETAILS		
1	A	±0.004 [±0.01]
2	B	+0.000 [+0.00] -0.003 [-0.08]
3	C	+0.004 [+0.10] -0.001 [-0.02]
4	E	+0.005 [+0.12] -0.000 [-0.00]
5	F	±0.005 [±0.12]
6	G	±0.005 [±0.12]
7	H	±0.010 [±0.25]
8	J	±0.005 [±0.12]
9	K	+0.010 [+0.25] -0.000 [-0.00]



**NOTES:**

1. Material : Stainless Steel
2. Finish :
3. ASME Y14.5M - 2009
4. All Drawing Dimensions are in Inches [mm]
5. Unless otherwise specified; Edge Breaks, Radii or Countersinks 0.005-0.015



95 Silvermine Rd., Seymour CT 06483  
Tel: 203-888-2133, Fax: 203-888-9860

This Drawing is the Property of RAF.  
It contains confidential, proprietary information that is RAF property. Do not disclose to or duplicate for others except as authorized by RAF.

**TOLERANCES**  
ALL DIMENSIONS ARE INCHES (UNLESS OTHERWISE SPECIFIED)  
**METALLIC**  
LENGTHS <math>\leq 6</math> INCHES ± 0.005  
LENGTH > 6 INCHES ± 0.010  
DIAMETERS: ± 0.005  
**NON-METALLIC**  
LENGTH: ± 0.010 DIAMETERS: ± 0.010  
**INTERNAL THREADS:**  
MINIMUM THREAD DEPTH

COMPONENT	PANEL SCREW	SCALE
1029-093-SS		2.59
PANEL SCREW RETAINER		<b>SHEET</b>
STYLE D		1 of 1