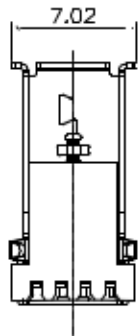


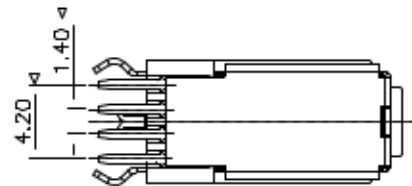
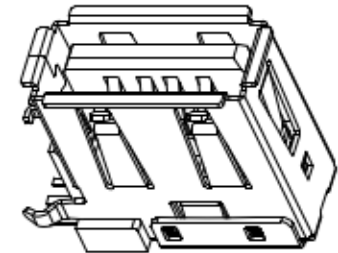
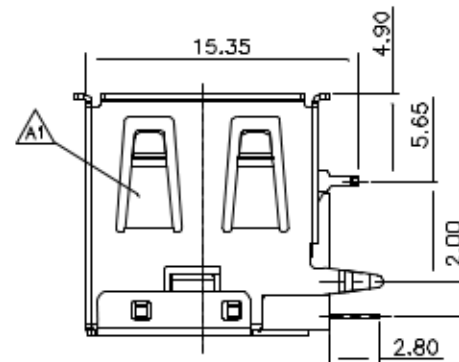
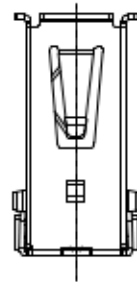
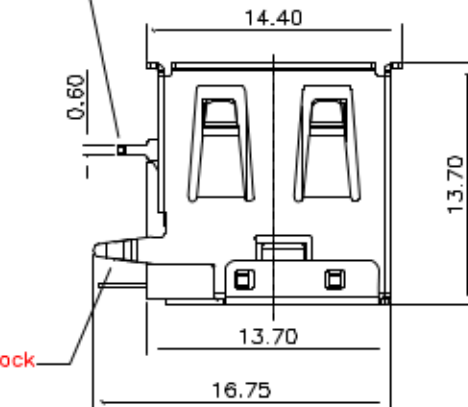
RECOMMEND PCB LAYOUT

NOTE:
 MATERIAL:
 HOUSING: PBT+30%GF (UL 94V-0)
 SHELL: BRASS C2680-H T=0.3mm
 TERMINAL: PHOSPHOR BRONZE C5191-H T=0.20mm
 SPECIFICATION:
 VOLTAGE CURRENT RATING: 1AMP 30V DC
 Insulator Color: WHITE
 INSULATION RESISTANCE: 1000MΩ MIN
 CONTACT RESISTANCE TERMINAL: 30mΩ MAX
 WITHSTANDING VOLTAGE: 500V AC
 MATING FORCE: 30N MAX
 UNMATING FORCE: 10N MIN

solder retention tabs



retentive board lock



Pin Number	Signal Name
1	VBUS
2	D-
3	D+
4	GND
Shell	Shield

11/12/17	XIE	EG-N112018	(新圖樣)將原本四腳片加寬·增加插拔耐久力		A1				
11/08/05	XIE		NEW DWG		A0				
DATE	DR.BY	ECN.NO.	DESCRIPTION	MARK	VER.				
-TOLERANCES- UNLESS OTHERWISE SPECIFIED			 TITLE: USB 4P A/F DIP 90度側插式 三只腳成品 PRODUCT NO: 1001-008-01001						
X.X	±0.30	X.X'				±3.00'	APPD:		
X.XX	±0.25	X.XX'	±2.00'	CHECK:	DATE	SCALE	UNIT	TYPE	PAGE
X.XXX	±0.15	X.XXX'	±1.00'	DRAW:	2011.08.05	1:1	mm	Z	1/1