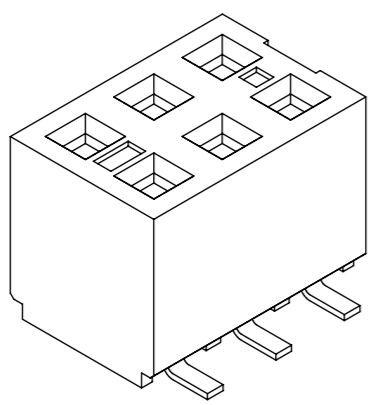
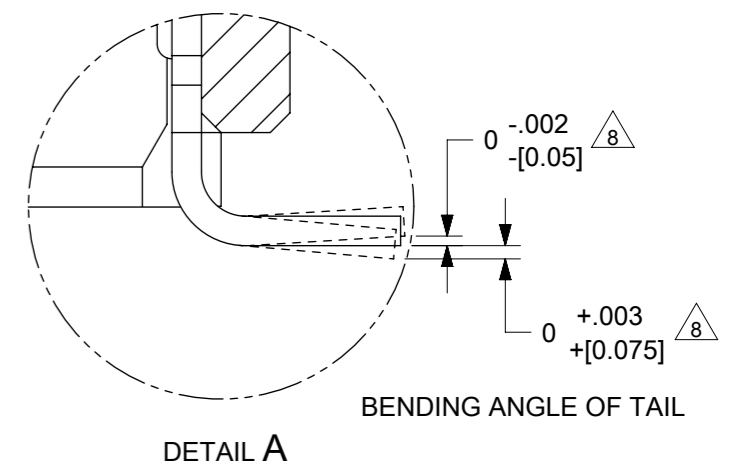
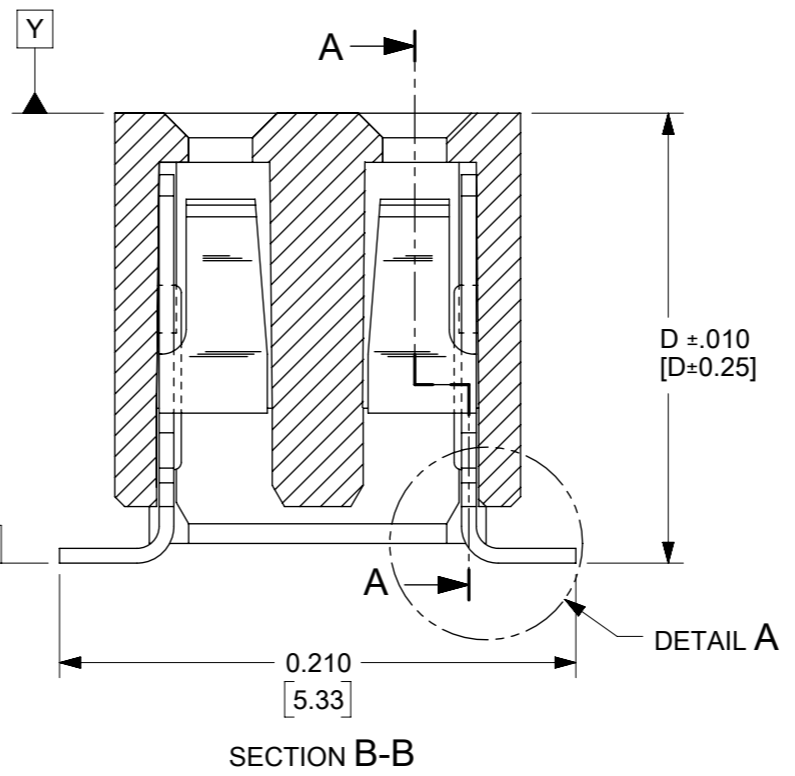
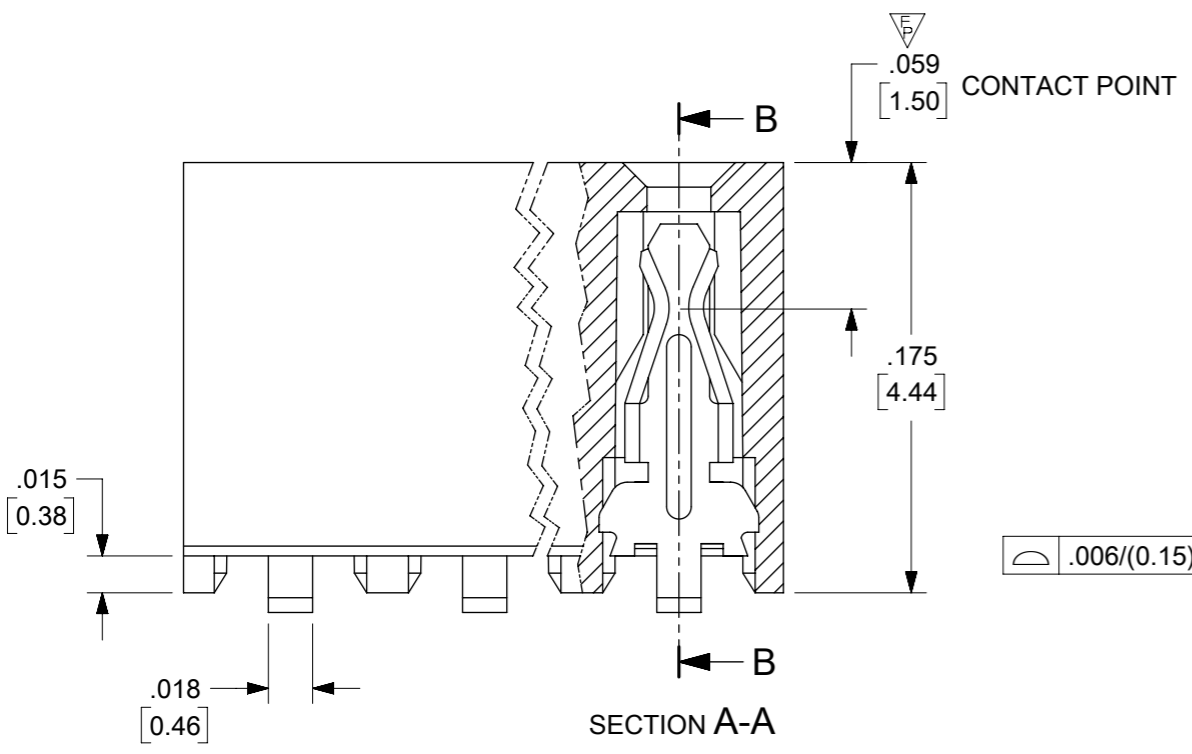


- NOTES:**
- HOUSING MATERIAL:  
LCP, GLASS FILLED, UL 94V-0  
COLOUR BLACK.
  - TERMINAL MATERIAL:  
PHOSPHOR BRONZE
  - SEE APPROPRIATE SHEET FOR CIRCUIT SIZE,  
PART NUMBERS AND OVERALL DIMENSIONS.
  - 6 CKT WITHOUT CAP ASSY IS SHOWN FOR ILLUSTRATION ONLY.
  - REFER TO PRODUCT SPEC PS-79107.
  - TAPE PACKAGING PER PK-70873-0259
  - CKT LOCATIONS ARE NUMBERED FROM LEFT TO  
RIGHT WHEN VIEWING ASSY FROM TOP WITH  
THE GATE RECESS ON THE RIGHT AS SHOWN.
  - MEASUREMENT IS TAKEN BETWEEN THE TANGENT OF  
THE TOE TO TIP OF THE TERMINAL.

**RECOMMENDED PCB PAD LAYOUT**

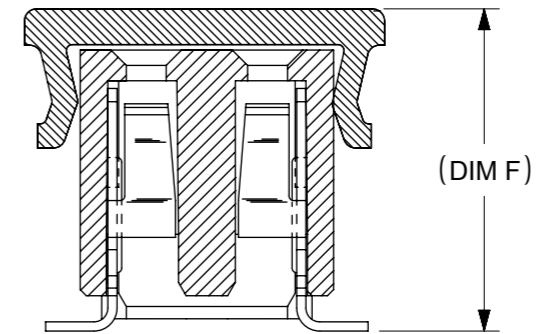
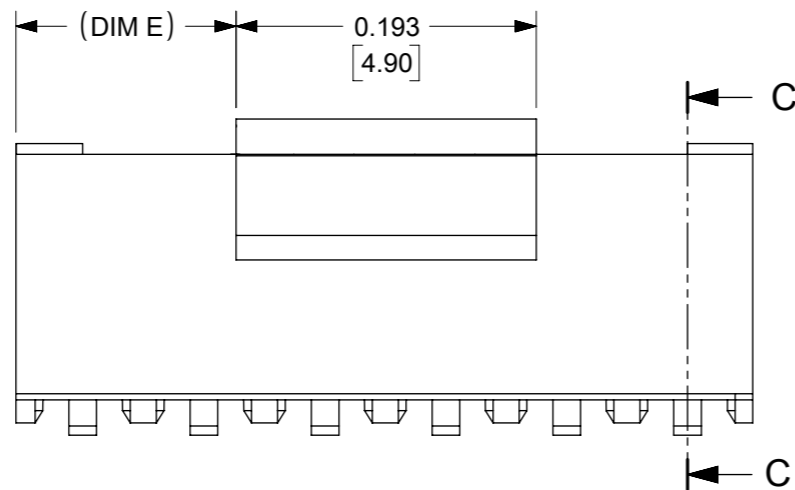
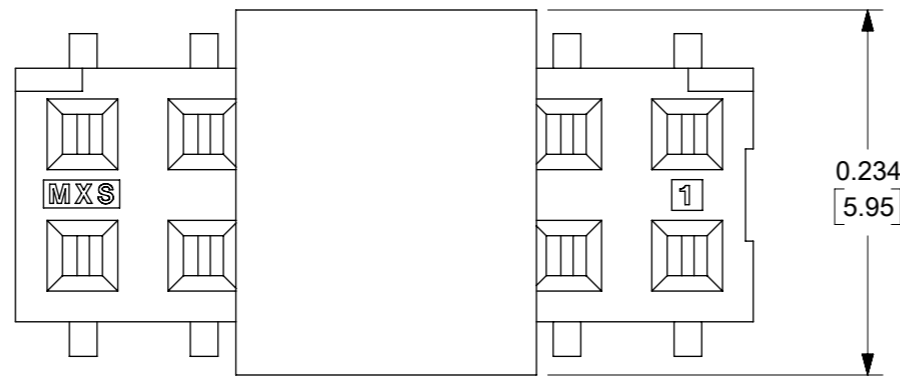
**PLATING OPTION:**

- 30µ" (0.75µm) MIN. GOLD PLATE IN SELECTED AREA AND  
75µ" (1.88µm) MIN. TIN PLATE IN SELECTED AREA OVER  
50µ" (1.25µm) MIN. NICKEL OVERALL.
- 15µ" (0.38µm) MIN. GOLD PLATE IN SELECTED AREA AND  
75µ" (1.88µm) MIN. TIN PLATE IN SELECTED AREA OVER  
50µ" (1.25µm) MIN. NICKEL OVERALL.
- 5µ" (0.13µm) MIN. GOLD PLATE IN SELECTED AREA AND  
75µ" (1.88µm) MIN. TIN PLATE IN SELECTED AREA OVER  
50µ" (1.25µm) MIN. NICKEL OVERALL.



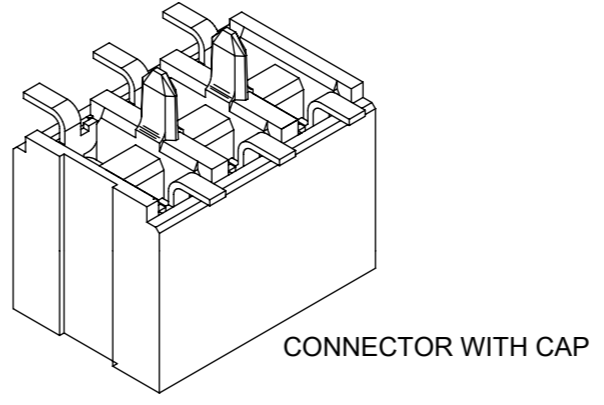
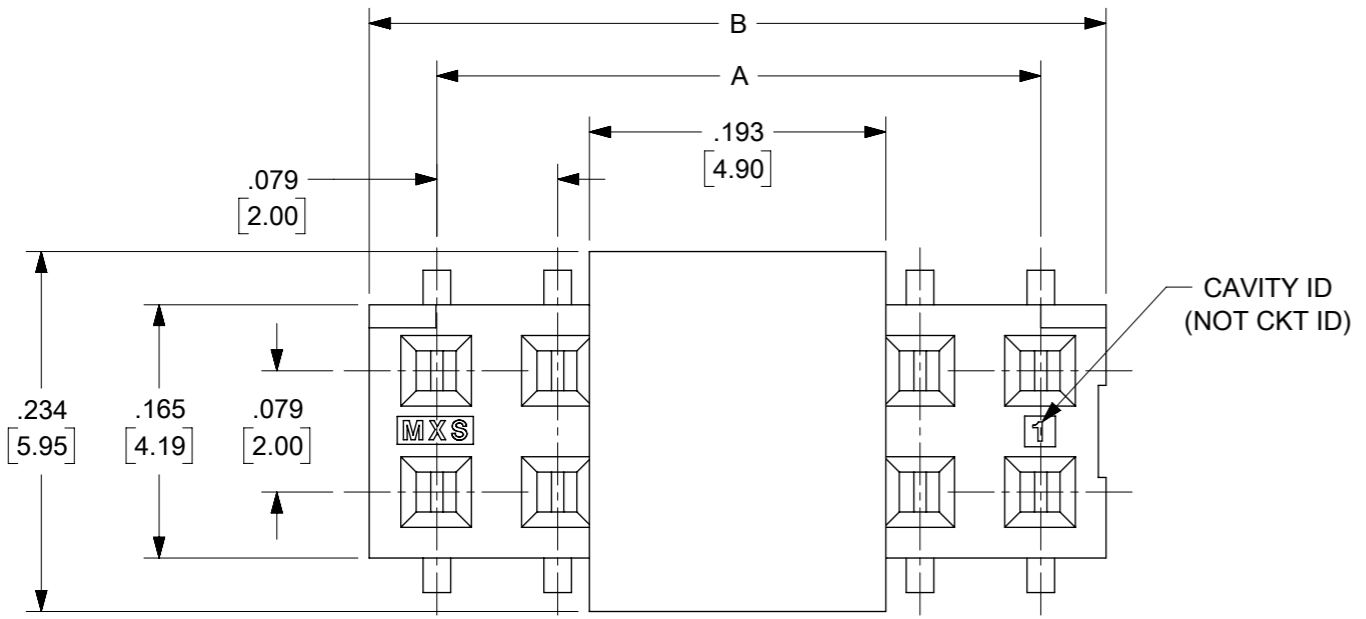
SYMBOLS	THIS DRAWING CONTAINS INFORMATION THAT IS PROPRIETARY TO MOLEX ELECTRONIC TECHNOLOGIES, LLC AND SHOULD NOT BE USED WITHOUT WRITTEN PERMISSION		CURRENT REV DESC:		<b>molex</b>
	mm	NTS			
▽ = 0	GENERAL TOLERANCES (UNLESS SPECIFIED)		EC NO: 716564		2MM DUAL ROW VERTICAL RECEPTACLE, SMT
▽ = 0			DRWN: DANUSA 2022/08/02		
▽ = 0			CHK'D: DANUSA 2022/08/03		PRODUCT CUSTOMER DRAWING
▽ = 0			APPR: MRAMAKRISHNA 2022/08/03		
▽ = 0			INITIAL REVISION:		DOCUMENT NUMBER <b>SD-79109-006</b>
▽ = 0			DRWN: DRWN BY XXXX/XX/XX		
▽ = 0			APPR: APPR BY XXXX/XX/XX		DOC TYPE PSD
▽ = 0			DRAFT WHERE APPLICABLE MUST REMAIN WITHIN DIMENSIONS		DOC PART 001
▽ = 0			THIRD ANGLE PROJECTION		REVISION A11
▽ = 0			DRAWING A3-SIZE		SHEET NUMBER 1 OF 5
▽ = 0			SERIES 79109		MATERIAL NUMBER
▽ = 0			CUSTOMER GENERAL MARKET		

CKT. SIZE	DIM A		DIM B		DIM C		DIM D		DIM E		DIM F		ITEM No.	PLATING OPTION SEE SHEET 1
	INCH	MM	INCH	MM	INCH	MM	INCH	MM	INCH	MM	INCH	MM		
4	.079	(2.00)	.165	(4.19)	-	-	.183	(4.65)	-	-	.207	(5.25)	79109-9104	1
8	.236	(6.00)	.322	(8.19)	-	-	.183	(4.65)	.065	(1.65)			79109-9504	2
10	.315	(8.00)	.401	(10.19)	-	-	.183	(4.65)	.104	(2.65)			79109-9208	2
12	.394	(10.00)	.480	(12.19)	-	-	.183	(4.65)	.144	(3.65)			79109-9210	2
14	.472	(12.00)	.559	(14.19)	-	-	.183	(4.65)	.183	(4.65)			79109-9212	2
													79109-9214	2

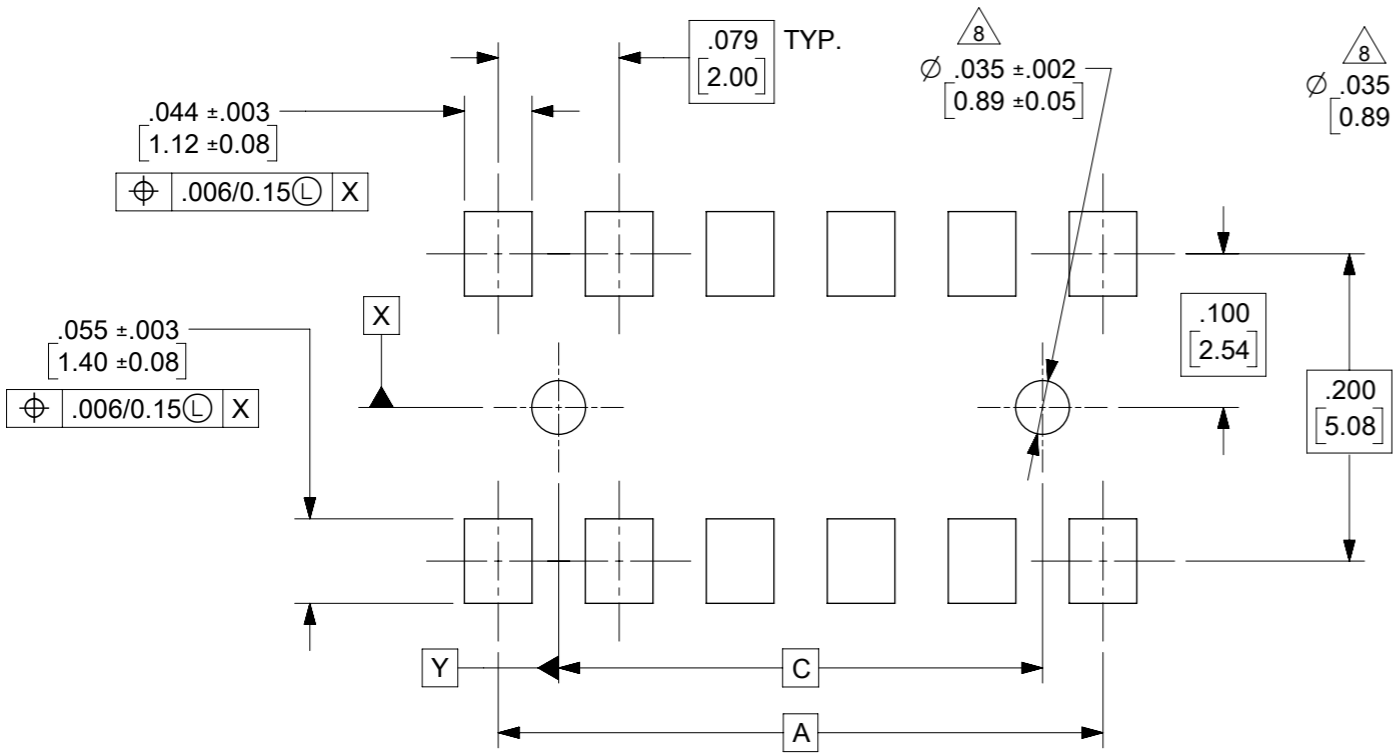
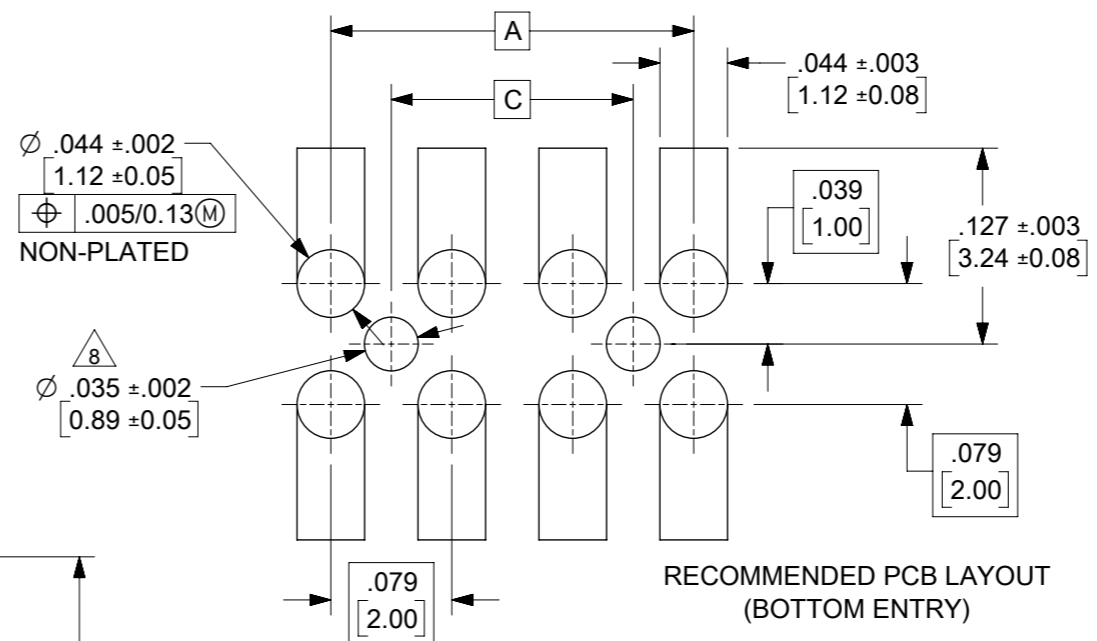
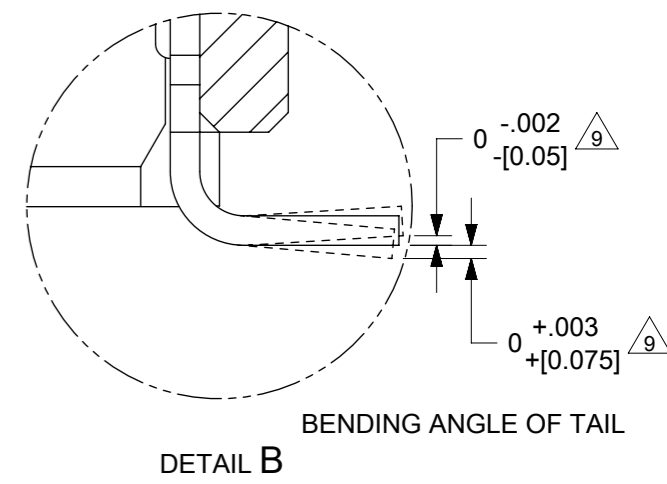
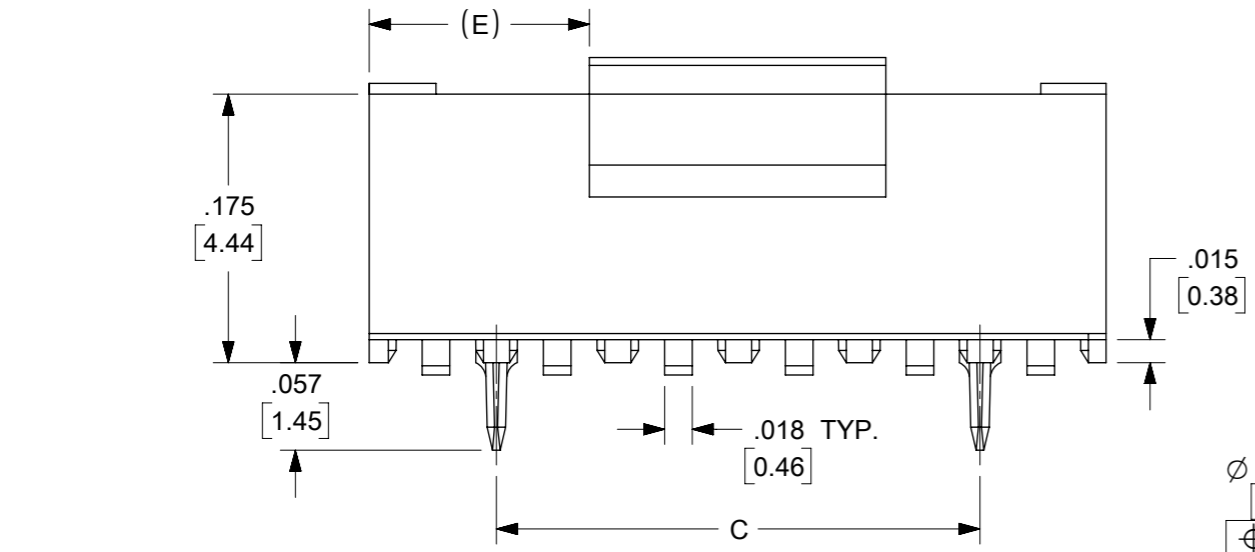
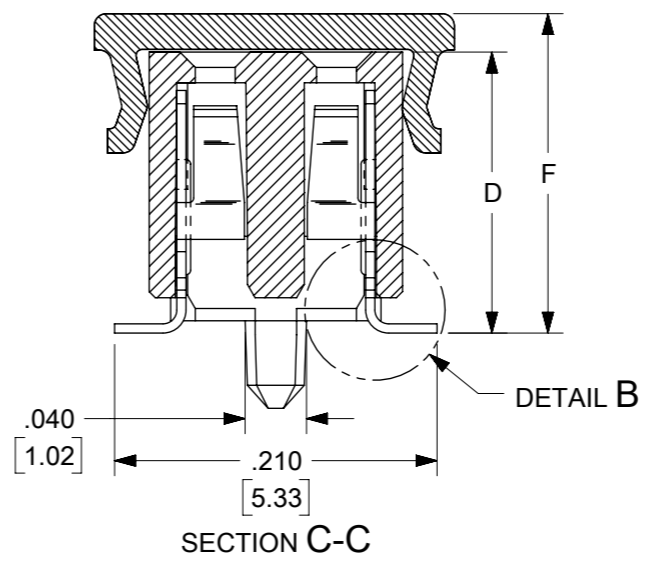


SECTION C-C

SYMBOLS		THIS DRAWING CONTAINS INFORMATION THAT IS PROPRIETARY TO MOLEX ELECTRONIC TECHNOLOGIES, LLC AND SHOULD NOT BE USED WITHOUT WRITTEN PERMISSION		CURRENT REV DESC:		molex	
▽ = 0	mm	SCALE	NTS	EC NO: 716564		2MM DUAL ROW	
▽ = 0	GENERAL TOLERANCES (UNLESS SPECIFIED)			DRWN: DANUSA 2022/08/02		VERTICAL RECEPTACLE, SMT	
▽ = 0		MM	INCH	CHK'D: DANUSA 2022/08/03		PRODUCT CUSTOMER DRAWING	
▽ = 0	4 PLACES ±			APPR: MRAMAKRISHNA 2022/08/03		DOCUMENT NUMBER	
▽ = 0	3 PLACES ±			INITIAL REVISION:		SD-79109-006	
▽ = 0	2 PLACES ±	0.25	± 0.015	DRWN: DRWN BY XXXX/XX/XX		DOC TYPE	
▽ = 0	1 PLACE ±	0.38	±	APPR: APPR BY XXXX/XX/XX		DOC PART	
▽ = 0	0 PLACES ±			ANGULAR TOL ± 3.0°		REVISION	
▽ = 0	DRAFT WHERE APPLICABLE MUST REMAIN WITHIN DIMENSIONS		THIRD ANGLE PROJECTION	DRAWING	SERIES	MATERIAL NUMBER	CUSTOMER
▽ = 0				A3-SIZE	79109	GENERAL MARKET	SHEET NUMBER
						001 A11	
						2 OF 5	



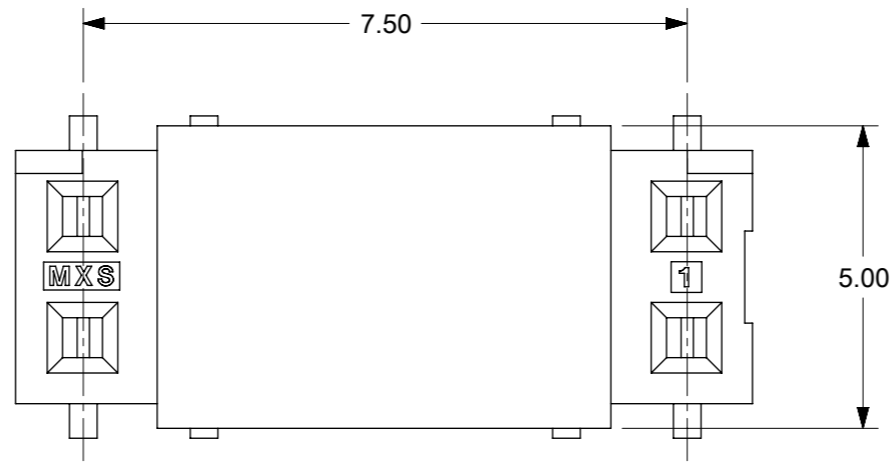
- NOTES:
- HOUSING MATERIAL : GLASS FILLED HIGH TEMP. THERMOPLASTIC. COLOR: BLACK.
  - TERMINAL MATERIAL: PHOSPHOR BRONZE
  - SEE APPROPRIATE SHEET FOR CIRCUIT SIZE, PART NUMBERS AND OVER-ALL DIMENSIONS.
  - FOR ILLUSTRATION, 6 & 12 CIRCUIT ASSEMBLY SHOWN.
  - REFER TO PRODUCT SPECIFICATION PS-79107.
  - TAPE PACKAGING PER PK-70873-0259.
  - SEE PSX-79107 FOR SUGGESTED BOTTOM ENTRY PIN LENGTHS.
  - .035 DIA. FOR PRESS FIT ONLY. USE .039±0.002 FOR ALIGNMENT PURPOSES ON PICK AND PLACE.
- △ MEASUREMENT IS TAKEN BETWEEN THE TANGENT OF THE TOE TO TIP OF THE TERMINAL.



THIS DRAWING CONTAINS INFORMATION THAT IS PROPRIETARY TO MOLEX ELECTRONIC TECHNOLOGIES, LLC AND SHOULD NOT BE USED WITHOUT WRITTEN PERMISSION										
SYMBOLS	DIMENSION UNITS		SCALE		CURRENT REV DESC:					
	mm		NTS							
GENERAL TOLERANCES (UNLESS SPECIFIED)										
▽ = 0	4 PLACES	±		MM	INCH	EC NO: 716564				
▽ = 0	3 PLACES	±				DRWN: DANUSA 2022/08/02				
▽ = 0	2 PLACES	±	0.25	±	0.015	CHK'D: DANUSA 2022/08/03				
▽ = 0	1 PLACE	±	0.38	±		APPR: MRAMAKRISHNA 2022/08/03				
⊠ = 0	0 PLACES	±				INITIAL REVISION:				
■ = 0	ANGULAR TOL		±	3.0°	DRAWING		SERIES	MATERIAL NUMBER	CUSTOMER	SHEET NUMBER
DRAFT WHERE APPLICABLE MUST REMAIN WITHIN DIMENSIONS		THIRD ANGLE PROJECTION		DRAWING		SERIES	MATERIAL NUMBER	CUSTOMER	SHEET NUMBER	
		A3-SIZE		79109		SD-79109-006		GENERAL MARKET		

**PARTS WITH PEG**

CKT. SIZE	DIM A		DIM B		DIM C		DIM D		DIM E		DIM F		ITEM No.	ASSEMBLY P/N WITH KAPTON TAPE	PLATING OPTION SEE SHEET 1
	INCH	MM	INCH	MM	INCH	MM	INCH	MM	INCH	MM	INCH	MM			
A11 6	.157	(4.00)	.164	(4.19)	.078	(2.00)		(4.65)	--	--	.207	(5.25)	79109-8625	-	2
8	.236	(6.00)	.322	(8.19)	.157	(4.00)	.183	(4.65)	.065	(1.65)			79109-9108	-	1
10	.315	(8.00)	.401	(10.19)	.236	(6.00)	.183	(4.65)	.104	(2.65)			79109-9110	-	2
18	.630	(16.00)	.716	(18.19)	.551	(14.00)	.183	(4.65)	.262	(6.65)			79109-9118	79109-9318	1
26	.945	(24.00)	1.03	(26.19)	.866	(22.00)	.183	(4.65)	.419	(10.64)			79109-9126	-	2



12CKT WITH KAPTON TAPE ILLUSTRATION

<b>SYMBOLS</b> DIMENSION UNITS: mm, NTS SCALE: NTS GENERAL TOLERANCES (UNLESS SPECIFIED): 4 PLACES ± 0.01 3 PLACES ± 0.01 2 PLACES ± 0.25 ± 0.015 1 PLACE ± 0.38 0 PLACES ± 0.01 ANGULAR TOL ± 3.0° DRAFT WHERE APPLICABLE MUST REMAIN WITHIN DIMENSIONS THIRD ANGLE PROJECTION DRAWING: A3-SIZE SERIES: 79109	THIS DRAWING CONTAINS INFORMATION THAT IS PROPRIETARY TO MOLEX ELECTRONIC TECHNOLOGIES, LLC AND SHOULD NOT BE USED WITHOUT WRITTEN PERMISSION		CURRENT REV DESC: EC NO: 716564 DRWN: DANUSA 2022/08/02 CHK'D: DANUSA 2022/08/03 APPR: MRAMAKRISHNA 2022/08/03				
	PRODUCT CUSTOMER DRAWING				2MM DUAL ROW VERTICAL RECEPTACLE, SMT		
	DOCUMENT NUMBER: SD-79109-006		DOC TYPE: PSD	DOC PART: 001	REVISION: A11		
	MATERIAL NUMBER:		CUSTOMER: GENERAL MARKET		SHEET NUMBER: 4 OF 5		

# BOARD TO BOARD (BTB) DISTANCE

RECEPTACLE	MATES WITH(HEADER)	BTB DISTANCE	PICTORIAL VIEW
79109	87831	7.15	
	87832	8.35	
	151117	7.15	
	151118	8.35	

SYMBOLS	THIS DRAWING CONTAINS INFORMATION THAT IS PROPRIETARY TO MOLEX ELECTRONIC TECHNOLOGIES, LLC AND SHOULD NOT BE USED WITHOUT WRITTEN PERMISSION		CURRENT REV DESC:		<b>molex</b>		
	DIMENSION UNITS	SCALE					
	mm	NTS	DRWN: DANUSA 2022/08/02		VERTICAL RECEPTACLE, SMT		
	GENERAL TOLERANCES (UNLESS SPECIFIED)		CHK'D: DANUSA 2022/08/03		PRODUCT CUSTOMER DRAWING		
	MM	INCH	APPR: MRAMAKRISHNA 2022/08/03		DOCUMENT NUMBER		
▽ = 0	4 PLACES ±	±	INITIAL REVISION:		SD-79109-006		
▽ = 0	3 PLACES ±	± 0.01	DRWN: DRWN BY XXXX/XX/XX		DOC TYPE		
▽ = 0	2 PLACES ±	± 0.015	APPR: APPR BY XXXX/XX/XX		DOC PART		
▽ = 0	1 PLACE ±	±	ANGULAR TOL ± 3.0°		REVISION		
□ = 0	DRAFT WHERE APPLICABLE MUST REMAIN WITHIN DIMENSIONS		THIRD ANGLE PROJECTION		SERIES		
▽ = 0			DRAWING		MATERIAL NUMBER		
			A3-SIZE		CUSTOMER		
			79109		GENERAL MARKET		
					SHEET NUMBER		
					5 OF 5		