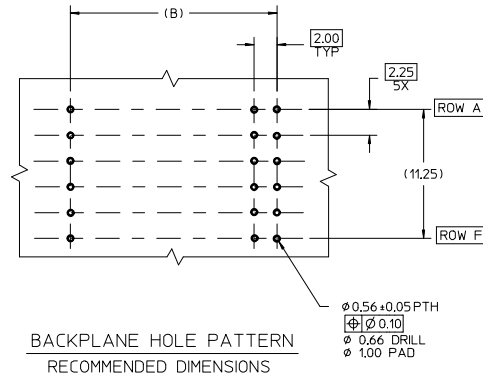
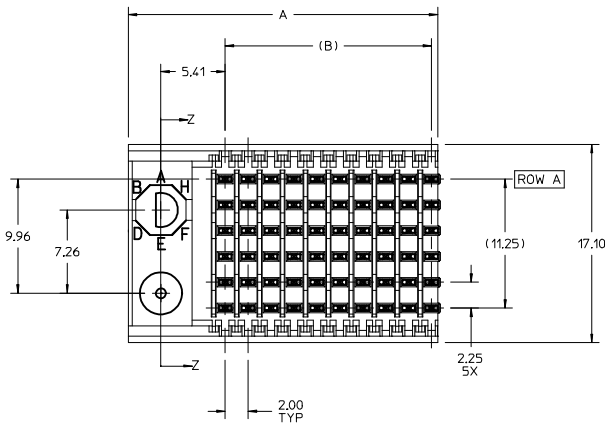


M/N 75195-()	-**0*	-**1*	-**2*	-**3*	-**4*	-**5*	-**6*	-**7*	-**8*
KEYING PIN ORIENTATION	NONE	A	B	C	D	E	F	G	H

75195 * * * *

PIN LENGTH/PLATING

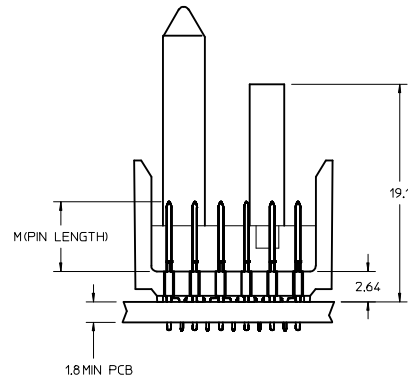
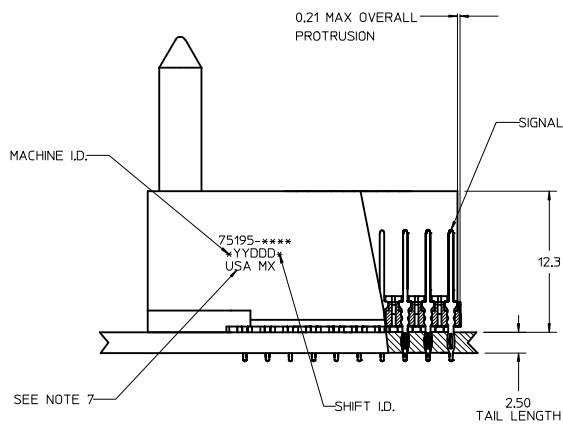
- 1 = 4.75mm, 10 or 30 MICROINCH GOLD
- 2 = 6.25mm, 10 or 30 MICROINCH GOLD
- 3 = 4.25mm, 10 or 30 MICROINCH GOLD
- 4 = 5.15mm, 10 or 30 MICROINCH GOLD
- 6 = 4.75mm, 50 MICROINCH GOLD
- 7 = 6.25mm, 50 MICROINCH GOLD
- 8 = 4.25mm, 50 MICROINCH GOLD
- 9 = 5.15mm, 50 MICROINCH GOLD



COLUMN/PLATING

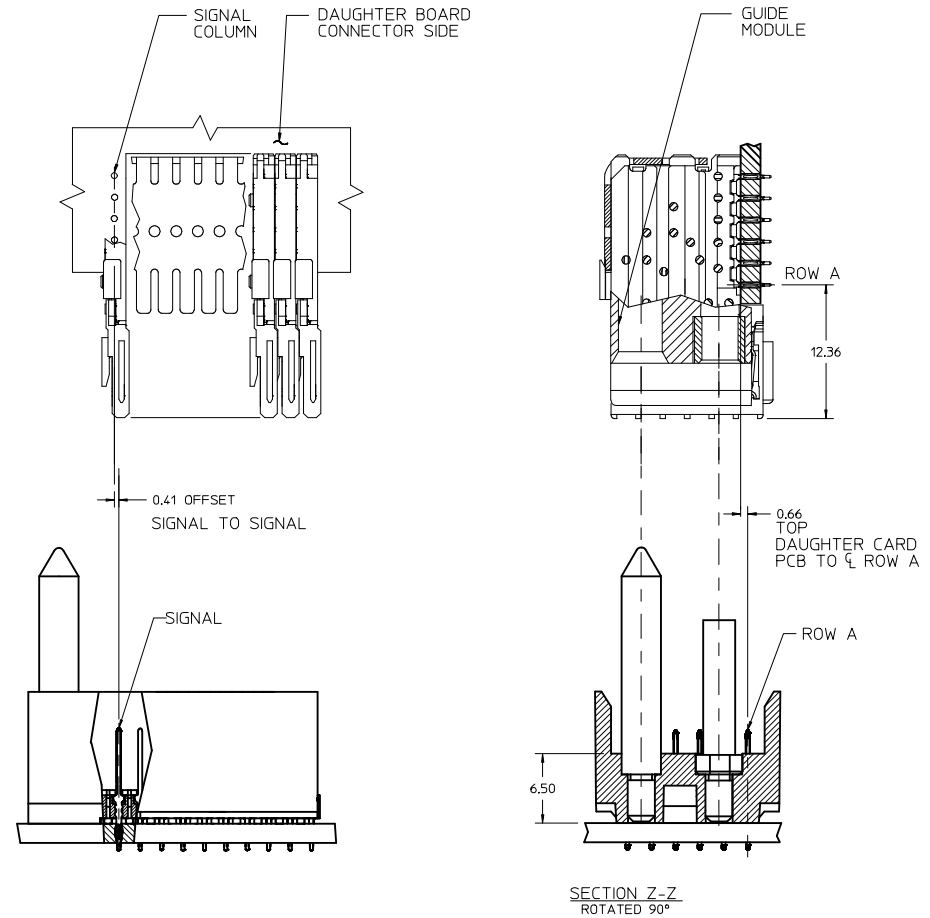
- 10 = 10 COLUMN MATTE TIN (FORMERLY TIN/LEAD)
- 25 = 25 COLUMN MATTE TIN (FORMERLY TIN/LEAD)
- 60 = 10 COLUMN MATTE TIN (MAPS)
- 75 = 25 COLUMN MATTE TIN (MAPS)
- 90 = 10 COLUMN MATTE TIN
- 85 = 25 COLUMN MATTE TIN

- NOTES:
- MATERIALS:
HOUSING - LIQUID CRYSTAL POLYMER (LCP),
GLASS-FILLED, UL 94V-0, COLOR: BLACK
SIGNAL PIN - COPPER ALLOY
 - FINISHES:
CONTACT AREA: SELECTIVE GOLD (Au)
PCB TAILS: SELECTIVE MATTE TIN (Sn)
NICKEL (Ni) OVERALL.
 - THIS PART CONFORMS TO MOLEX PRODUCT SPECIFICATION PS-74031-999.
 - FOR MIXED CONTACT LENGTHS CONSULT MOLEX FOR AVAILABILITY.
 - FOR SPECIFIC MATERIAL NUMBERS & MATING INFORMATION REFER TO SHEET 2.
 - PACKAGE PER PK-74058-003.
 - MARK PART WITH PART NUMBER & DATE CODE APPROXIMATELY WHERE SHOWN.
 - MAPS (MOLEX ADVANCED PLATING SYSTEM)



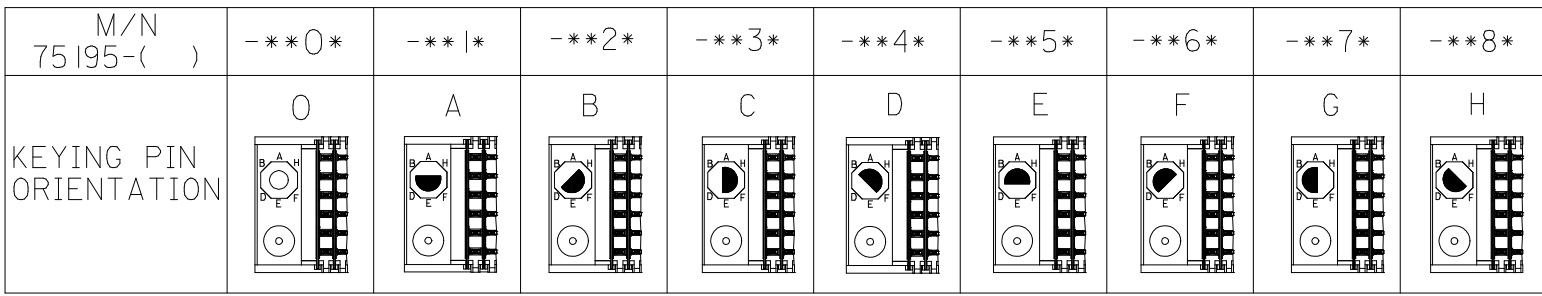
SEE SHEET 2 IEC NO: UCP2013-4047 DRAWN BY: DRWNSVANG01 CHECKED BY: CHYKMOLE APPROVED BY: APPRSMILLER DATE: 2013/03/21 DATE: 2013/03/21 DATE: 2013/05/20	QUALITY SYMBOLS	GENERAL TOLERANCES (UNLESS SPECIFIED)	DIMENSION STYLE	SCALE	DESIGN UNITS	THIRD ANGLE PROJECTION	
	∇=0 ∇=0 ∇=0	mm INCH 4 PLACES ± --- ± --- 3 PLACES ± --- ± --- 2 PLACES ± 0.25 ± --- 1 PLACE ± 0.38 ± --- 0 PLACE ± ± ---	MM ONLY	4:1	METRIC	DRAWN BY: JMELTON CHECKED BY: SDANNELLEY APPROVED BY: SMILLER DATE: 2010/05/18 DATE: 2010/05/18 DATE: 2010/07/14	TITLE: VHDM LITE 6 ROW, LF SIGNAL END BACKPLANE SALES DRAWING MATERIAL NO: SEE TABLE DOCUMENT NO: SD-75195-001
	ANGULAR ±1/2° DRAFT WHERE APPLICABLE MUST REMAIN WITHIN DIMENSIONS	SHEET NO: 1 OF 2 THIS DRAWING CONTAINS INFORMATION THAT IS PROPRIETARY TO MOLEX INCORPORATED AND SHOULD NOT BE USED WITHOUT WRITTEN PERMISSION					

PART NUMBER	COLUMN	NUMBER OF SIGNAL PIN	A	B	M	GOLD THICKNESS MICROMETER	MATTE TIN THICKNESS MICROMETER
75195-60*1	10	60	27.00	18.00	4.75	0.25 MAPS	0.76-152
75195-*0*1						0.76	
75195-*0*6						1.27	
75195-75*1	25	150	57.00	48.00	4.75	0.25 MAPS	
75195-*5*1						0.76	
75195-*5*6						1.27	
75195-60*2	10	60	27.00	18.00	6.25	0.25 MAPS	
75195-*0*2						0.76	
75195-*0*7						1.27	
75195-75*2	25	150	57.00	48.00	6.25	0.25 MAPS	
75195-*5*2						0.76	
75195-*5*7						1.27	
75195-60*3	10	60	27.00	18.00	4.25	0.25 MAPS	
75195-*0*3						0.76	
75195-*0*8						1.27	
75195-75*3	25	150	57.00	48.00	4.25	0.25 MAPS	
75195-*5*3						0.76	
75195-*5*8						1.27	
75195-60*4	10	60	27.00	18.00	5.15	0.25 MAPS	
75195-*0*4						0.76	
75195-*0*9						1.27	
75195-75*4	25	150	57.00	48.00	5.15	0.25 MAPS	
75195-*5*4						0.76	
75195-*5*9						1.27	



REV. DIMENSIONS IN COL. A EC NO: UCP2013-4047 DRAWN BY: 2013/03/21 CHYKSHOLFE 2013/03/21 APPROVED BY: 2013/05/20 APPR: SMILLER	QUALITY SYMBOLS	GENERAL TOLERANCES (UNLESS SPECIFIED)	DIMENSION STYLE	SCALE	DESIGN UNITS	THIRD ANGLE PROJECTION
	∇=0 ∇=0 ∇=0	4 PLACES ± mm 3 PLACES ± INCH 2 PLACES ± 0.25 1 PLACE ± 0.38 0 PLACE ±	MM ONLY	4:1	METRIC	DRAWN BY: JMELTON CHECKED BY: SDANNELLEY APPROVED BY: SMILLER DATE: 2010/05/18 DATE: 2010/05/18 DATE: 2010/07/14
	ANGULAR ±1/2° DRAFT WHERE APPLICABLE MUST REMAIN WITHIN DIMENSIONS	MATERIAL NO. SEE TABLE	TITLE VHDM LITE 6 ROW, LF SIGNAL END BACKPLANE SALES DRAWING	DOCUMENT NO. SD-75195-001	SHEET NO. 2 OF 2	
	THIS DRAWING CONTAINS INFORMATION THAT IS PROPRIETARY TO MOLEX INCORPORATED AND SHOULD NOT BE USED WITHOUT WRITTEN PERMISSION					

10 9 8 7 6 5 4 3 2 1



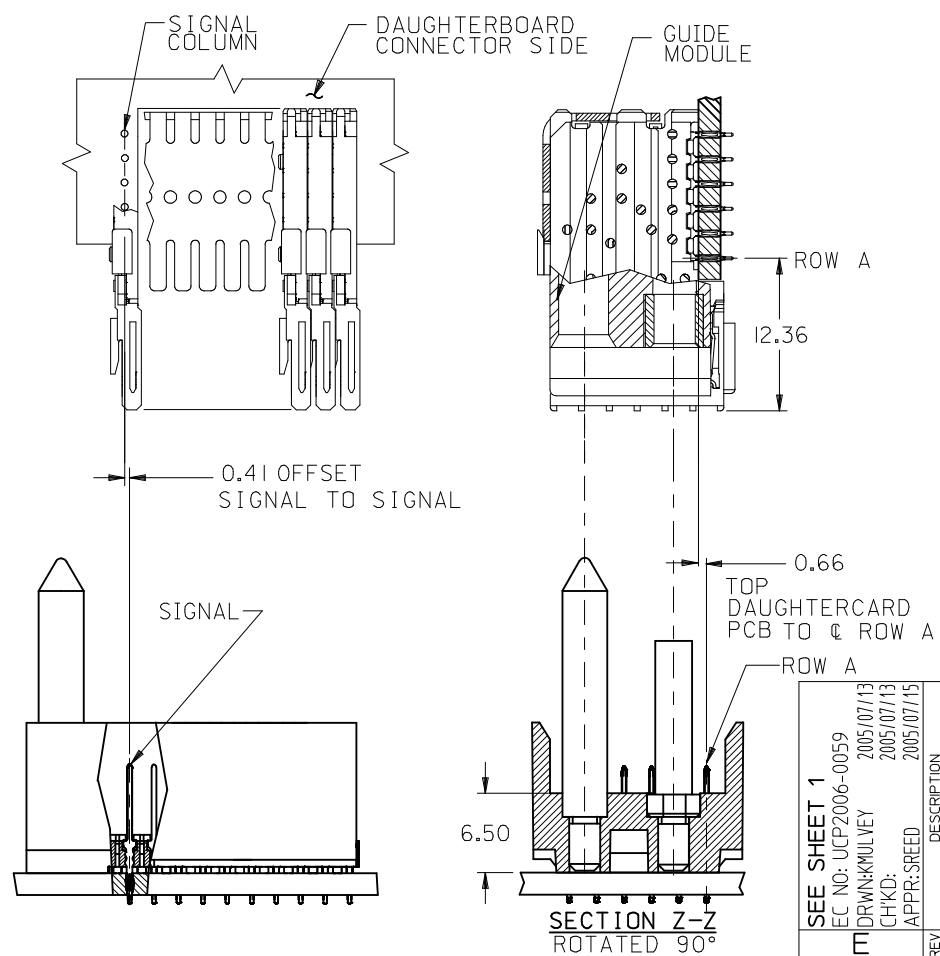
75195 * * * *

COLUMN/PLATING

10 = 10 COLUMN TIN/LEAD
25 = 25 COLUMN TIN/LEAD
90 = 10 COLUMN MATTE TIN
85 = 25 COLUMN MATTE TIN

CONTACT LOAD (PIN HEIGHT)

1 = 4.75
2 = 6.25
3 = 4.25
4 = 5.15



PART NUMBER	COLUMN	NUMBER OF SIGNAL PIN	NUMBER OF SHIELD	A	B	M	Au (um) THICKNESS	Sn (um) THICKNESS
75195-0*1	10	60	0	27.00	18.00	4.75	0.76	0.76-1.52
75195-5*1	25	150	0	57.00	48.00		---	
75195-0*2	10	60	0	27.00	18.00	6.25	0.76	
75195-5*2	25	150	0	57.00	48.00		---	
75195-0*3	10	60	0	27.00	18.00	4.25	0.76	
75195-5*3	25	150	0	57.00	48.00		---	
75195-0*4	10	60	0	27.00	18.00	5.15	0.76	
75195-5*4	25	150	0	57.00	48.00		---	

tb_frame_B_P_ME_T
Rev. D 2004/04/02

9 8 7 6 5 4 3 2 1

SEE SHEET 1
EC NO: UCP2006-0059
DRAWN: K MULVEY 2005/07/13
CHKD: 2005/07/13
APPR: SREED 2005/07/15

QUALITY SYMBOLS
▽=0
▽=0

GENERAL TOLERANCES (UNLESS SPECIFIED)

	mm	INCH
4 PLACES	± ---	± ---
3 PLACES	± ---	± ---
2 PLACES	± ---	± ---
1 PLACE	± ---	± ---

ANGULAR ±1/2°

DRAFT WHERE APPLICABLE
MUST REMAIN
WITHIN DIMENSIONS

DIMENSION STYLE
MM ONLY

DRAWN BY	DATE
MBANDURA	2003/01/06

CHECKED BY	DATE
NMARTIN	2003/01/06

APPROVED BY	DATE
CBIXLER	2003/01/06

MATERIAL NO. SEE CHART

SCALE 2.5:1

DESIGN UNITS METRIC

THIRD ANGLE PROJECTION

VHDM LITE 6 ROW
SIGNAL END BACKPLANE
SALES ASSEMBLY

molex MOLEX INCORPORATED

DOCUMENT NO. SD-75195-001

SHEET NO. 2 OF 2

THIS DRAWING CONTAINS INFORMATION THAT IS PROPRIETARY TO MOLEX INCORPORATED AND SHOULD NOT BE USED WITHOUT WRITTEN PERMISSION