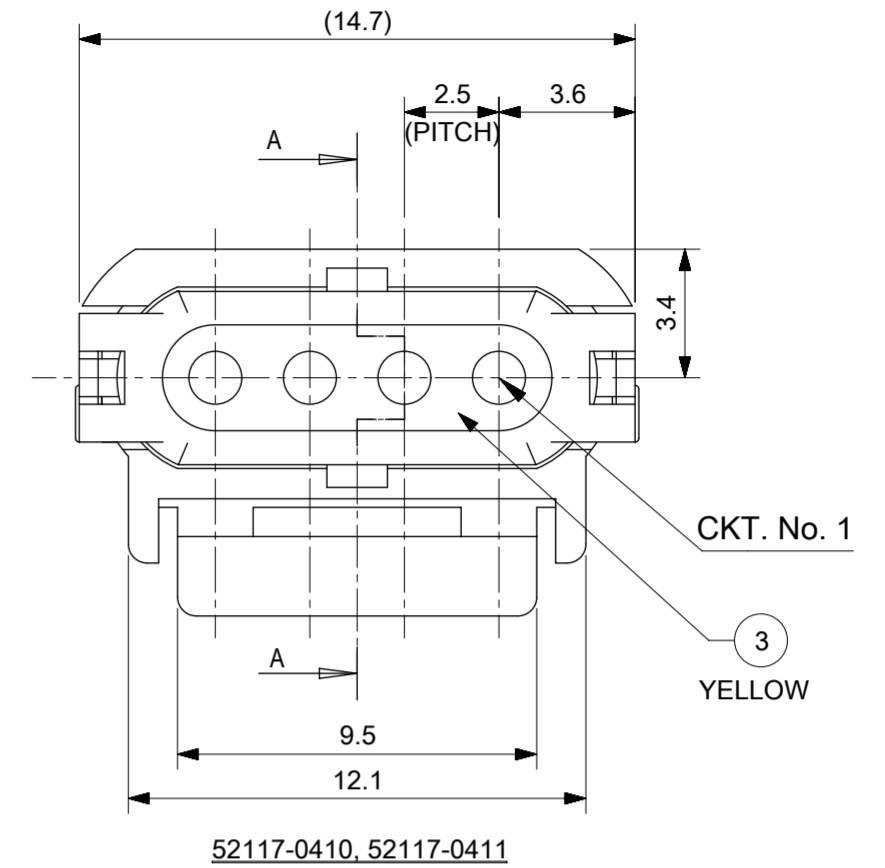
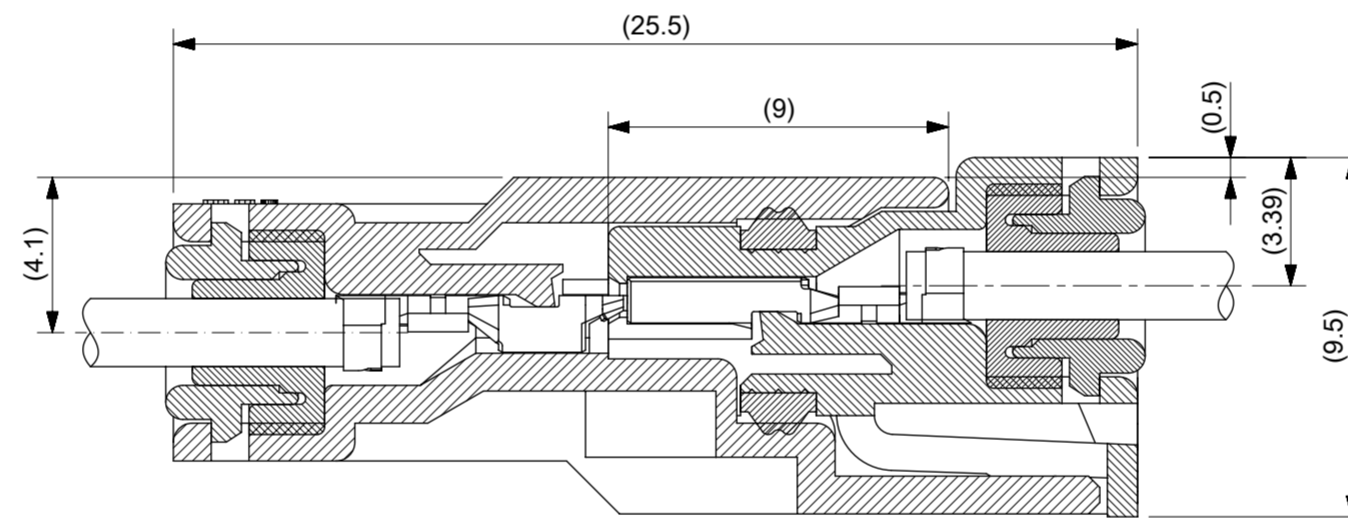
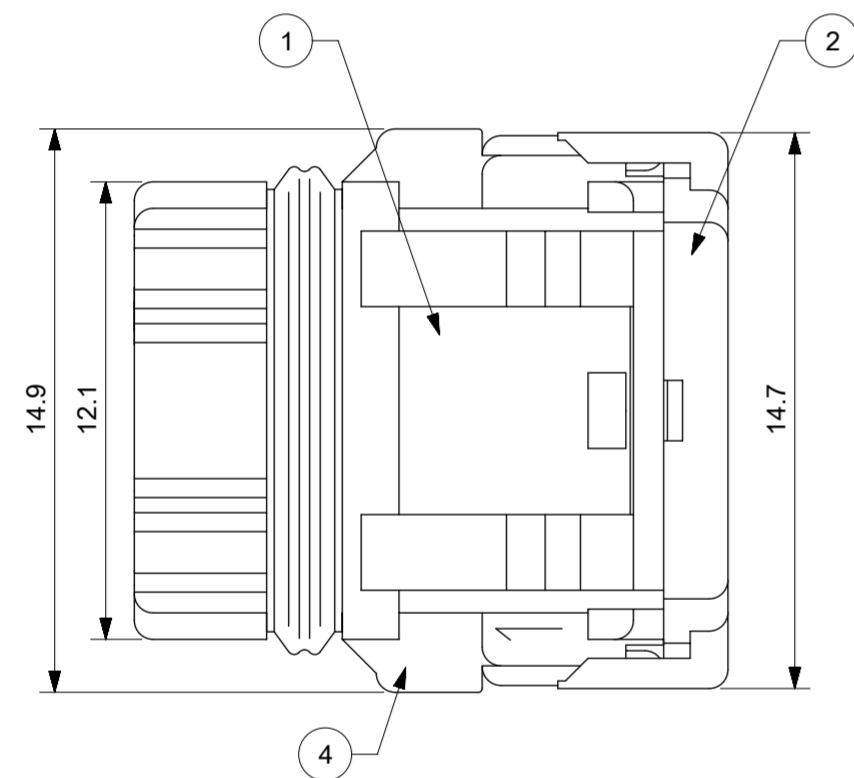


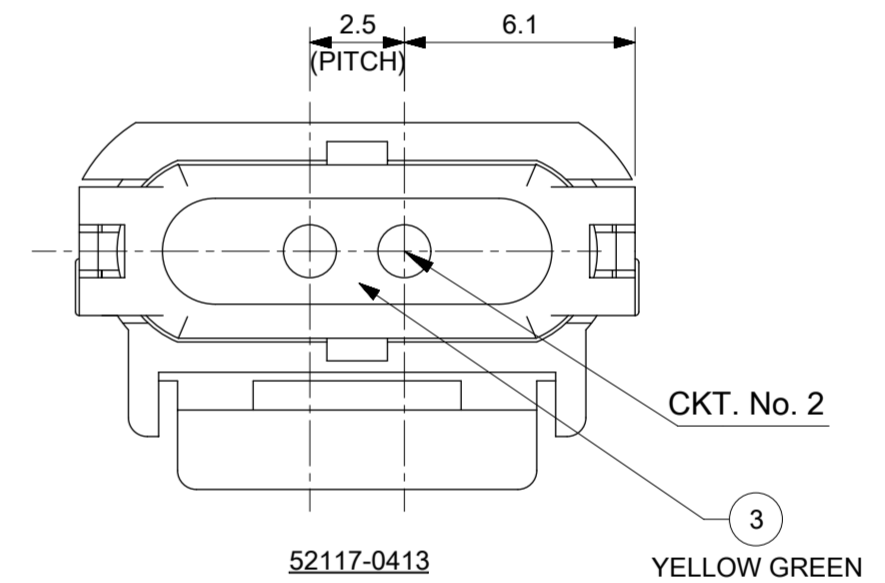
端子装着時の断面 A-A
SECTION A-A TERMINAL ASSEMBLY DRAWING



52117-0410, 52117-0411



嵌合状態図
FULLY MATED CONDITION



52117-0413

注記

NOTE

- 適合端子 : 50039-8*00
APPLICABLE TERMINAL:50039-8*00
- 嵌合相手 : 52116-041*
MATES WITH:52116-041*
- 製品仕様書 : PS-52117-008
PRODUCT SPECIFICATION:PS-52117-008
- 取扱説明書 : AS-52117-001
APPLICATION SPECIFICATION : AS-52117-001
- ELV及びRoHS適合品
ELV AND RoHS COMPLIANT

黒	BLACK	52117-0413	2
黒	BLACK	52117-0411	4
白	WHITE	52117-0410	4
色	COLOR	MATERIAL NO.	極数 CKT

シリコンゴム SILICONE	黄 YELLOW	RING SEAL	④
シリコンゴム SILICONE	図参照 SEE DRAWING	WIRE END SEAL	③
ポリエステル (15%G.F.) POLYESTER	表参照 SEE CHART	CAP	②
ポリエステル (15%G.F.) POLYESTER	表参照 SEE CHART	REC. HOUSING	①
材料 MATERIAL	色 COLOR	名称 TITLE	
構成部品 COMPONENTS			

DOCUMENT STATUS	P1	RELEASE DATE	2018/04/20	09:04:07
-----------------	----	--------------	------------	----------

THIS DRAWING CONTAINS INFORMATION THAT IS PROPRIETARY TO MOLEX ELECTRONIC TECHNOLOGIES, LLC AND SHOULD NOT BE USED WITHOUT WRITTEN PERMISSION		CURRENT REV DESC:					
DIMENSION UNITS	SCALE	EC NO: 174474					
mm	5:1	DRWN: RHORI 2018/04/04		2.5 WATERPROOF CONN. REC. HSG ASSY W/POSITIVE LOCK			
GENERAL TOLERANCES (UNLESS SPECIFIED)		CHK'D: HKOMATSU 2018/04/13					
10 UNDER ±0.2		APPR: TOSADA 2018/04/20		PRODUCT CUSTOMER DRAWING			
10 OVER 30 UNDER ±0.25		INITIAL REVISION:					
30 OVER ±0.3		DRWN: SINAKA 2011/12/13		DOCUMENT NUMBER: SD-52117-002			
ANGULAR ±3 °		APPR: MAYAMAMOTO 2012/01/18					
DRAFT WHERE APPLICABLE MUST REMAIN WITHIN DIMENSIONS		THIRD ANGLE PROJECTION	DRAWING	SERIES	MATERIAL NUMBER	CUSTOMER	SHEET NUMBER
			A2-SIZE	52117	SEE CHART	GENERAL MARKET	1 OF 1