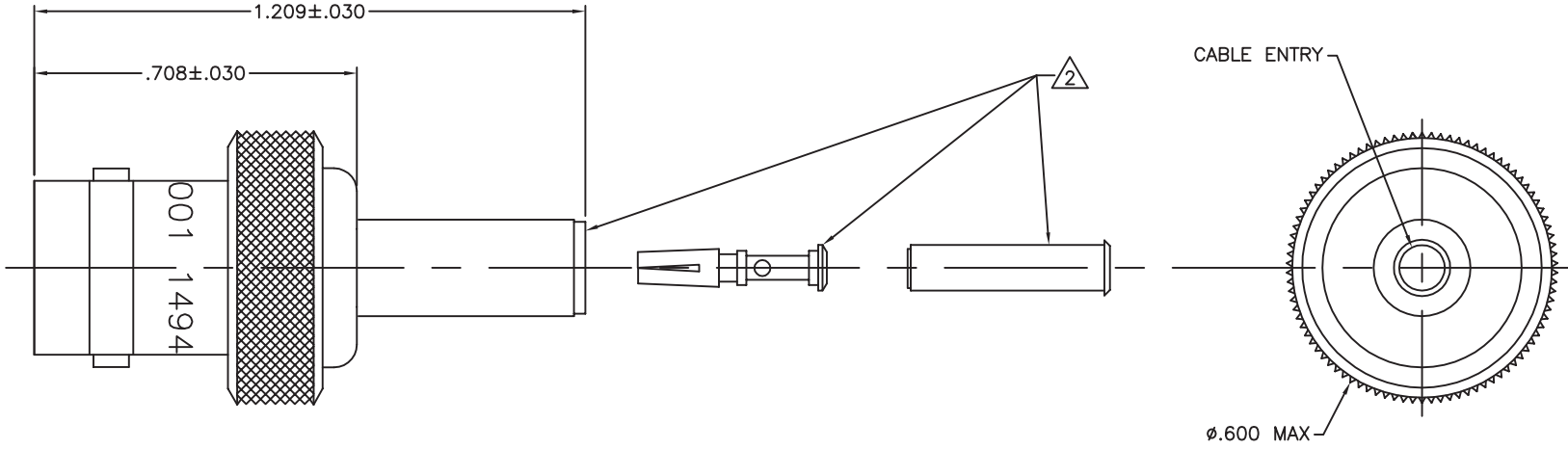


THE INFORMATION CONTAINED HEREON IS THE PROPERTY OF EMERSON NETWORK POWER, RECEIPT, POSSESSION OR TRANSMITTAL OF THIS DRAWING DOES NOT LICENSE OR IMPLY ANY RIGHT TO USE, SELL, PROTOTYPE OR MANUFACTURE FROM THIS INFORMATION. NO REPRODUCTIONS OR PUBLICATION OF THIS INFORMATION, IN WHOLE OR IN PART, SHALL BE MADE WITHOUT WRITTEN AUTHORIZATION FROM EMERSON NETWORK POWER.

DASH NO	CABLES ACCOMMODATED	ASSEMBLE PER
-001	RG-178, -196	TAI-D118
-004	RG-179, -187	
-008	RG-195, -180 421-111 ESSEX	
-009	8218 BELDEN YR23023 BELDEN 21-597 ESSEX	
-011	RG-58, -141, -303 21-537 ESSEX	
-012	RG-55, -142, -223 RG-400	
-013	RG-59	
-013A	TCC-75-2	
-014	8212 BELDEN	
-025	734A, LUCENT	
-026	735A, LUCENT	

REVISIONS			
REV	DESCRIPTION	DATE	APPROVED
J	ECO 54114	10/16/12	C. MONAHAN
K	ECO 54509	1/24/13	C. MONAHAN



UCJ220-001 SHOWN

NOTES: UNLESS OTHERWISE SPECIFIED.

1. FINISH: NICKEL
2. SOCKET CONTACT, SLEEVE AND CRIMP SLEEVE ARE SUPPLIED LOOSE.
3. RF COAXIAL BNC FULL CRIMP CABLE RECEPTACLE (EQUIV MIL-CAT "D").
4. IF PLASTIC STRAIN RELIEF REQUIRED, ADD SUFFIX "BT" TO MODEL NO. (ONLY AVAILABLE WITH -011, 013 AND -013A)
5. FOR CABLE GROUP -011 SUPPLY 1 EA ACC011; FOR CABLE GROUPS -013 AND -013A SUPPLY 1 EA ACC013; MAY BE ASSEMBLED TO CABLE/CONNECTOR ASSY USING 3M SCOTCHGRIP NO. 1099 ADHESIVE OR EQUIV.

UNLESS OTHERWISE SPECIFIED DIMENSIONS ARE IN INCHES TOLERANCES ARE:
 FRACTIONS .XX ± .020 ± .002
 DECIMALS .XXX ± .005
 ANGLES .0001 ±



SIGNATURES		DATE		UCJ220-XXX	
DRAWN BY C. WALLACE		7/8/13		BNC CABLE JACK, TOOL CRIMP	
CHECKED BY C. MONAHAN		7/9/13		SIZE C	CAGE CODE 14949
APPROVED BY C. MONAHAN		7/9/13		MODEL NO. UCJ220-XXX	REV K
APPROVED BY		SCALE N/A	START DATE 11/9/90	SHEET 1 OF 1	