



TAI-SAW TECHNOLOGY CO., LTD.

No. 3, Industrial 2nd Rd., Ping-Chen Industrial District,
Taoyuan, 324, Taiwan, R.O.C.

TEL: 886-3-4690038 FAX: 886-3-4697532

E-mail: tstsales@mail.taisaw.com Web: www.taisaw.com

Product Specifications Approval Sheet


Product Description: SAW Filter 1567.5 MHz SMD 3.0x3.0 mm

TST Part No.: TA1147A

Customer Part No.: _____

Customer signature required
Company: _____
Division: _____
Approved by : _____
Date: _____

Checked by: _____ David Chang 張閱智

Approved by: _____ Francis Chen 

Date: _____ 2010/08/23

1. Customer signed back is required before TST can proceed with sample build and receive orders.
2. Orders received without customer signed back will be regarded as agreement on the specifications.
3. Any specifications changes must be approved upon by both parties and a new revision of specifications shall be released to reflect the changes.



TAI-SAW TECHNOLOGY CO., LTD.

No. 3, Industrial 2nd Rd., Ping-Chen Industrial District,
Taoyuan, 324, Taiwan, R.O.C.

TEL: 886-3-4690038 FAX: 886-3-4697532

E-mail: tstsales@mail.taisaw.com Web: www.taisaw.com

SAW Filter 1567.5 MHz

MODEL NO.: TA1147A

REV. NO.:1

A. MAXIMUM RATING:

1. Input Power Level: 10 dB_m
2. DC voltage: 3 V
3. Operating Temperature: -40°C to 85°C
4. Storage Temperature: -40°C to +85°C

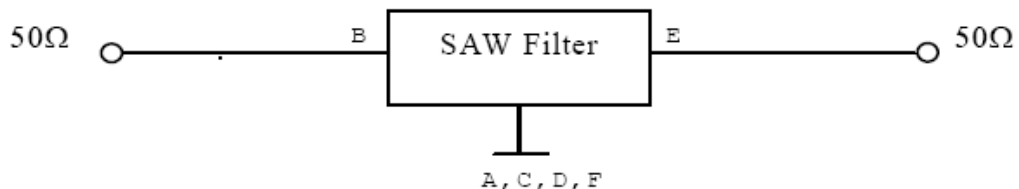
RoHS Compliant
Lead free
Lead-free soldering

B. CHARACTERISTICS:

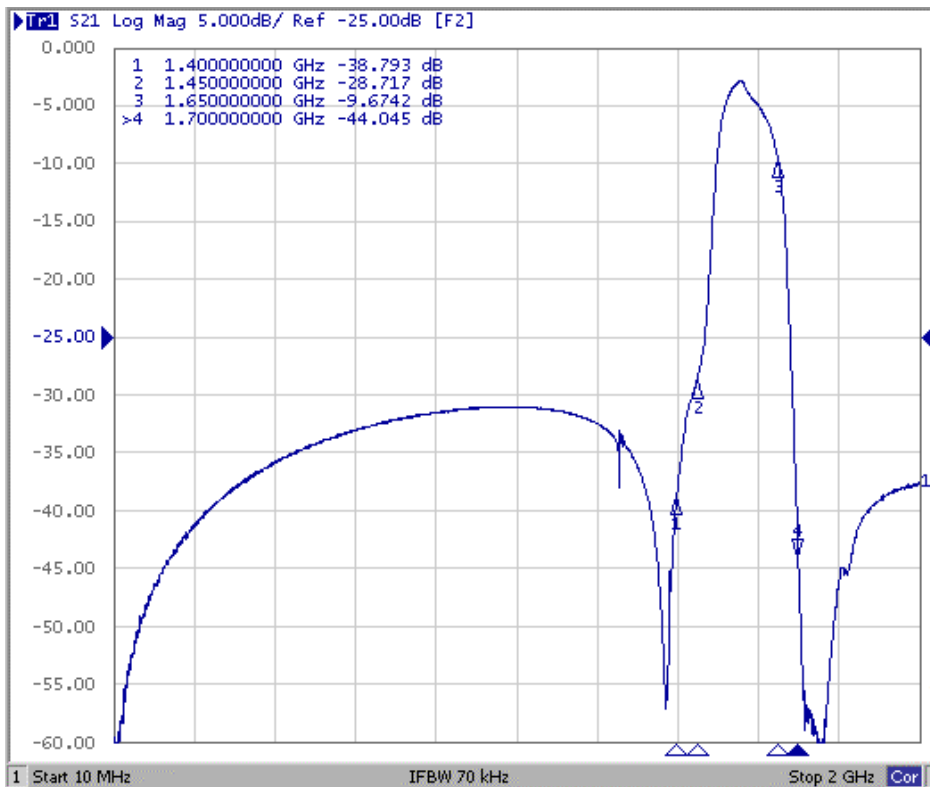
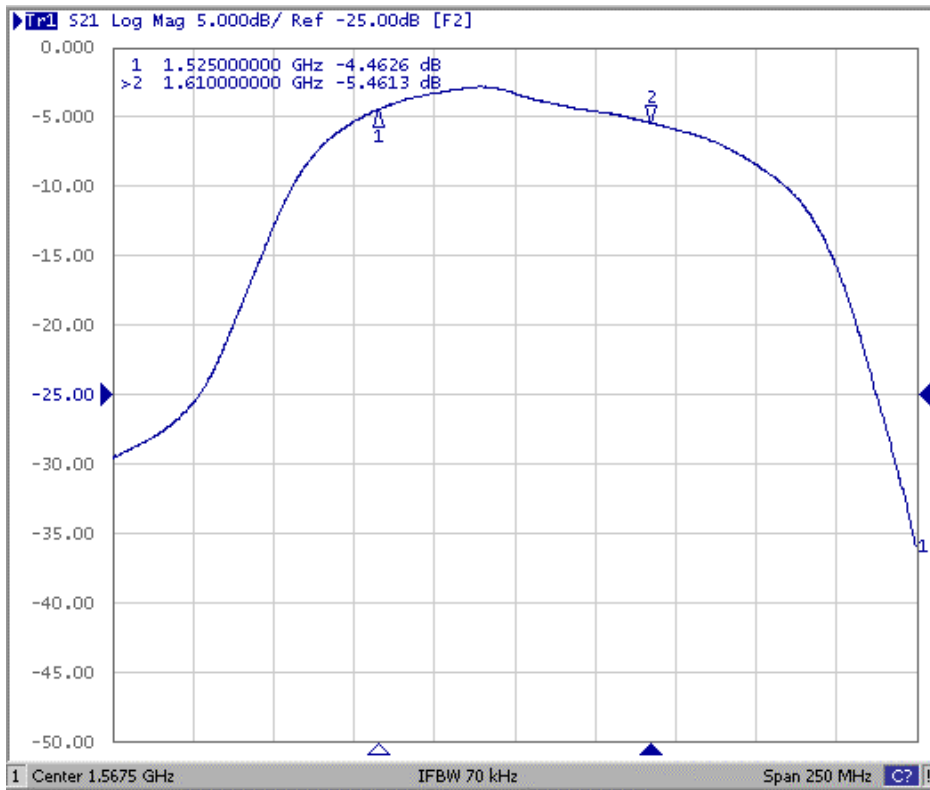
Item	Unit	Min.	Typ.	Max.
Center frequency Fc	MHz	-	1567.5	-
Insertion loss 1525~1610 MHz IL	dB	-	5.5	7
Pass Band Ripple 1525~1610 MHz	dB	-	2.8	5
Group Delay Variation 1525~1610 MHz	ns	-	7	20
Return loss 1525~1610 MHz	dB	8	11	-
Attenuation (Reference level from 0dB)				
10 ~ 1400 MHz	dB	25	31	-
1400 ~ 1450 MHz	dB	20	29	-
1650 ~ 1700 MHz	dB	5	9	-
1700 ~ 2000 MHz	dB	35	37	-
Source impedance Zs	Ω	-	50	-
Load impedance ZL	Ω	-	50	-

C. MEASUREMENT CIRCUIT:

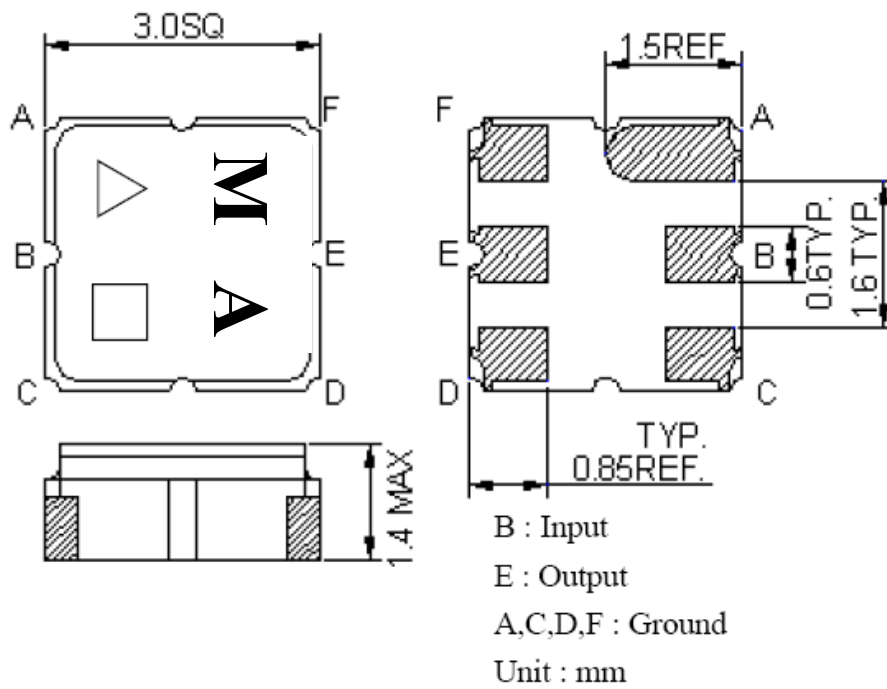
HP Network analyzer



D. TRANSFER FUNCTION :



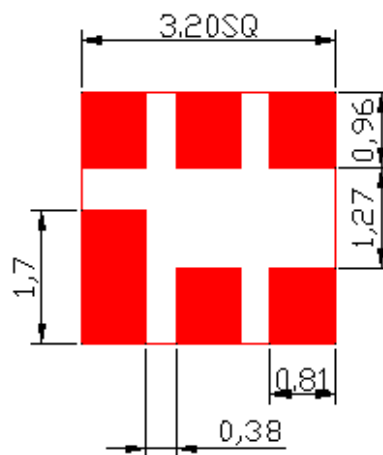
E.OUTLINE DRAWING:



△ : Year Code (2006->6, ..., 2009->9)

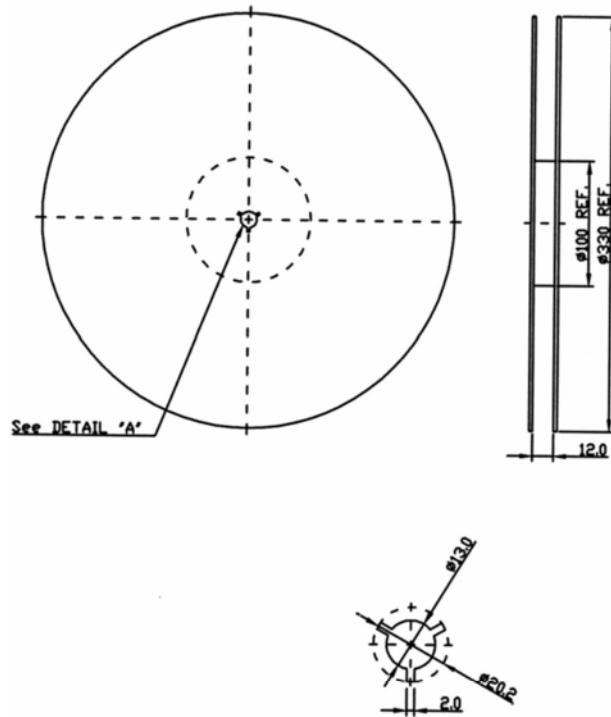
□ : Date Code (W01->A,W02->B,...W27->a,...,W52->z)

F.PCB FOOTPRINT:



G. PACKING:

1. REEL DIMENSION



2. TAPE DIMENSION

