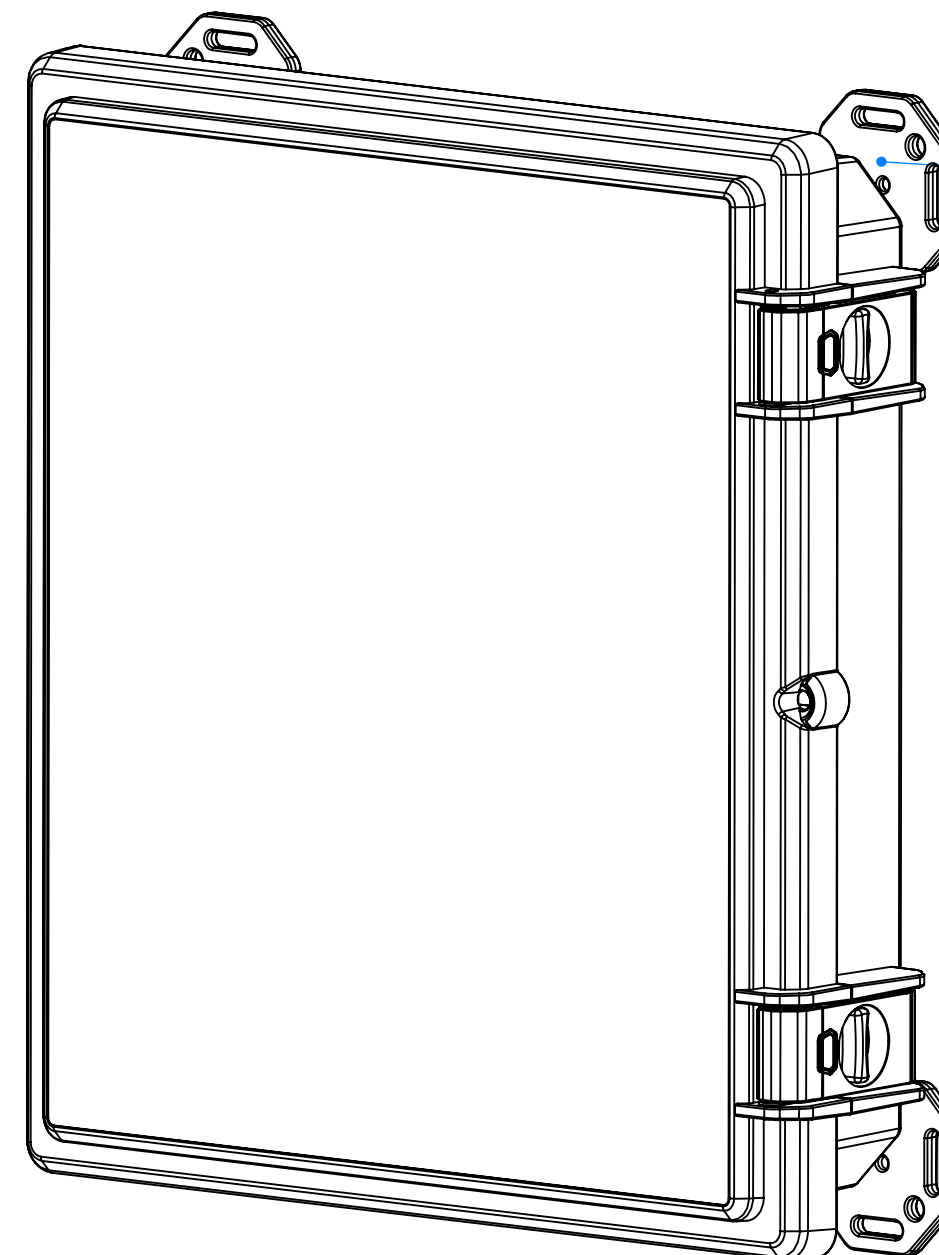
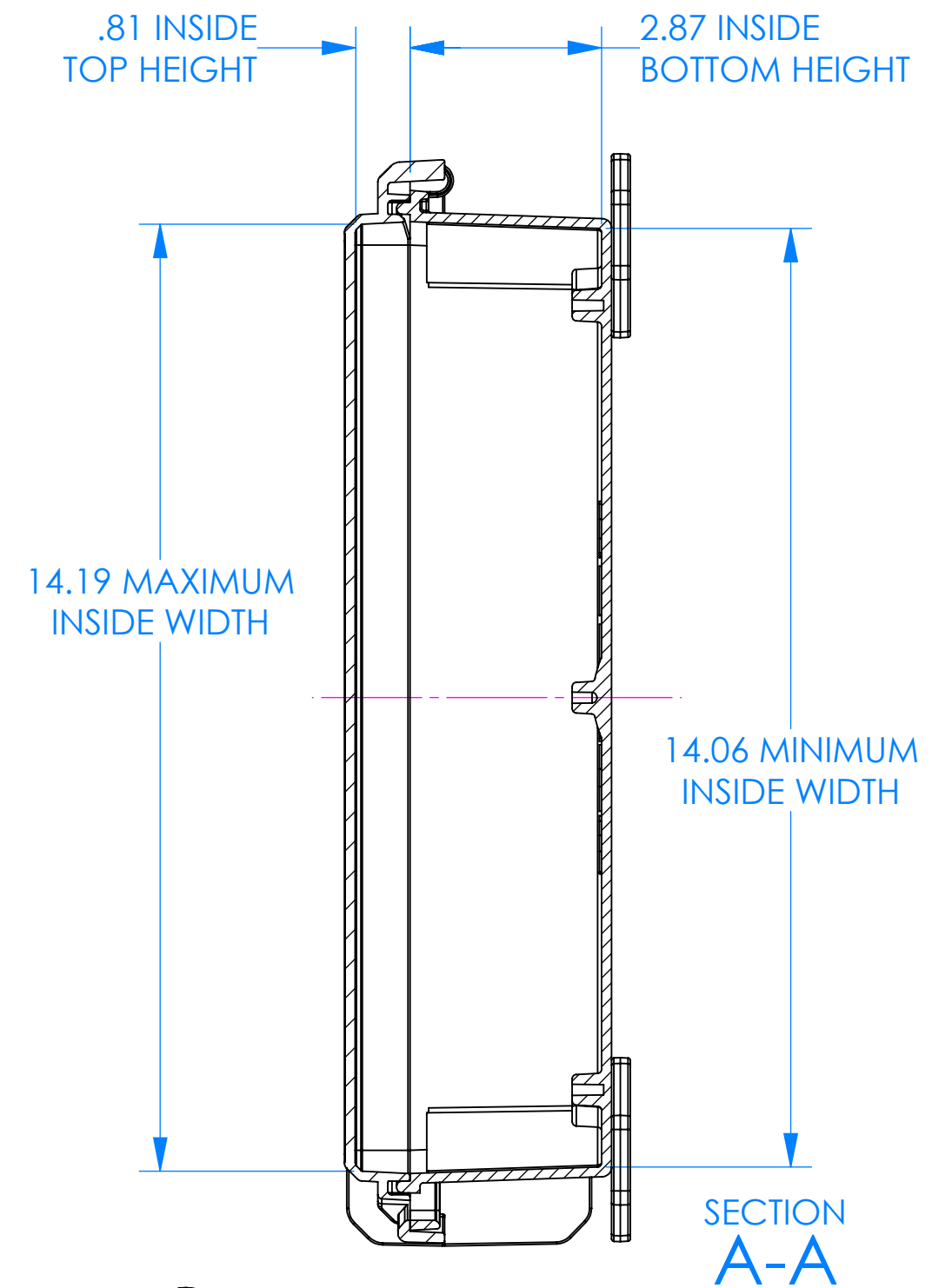
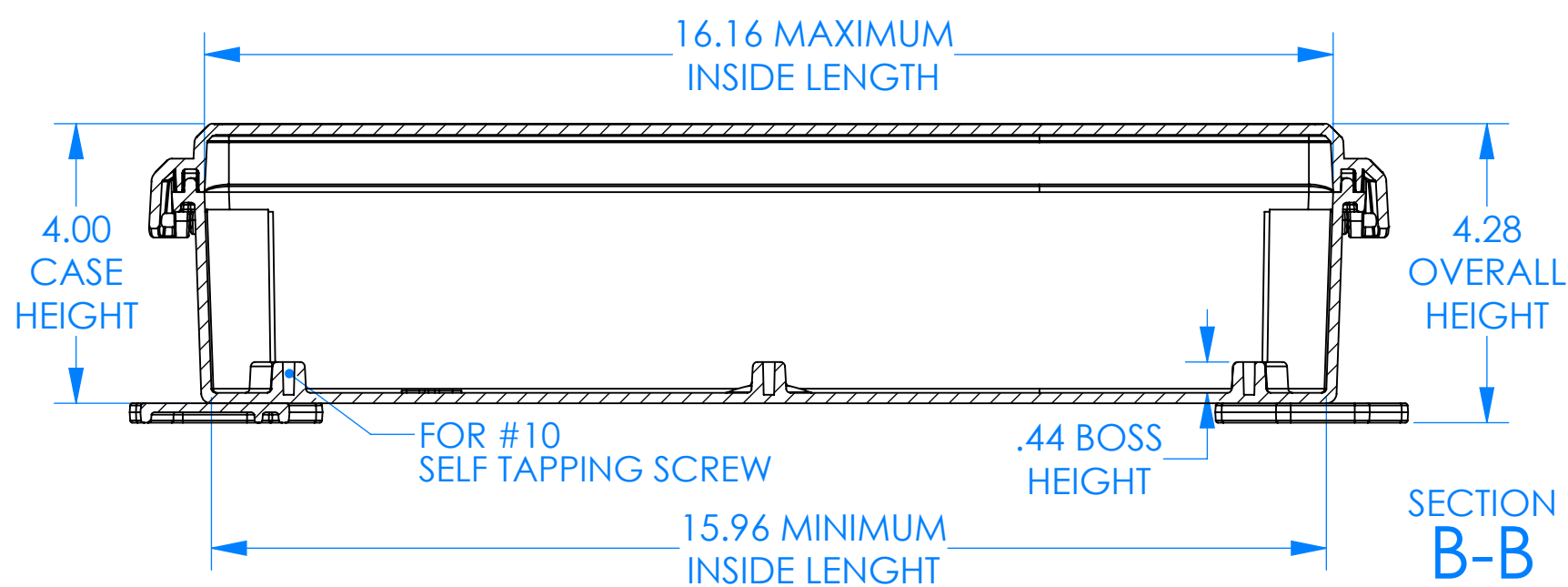
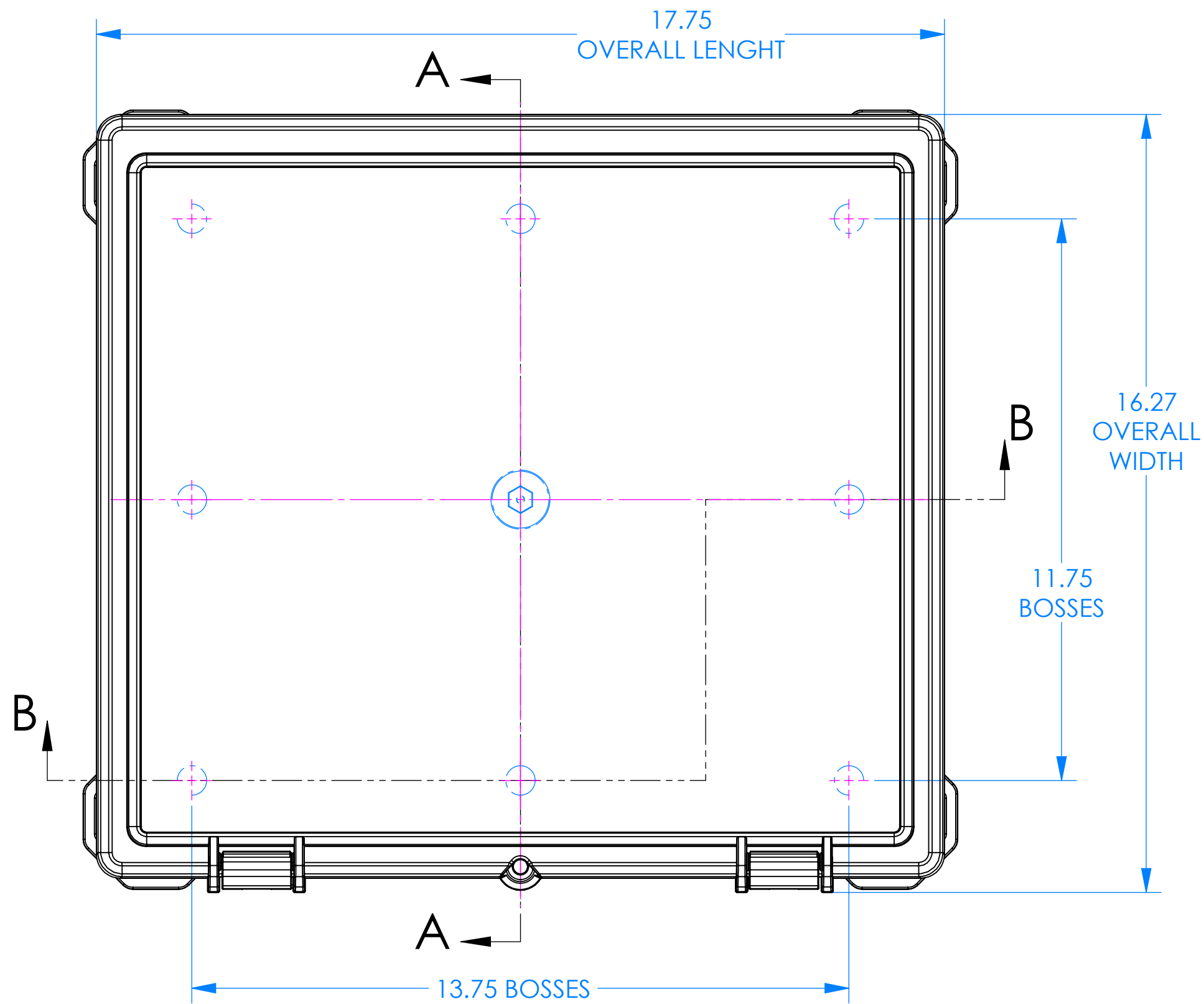


# SERPAC I602HL

Electronic Enclosures



4 Mounting Brackets included. See Sheet 2 for dimensions.

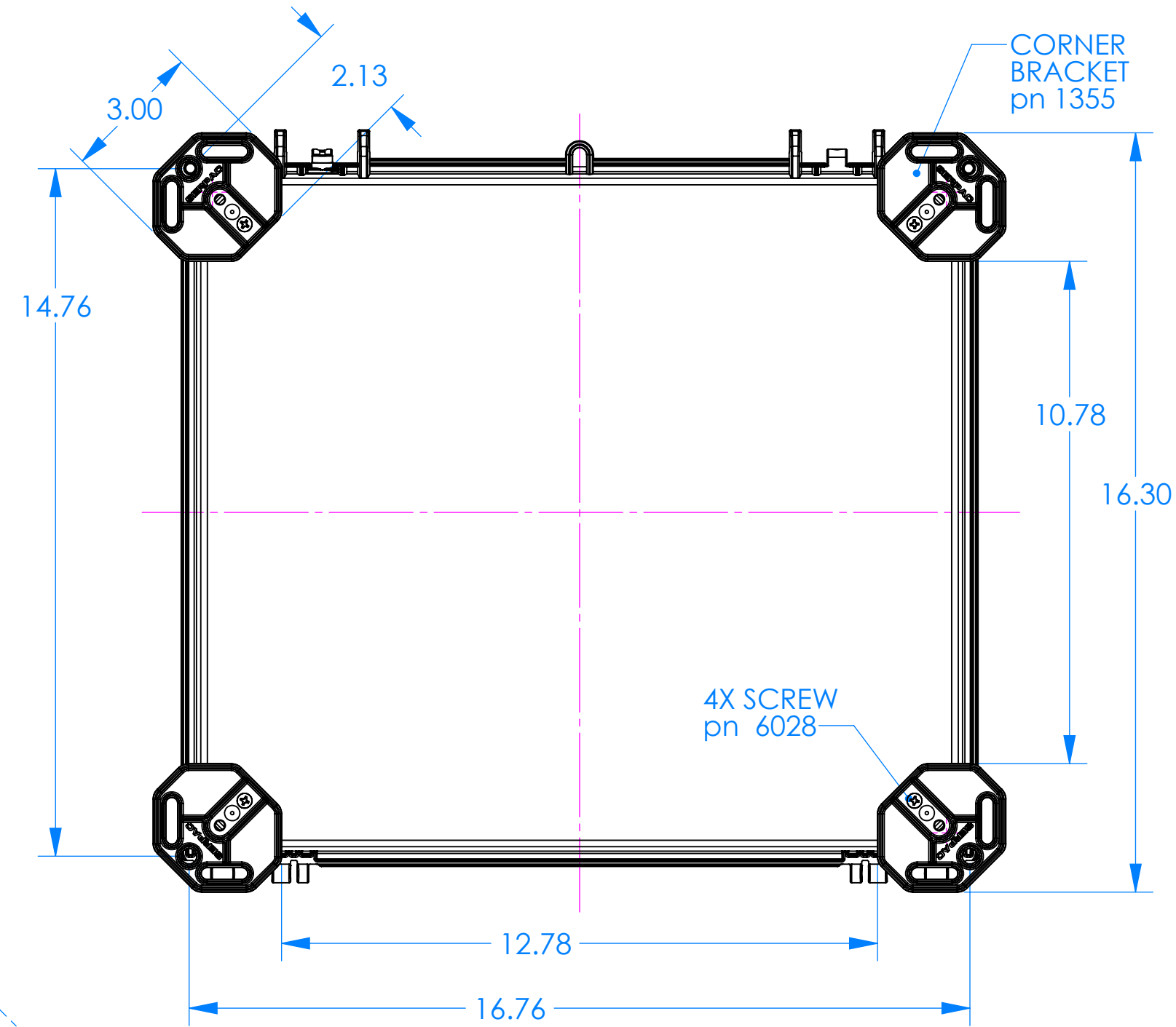
Aluminum Panel Kits are available as options, see sheets 3-5. The aluminum panel options are:  
 Bottom Panel Kit p/n 73000B  
 Top Panel Kit p/n 73040T  
 Hinged Panel Kit p/n 73020TH

- UL listed to UL 508A 4/4X standard (UL file E519183).
- Material: UV stabilized Polycarbonate Flammability V0, F1 rated material.
- Watertight enclosure meets or exceed Nema 4 and or IP67.

PARTS INCLUDED		
P/N	Qty.	Description
I652HLT	1	I652 Hinge Latch Top
I600HLB	1	I600 Hinge Latch Bottom
8650	1	650 Perimeter O-ring
7011PCM	2	Safety Latch for I-Series
1355	4	Corner Mounting Bracket
6028	4	SS #10 X 5/8" Pan H/L Screw

## I602HL Mounting Bracket Dimensions

TOP & LATCHES REMOVED FOR CLARITY FROM ALL VIEWS

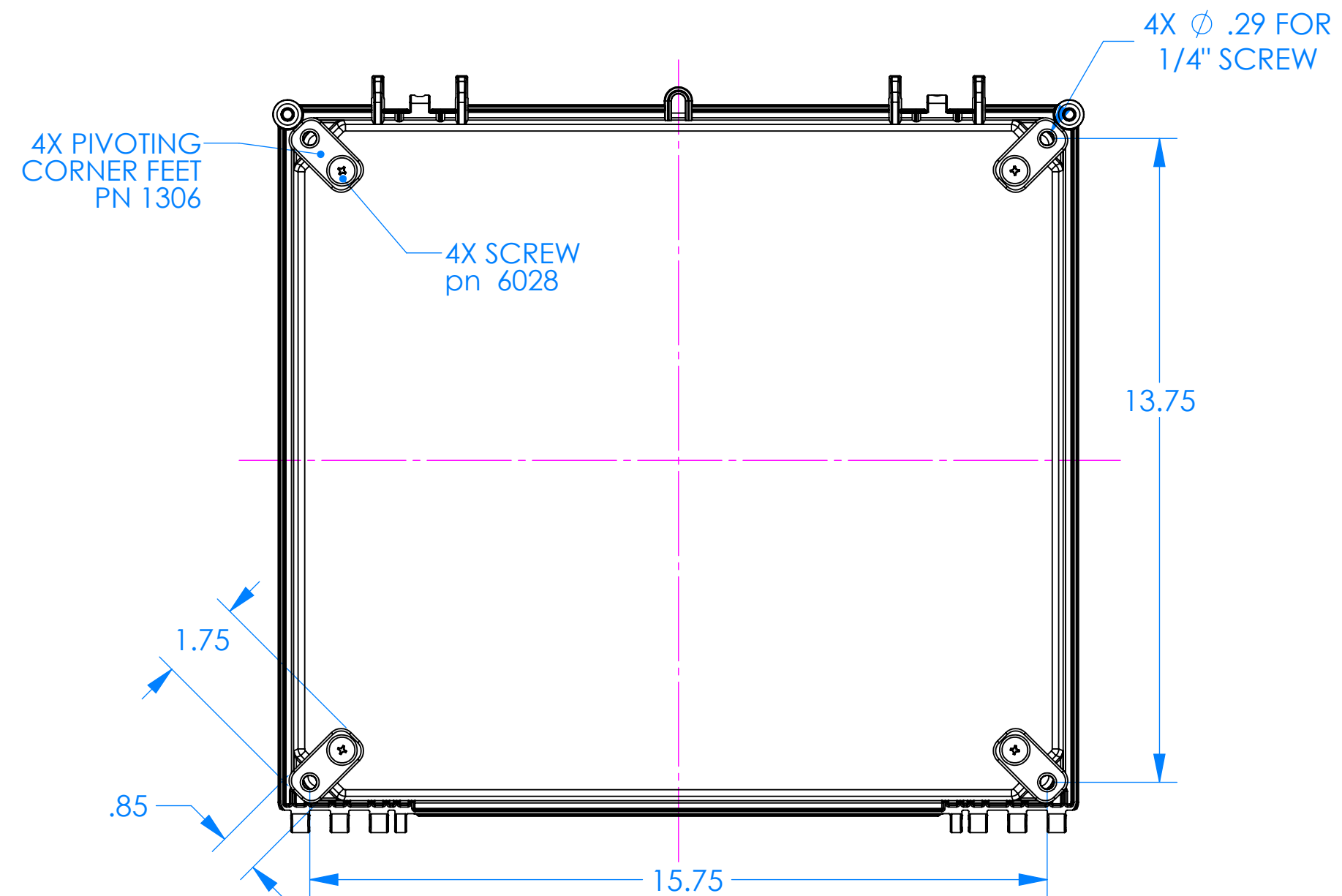


### INCLUDED STANDARD 1355 FLANGE KIT

Parts Included in kit number 1355		
P/N	Qty.	Description
1355	4	Mounting Corner Bracket
6028	4	SS #10 X 5/8" PH Pan H/L Screw

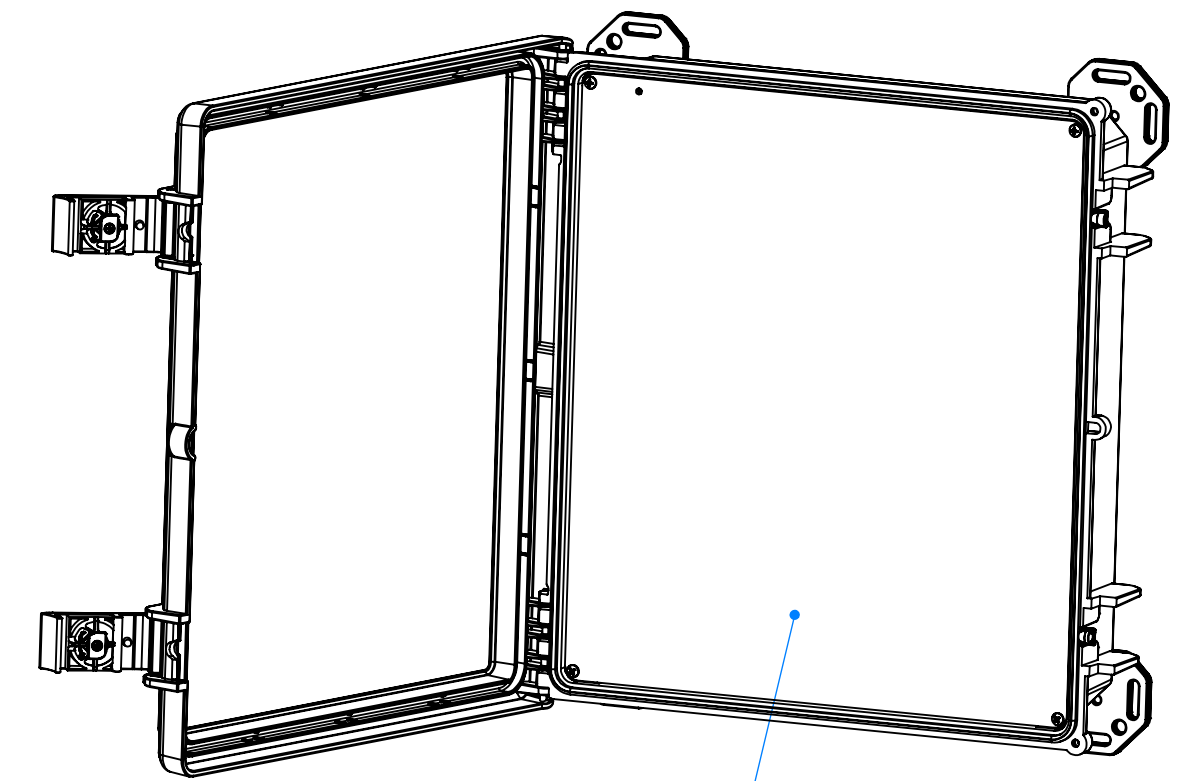
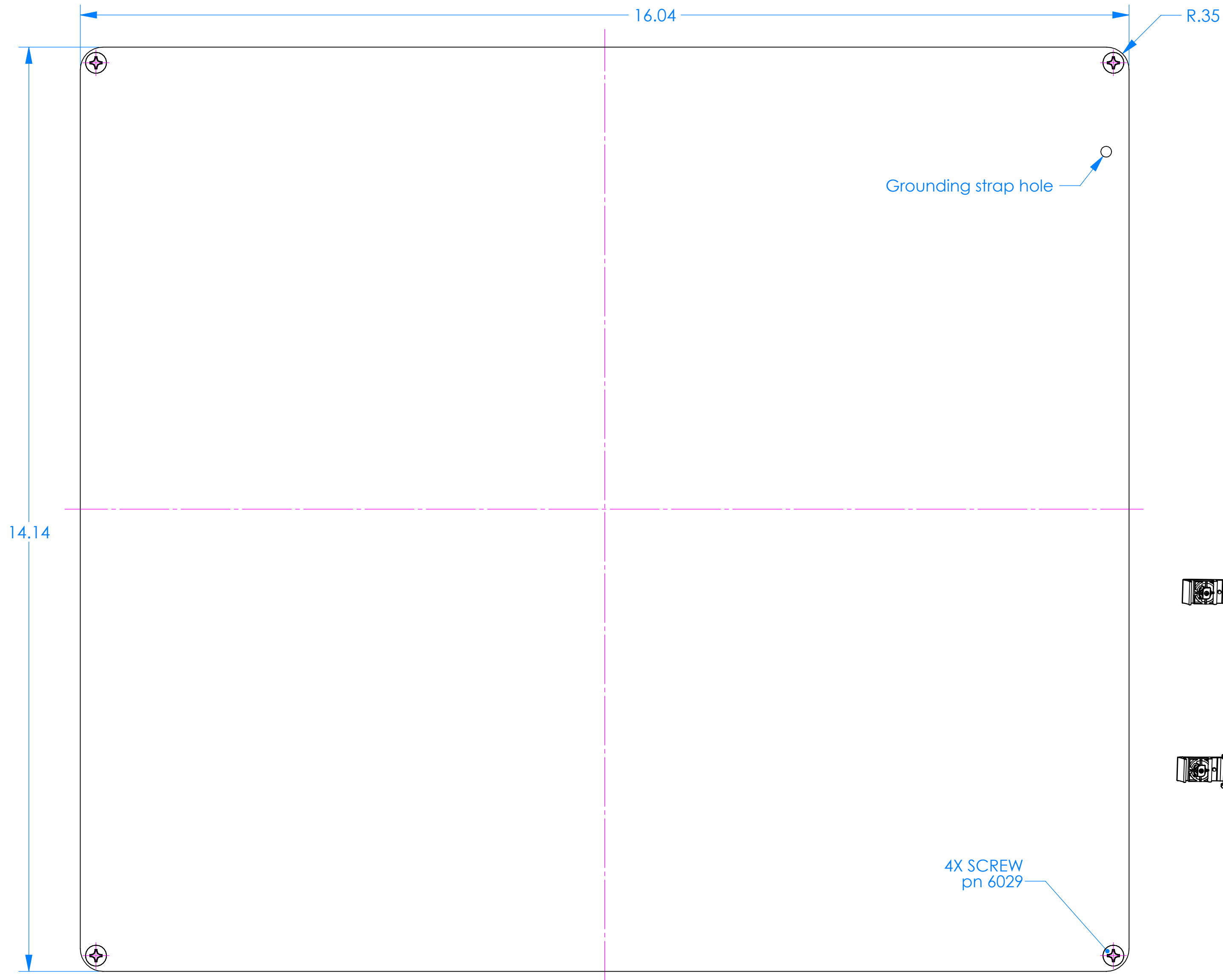
### OPTIONAL 1306 CORNER FEET KIT

Parts Included in kit number 1306		
P/N	Qty.	Description
1306	4	Mounting Corner Feet
6028	4	SS #10 X 5/8" PH Pan H/L Screw



# SERPAC 7300T Top Panel Kit for I602HL

Electronic Enclosures

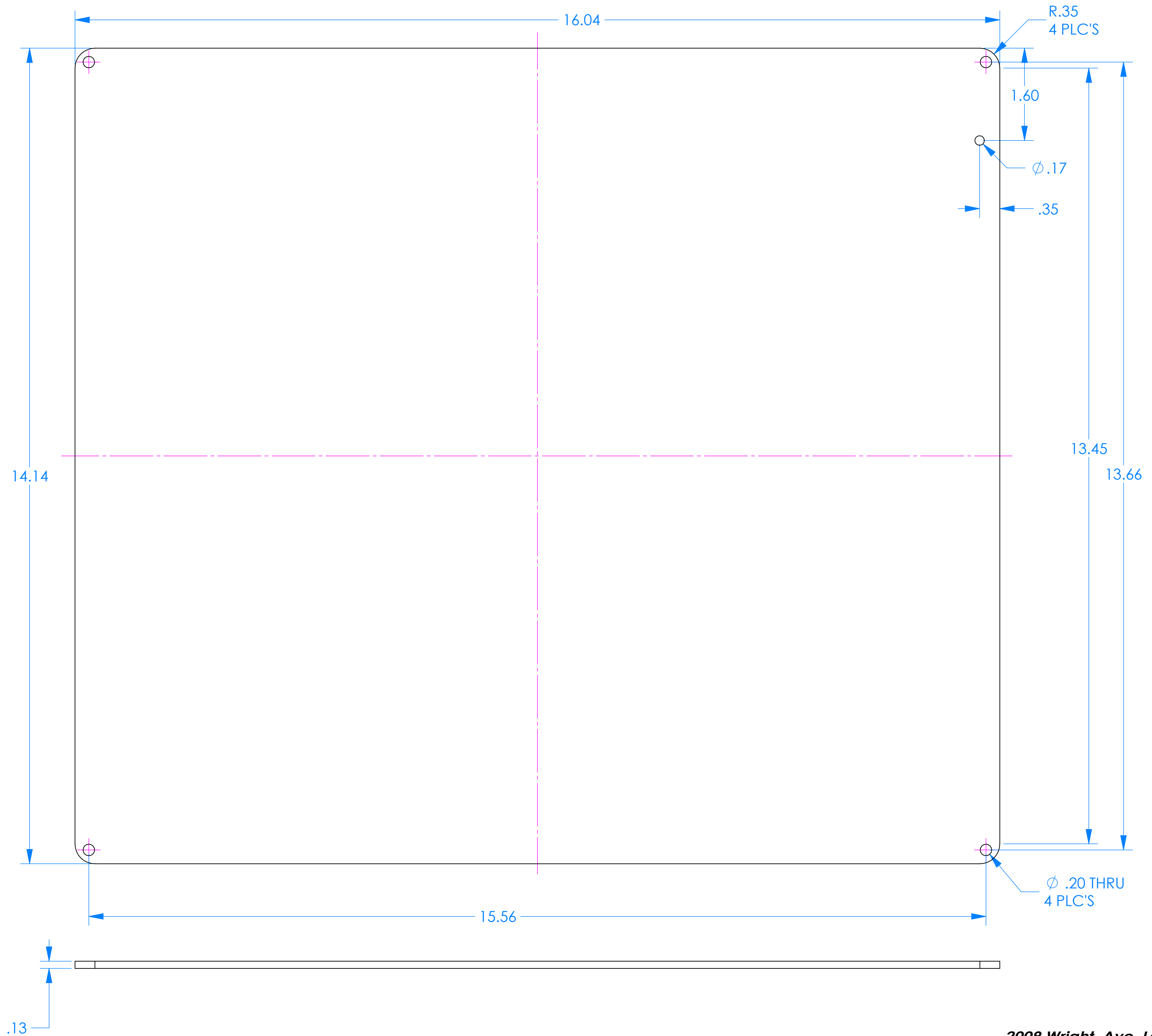


Optional kit  
pn 7300T

Parts Included in kit number 7300T		
P/N	Qty.	Description
73040	1	Top Aluminum Panel
6029	4	SS #10 X 3/8" PH Pan HL Screw

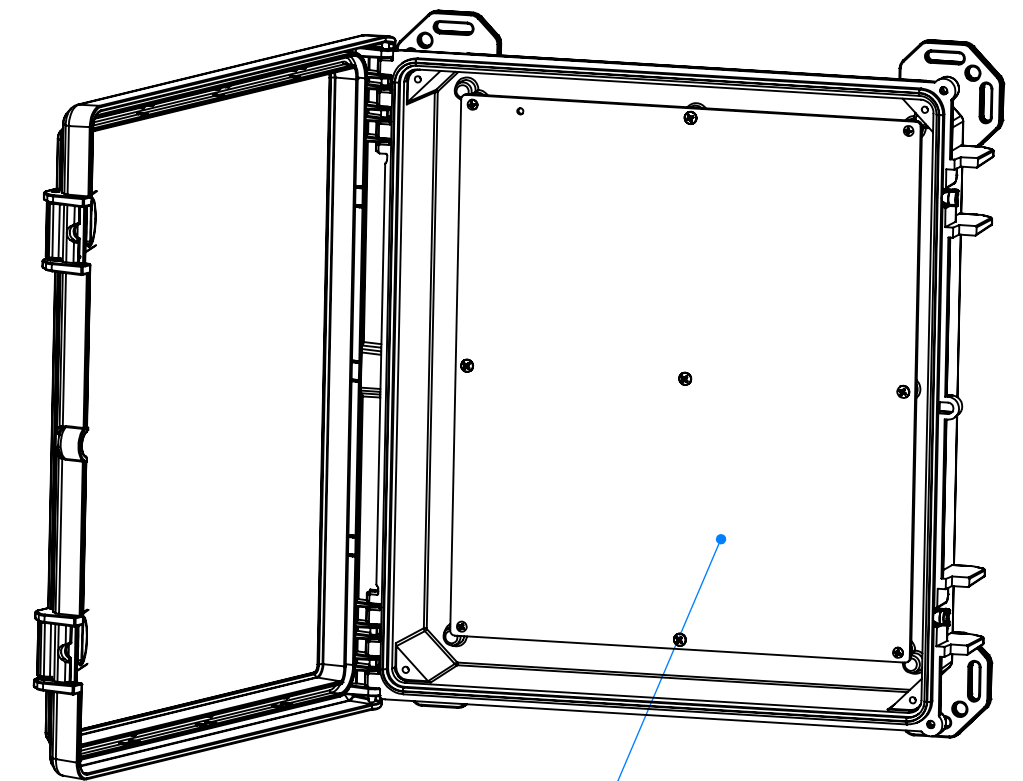
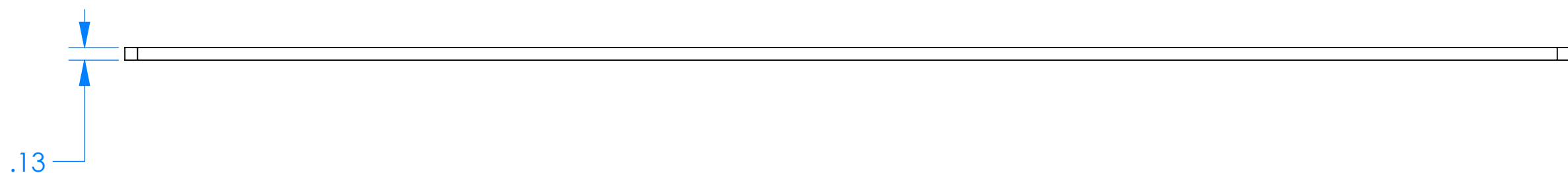
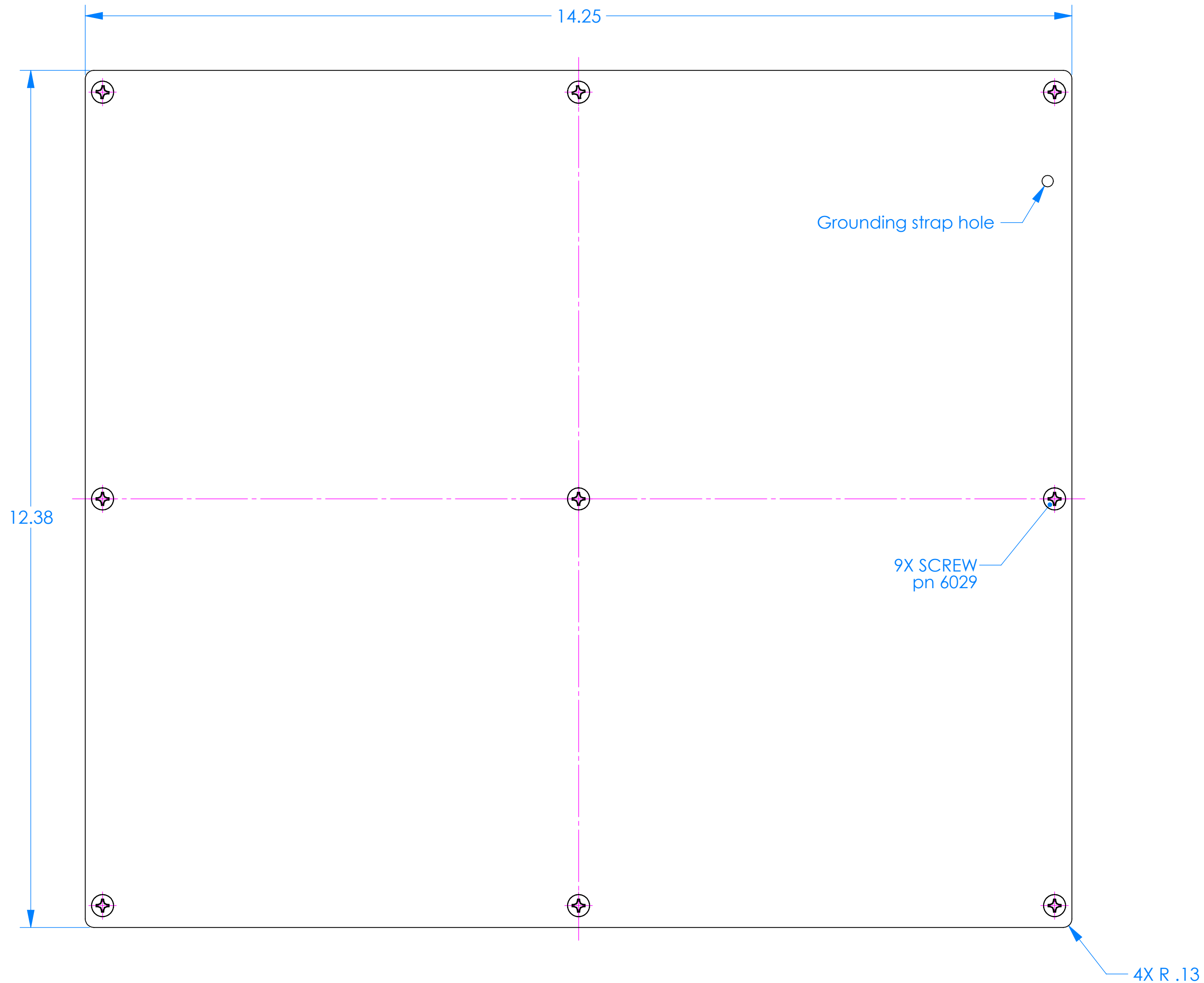
# SERPAC 73040 AP-1 Top Alum Panel for I602HL

Electronic Enclosures



# SERPAC 7300B Bottom Panel Kit for I602HL

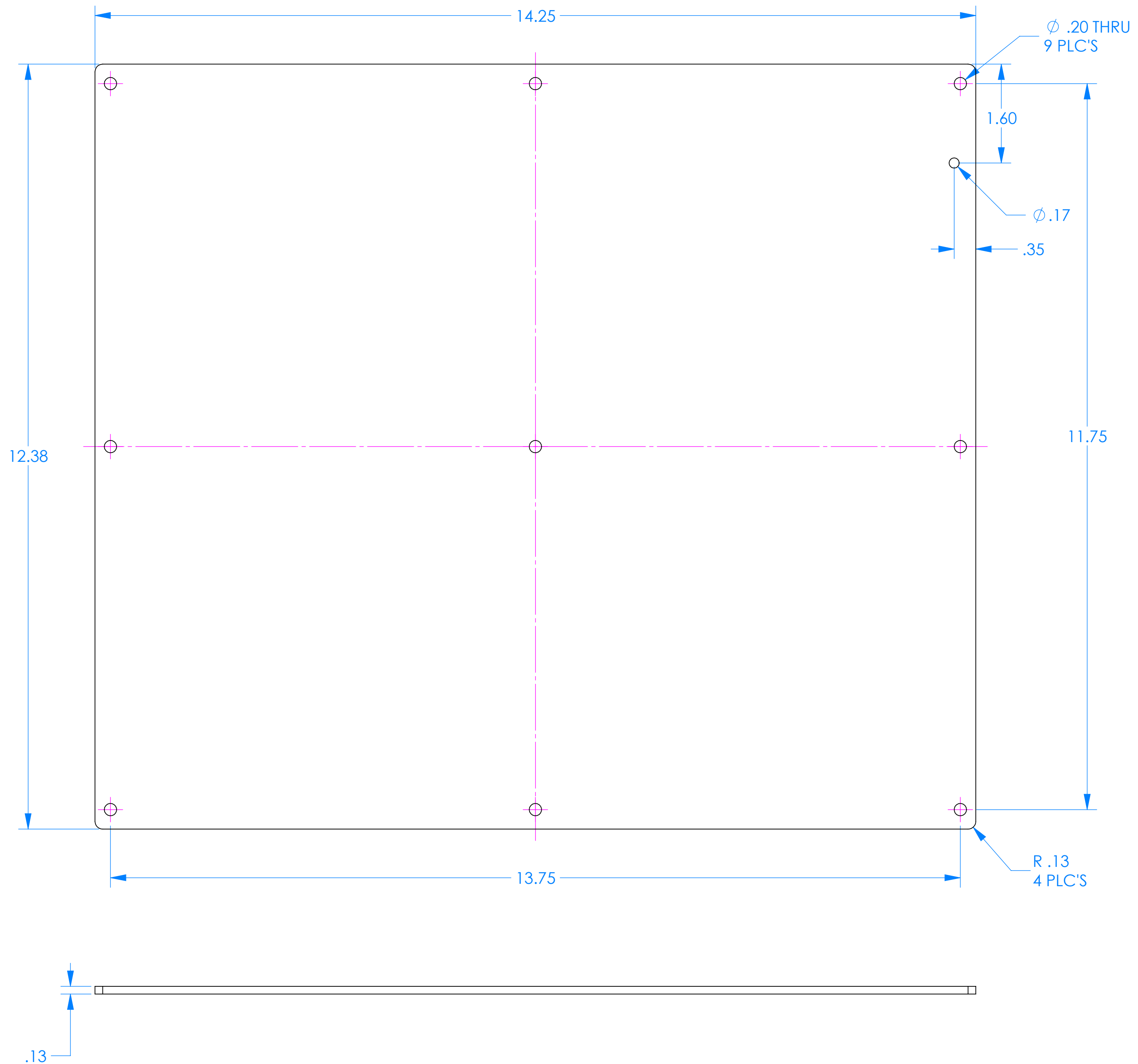
Electronic Enclosures



Parts Included in kit number 7300B		
P/N	Qty.	Description
73000	1	Bottom Aluminum Panel
6029	9	SS #10 X 3/8" PH Pan HL Screw

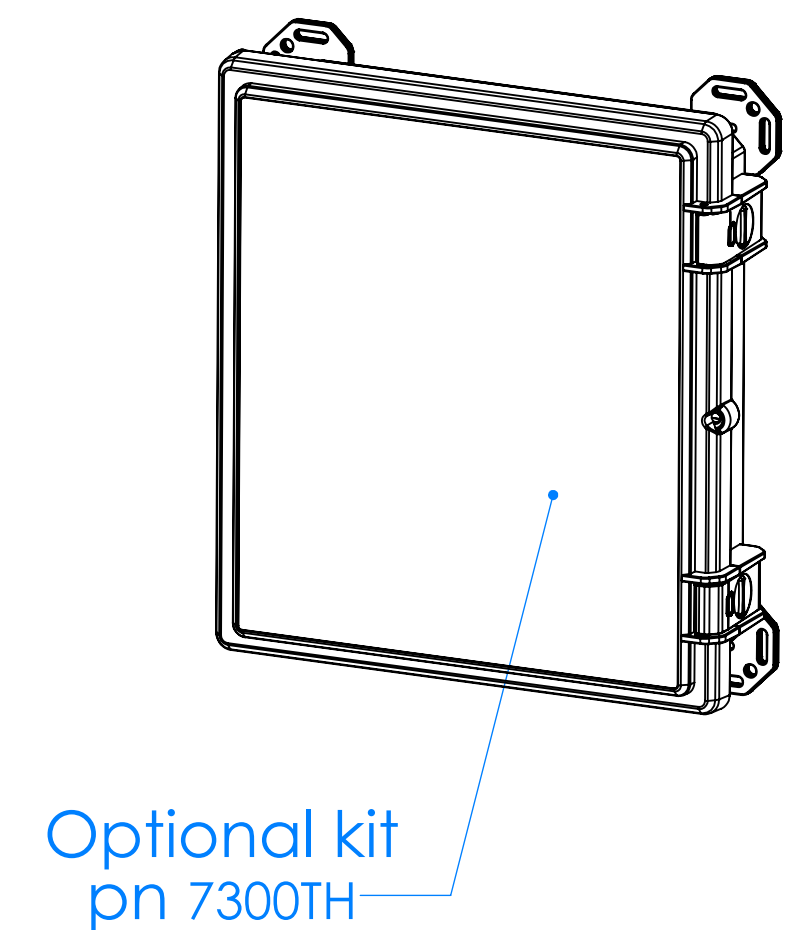
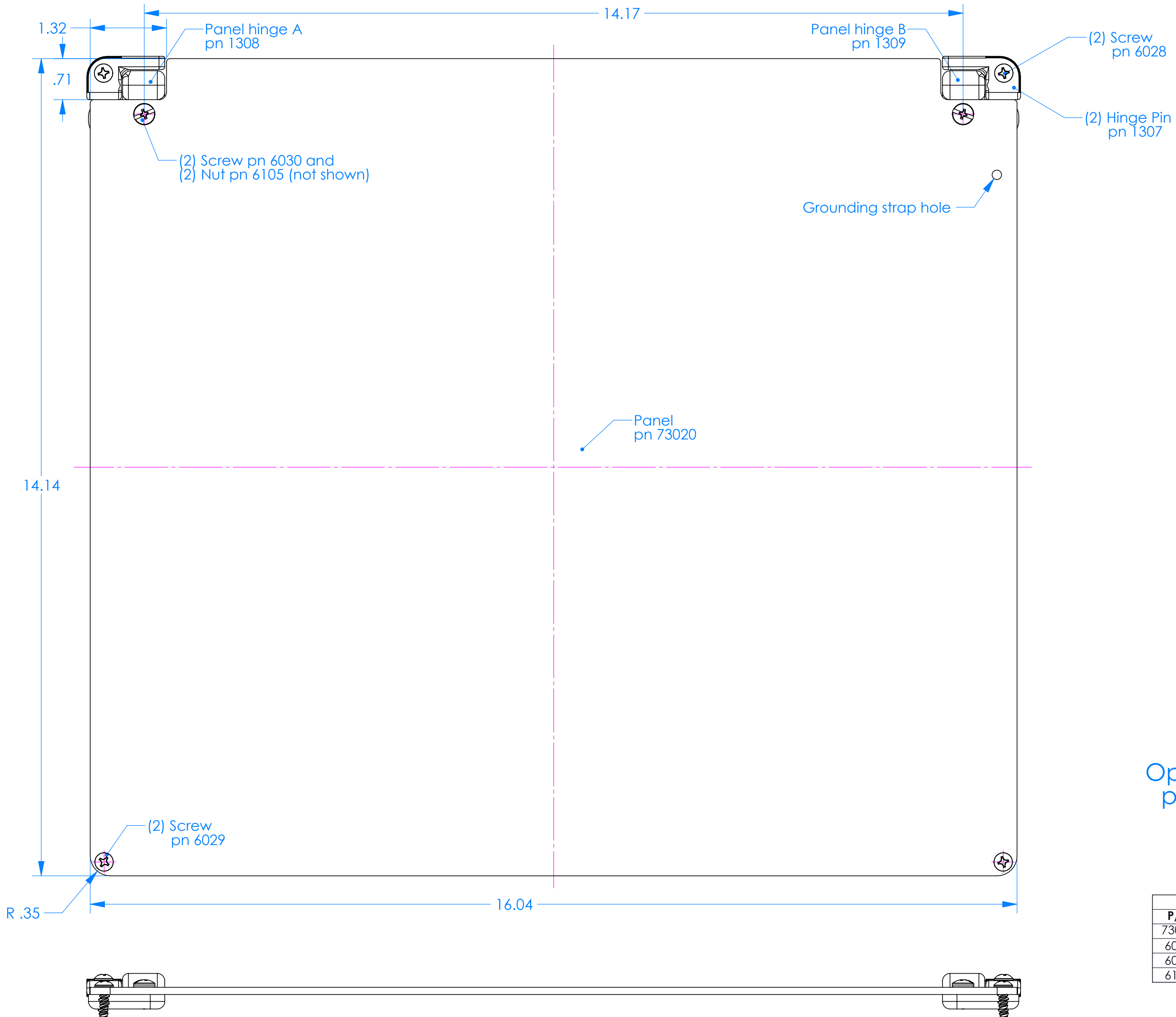
4/14/2021

2009 Wright Ave. La Verne, CA 91750  
Ph. (626) 331-0517 Fx. (626) 331-8584 serpac.com



# SERPAC 7300TH Hinged Top Panel Kit for I602HL

Electronic Enclosures



Parts Included in kit number 7300TH		
P/N	Qty.	Description
73020	1	Hinged Top Aluminum Panel
6029	2	SS #10 X 3/8" PH Pan HL Screw
6030	2	SS #10-32 X 3/8" Pan Combo Screw
6105	2	SS #10-32 X 1/8" Nut

# SERPAC 73020 AP-2 Hinged Alum Panel for I602HL

Electronic Enclosures

