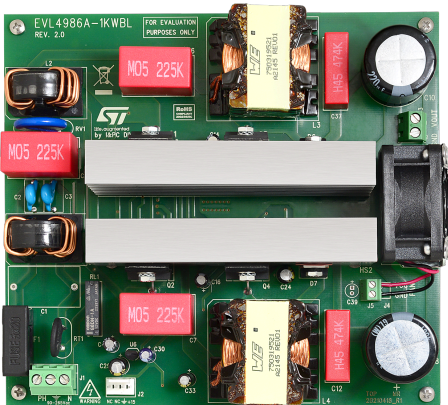


1 kW bridgeless CCM-PFC pre-regulator based on L4986A



Features

- Input mains range: 90 to 265 Vac - frequency 45 to 65 Hz
- Output voltage / load: 400 V / 2.5 A
- Efficiency:
 - above 98% at 230 Vac (full load)
 - above 95.5% at 115 Vac (full load)
 - above 94% between 10% and 100% of full load
- No load mains consumption: below 250 mW at 230 Vac
- Mains harmonics in compliance with EN61000-3-2 Class-A and JEITA-MITI, Class-A
- EMI in accordance with EN55022 Class-B
- Safety in accordance with EN62368
- Dimensions 145 x 160 mm, height = 35 mm
- PCB: double sided, 70 μ m, FR-4, mixed PTH/SMT

Description

The **EVL4986A-1KWBL** demonstration board is a bridgeless PFC pre-regulator, double boost topology, featuring 1 kW output power (400 Vdc) and wide input voltage range (90 Vac-265 Vac), based on the new L4986A peak current mode CCM power factor controller.

It is intended as a front-end converter up to 1 kW, able to be compliant with IEC61000-3-2 and JEITA-MITI.

The demo is designed on the double boost (Barbi) topology using two branches, each consisting of a boost stage, managing half mains cycle. Each section operates at almost fixed frequency (65 kHz).

Thanks to the bridgeless approach and the L4986A control IC, the board offers high efficiency and low input current THD across the entire input voltage range. This is achieved using a low complexity schematic and fewer components compared to similar bridgeless solutions.

Product status link

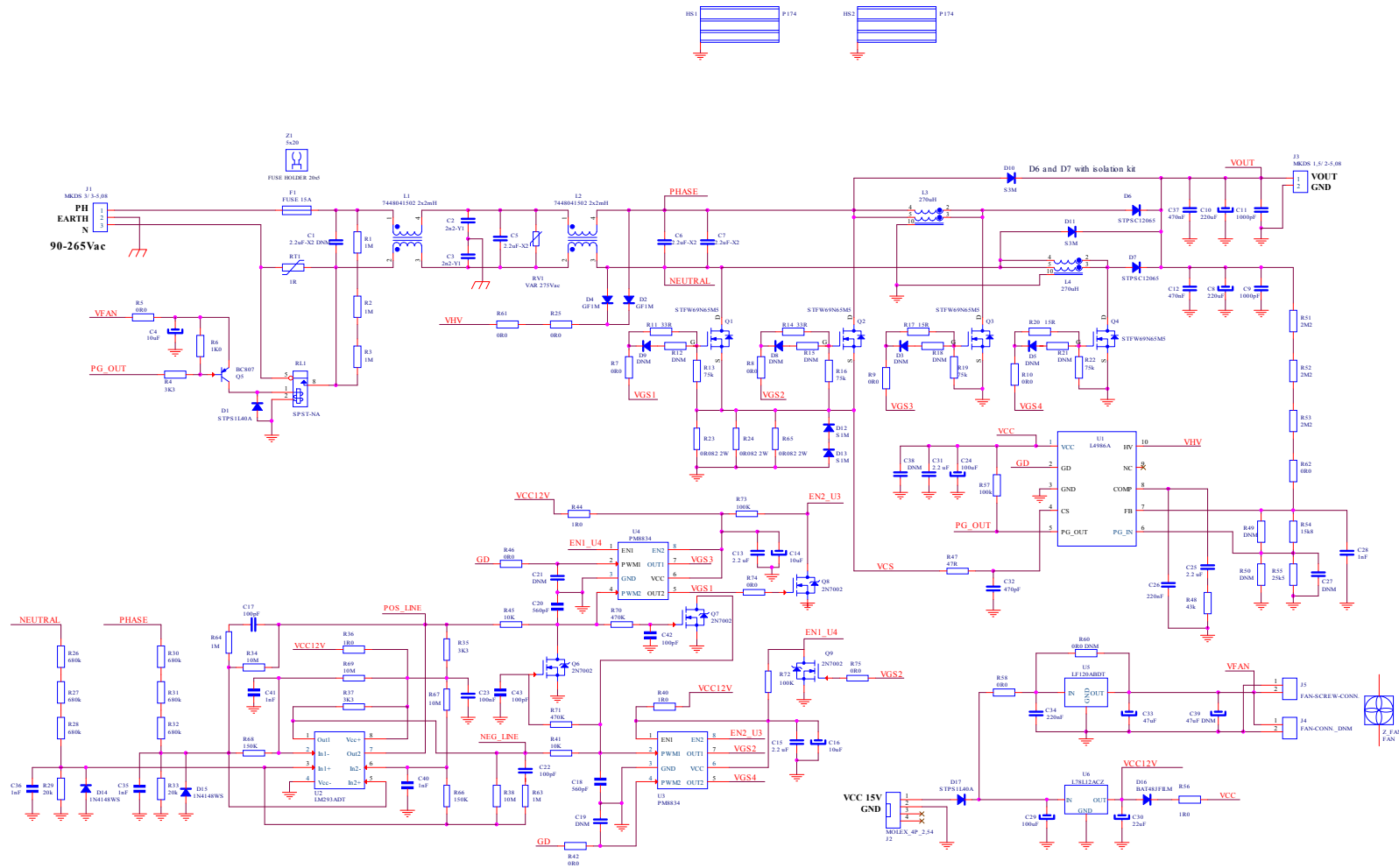
[EVL4986A-1KWBL](#)

Product label



1 Schematic diagrams

Figure 1. EVL4986A-1KWBL demo board schematic

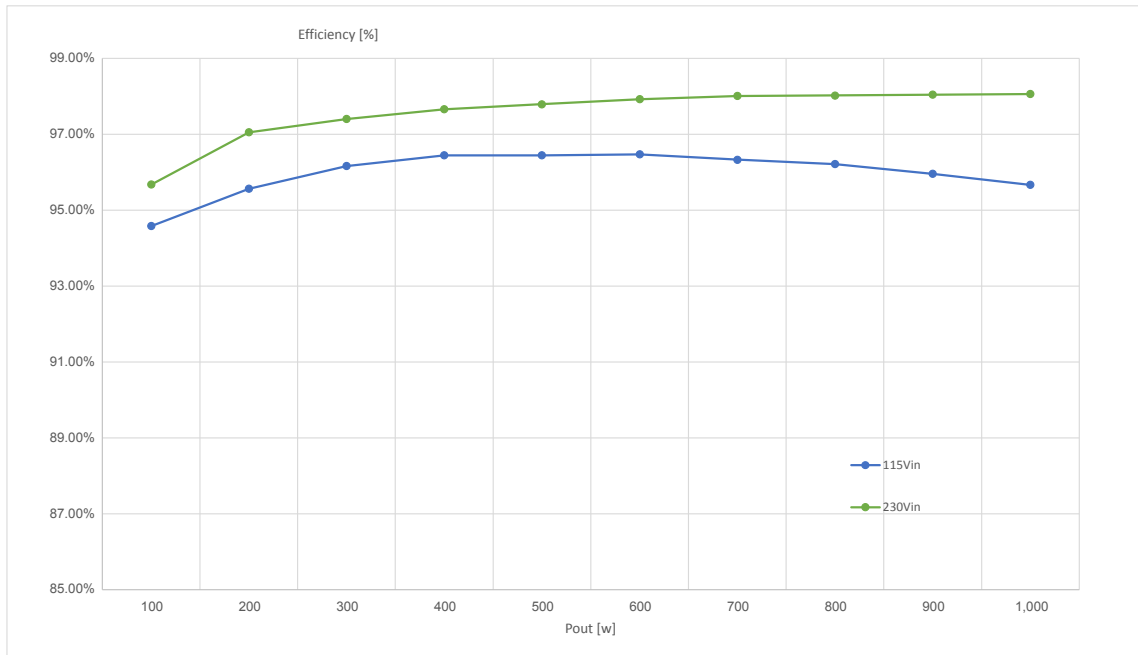


2 Measurements

2.1 Efficiency

The following figure shows the overall efficiency of the EVL4986A-1KWBL demo board (load between 10% and 100%), measured at the nominal mains voltages (115 Vac and 230 Vac), after a warm-up time of about 1h.

Figure 2. EVL4986A-1KWBL efficiency



2.2 THD and PF

The total harmonic distortion (THD) and the power factor (PF) have been measured against the mains voltage, from full load 100% to 10%. The results are summarized in the following figures. Note that THD is always below 10%.

Figure 3. EVL4986A-1KWBL THD

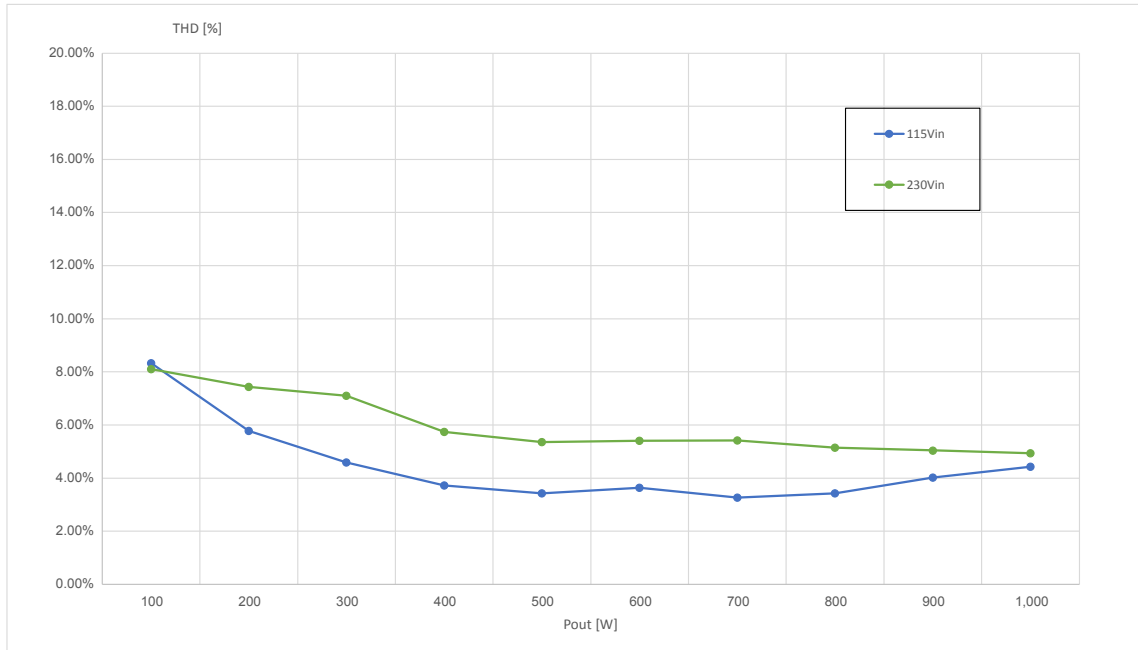
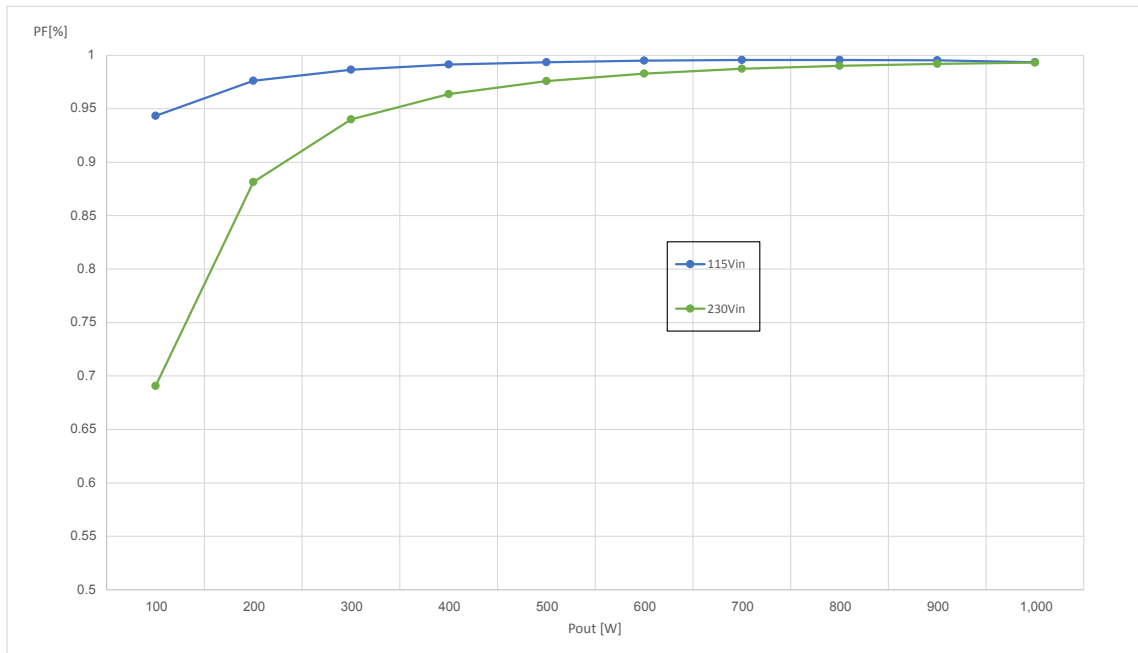


Figure 4. EVL4986A-1KWBL PF



Revision history

Table 1. Document revision history

Date	Version	Changes
07-Mar-2022	1	Initial release.

Contents

1	Schematic diagrams	2
2	Measurements	3
2.1	Efficiency	3
2.2	THD and PF	4
	Revision history	5
	Contents	6

IMPORTANT NOTICE – READ CAREFULLY

STMicroelectronics NV and its subsidiaries (“ST”) reserve the right to make changes, corrections, enhancements, modifications, and improvements to ST products and/or to this document at any time without notice. Purchasers should obtain the latest relevant information on ST products before placing orders. ST products are sold pursuant to ST’s terms and conditions of sale in place at the time of order acknowledgment.

Purchasers are solely responsible for the choice, selection, and use of ST products and ST assumes no liability for application assistance or the design of purchasers’ products.

No license, express or implied, to any intellectual property right is granted by ST herein.

Resale of ST products with provisions different from the information set forth herein shall void any warranty granted by ST for such product.

ST and the ST logo are trademarks of ST. For additional information about ST trademarks, please refer to www.st.com/trademarks. All other product or service names are the property of their respective owners.

Information in this document supersedes and replaces information previously supplied in any prior versions of this document.

© 2022 STMicroelectronics – All rights reserved