

LAN9514 64QFN Customer Evaluation Board

PCB Revision C

Schematic Revision 1.0

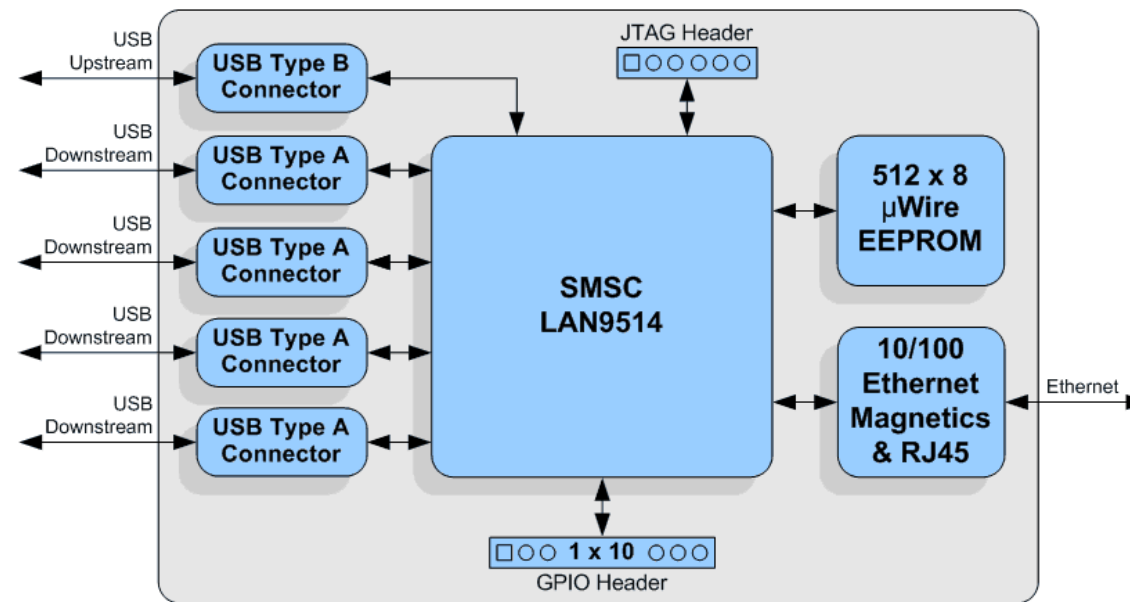
Design Details

Board: Assembly No. 6569

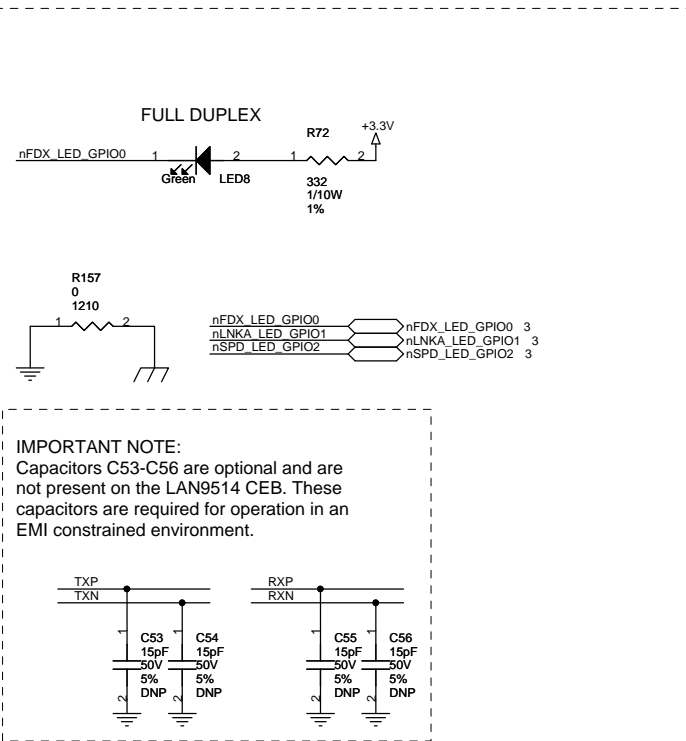
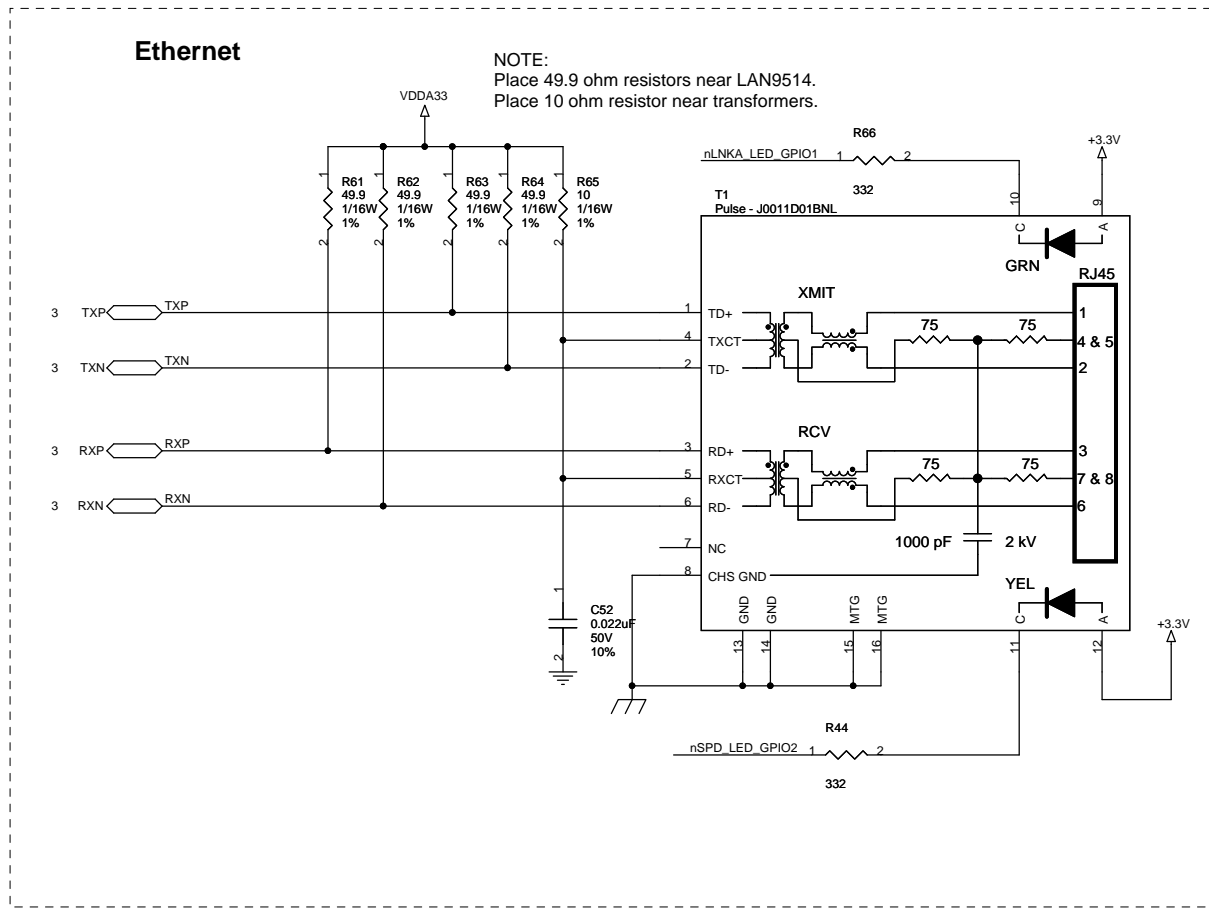
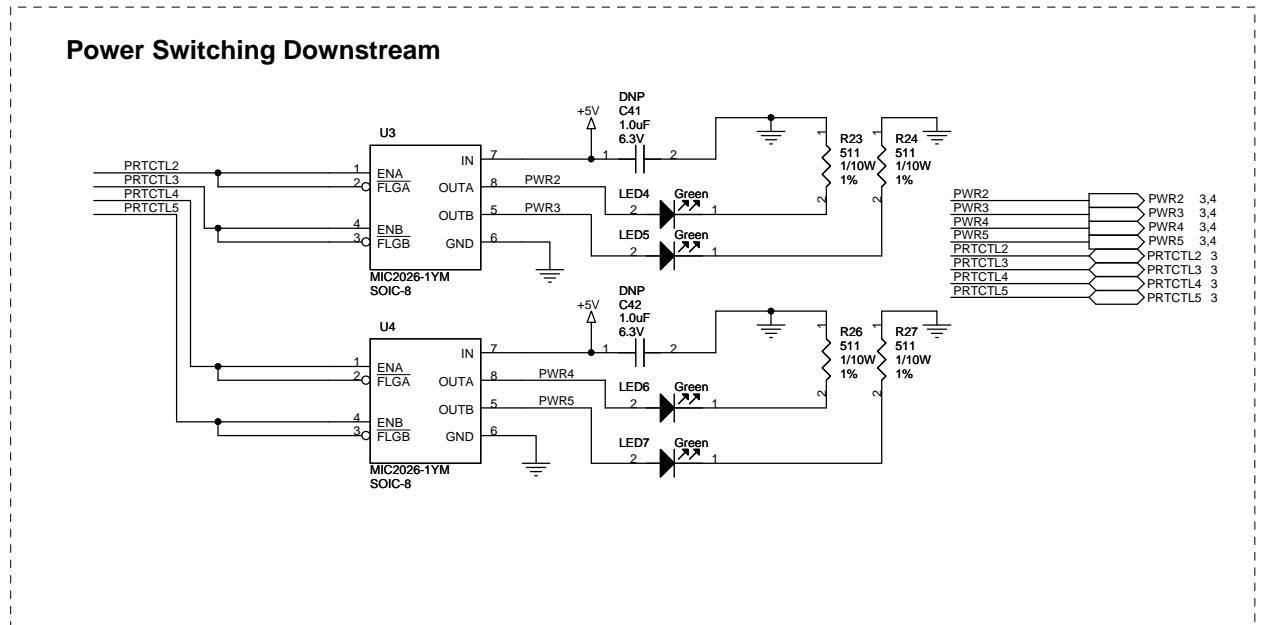
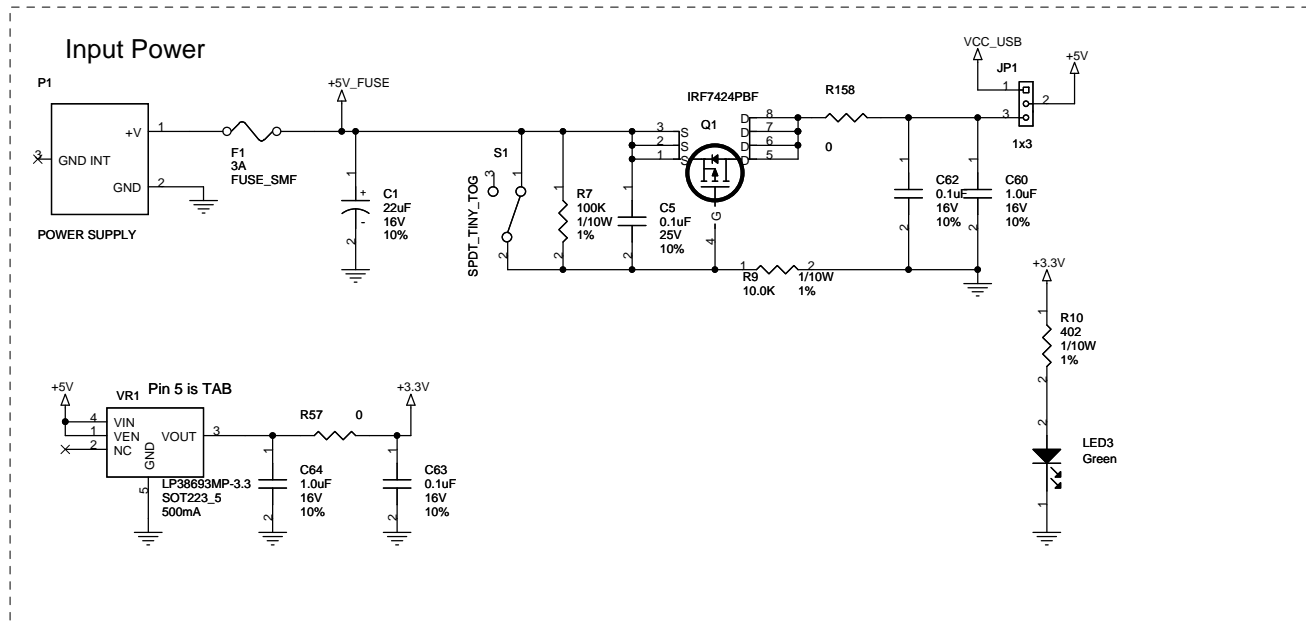
Chip: 64 Pin QFN

Board Form Factor: 4" X 2.5"

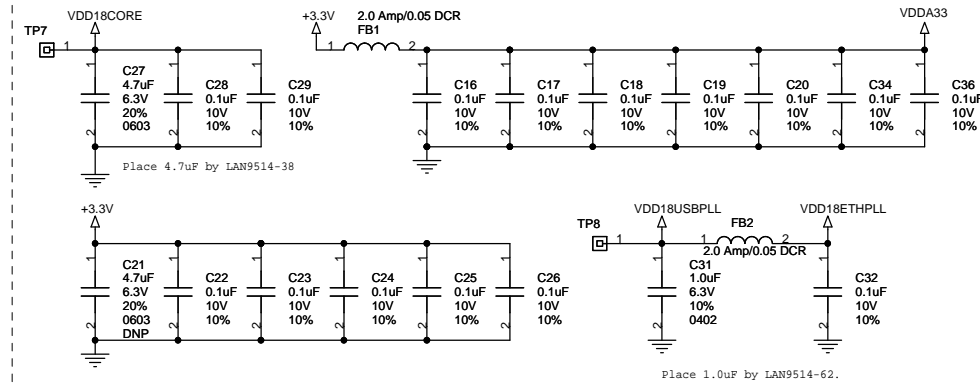
Circuit Diagrams utilizing SMSC Products Are Included As A Means Of Illustrating Typical Semiconductor Applications: Consequently Complete Information Sufficient For Construction Purposes Is Not Necessarily Given. The Information Has Been Carefully Checked And Is Believed To Be Entirely Reliable. However, No Responsibility Is Assumed For Inaccuracies. Furthermore, Such Information Does Not Convey To The Purchaser Of The Semiconductor Devices Described Any License Under The Patent Rights Of SMSC Or Others. SMSC Reserves The Right To Make Changes At Any Time In Order To Improve Design And Supply The Best Product Possible.



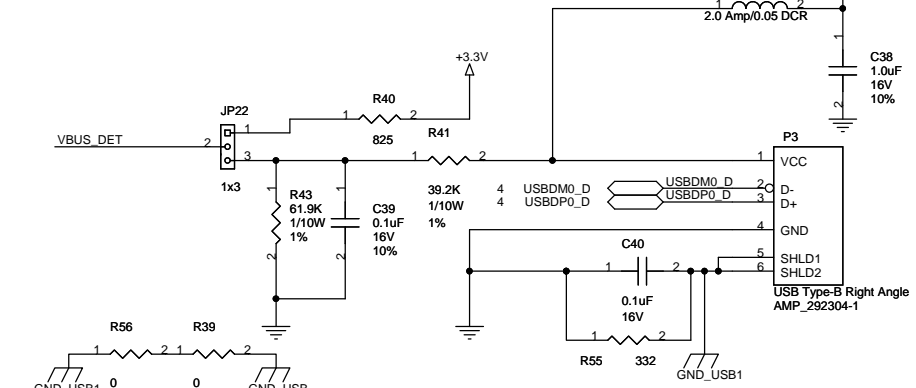
ITEM	Page
Title Page	1
Power and Ethernet	2
LAN9514 64QFN	3
Unpopulated EMI and ESD	4



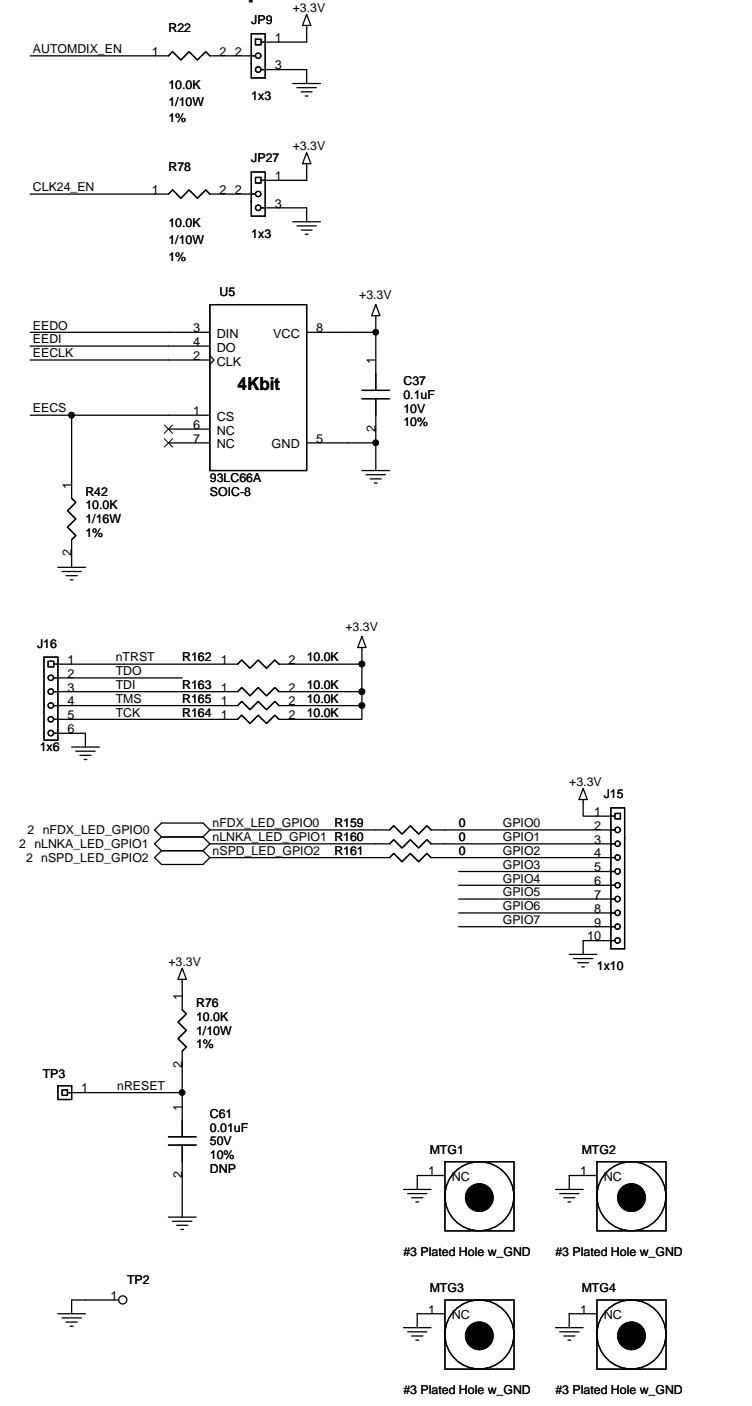
Power Supply Filtering LAN9514



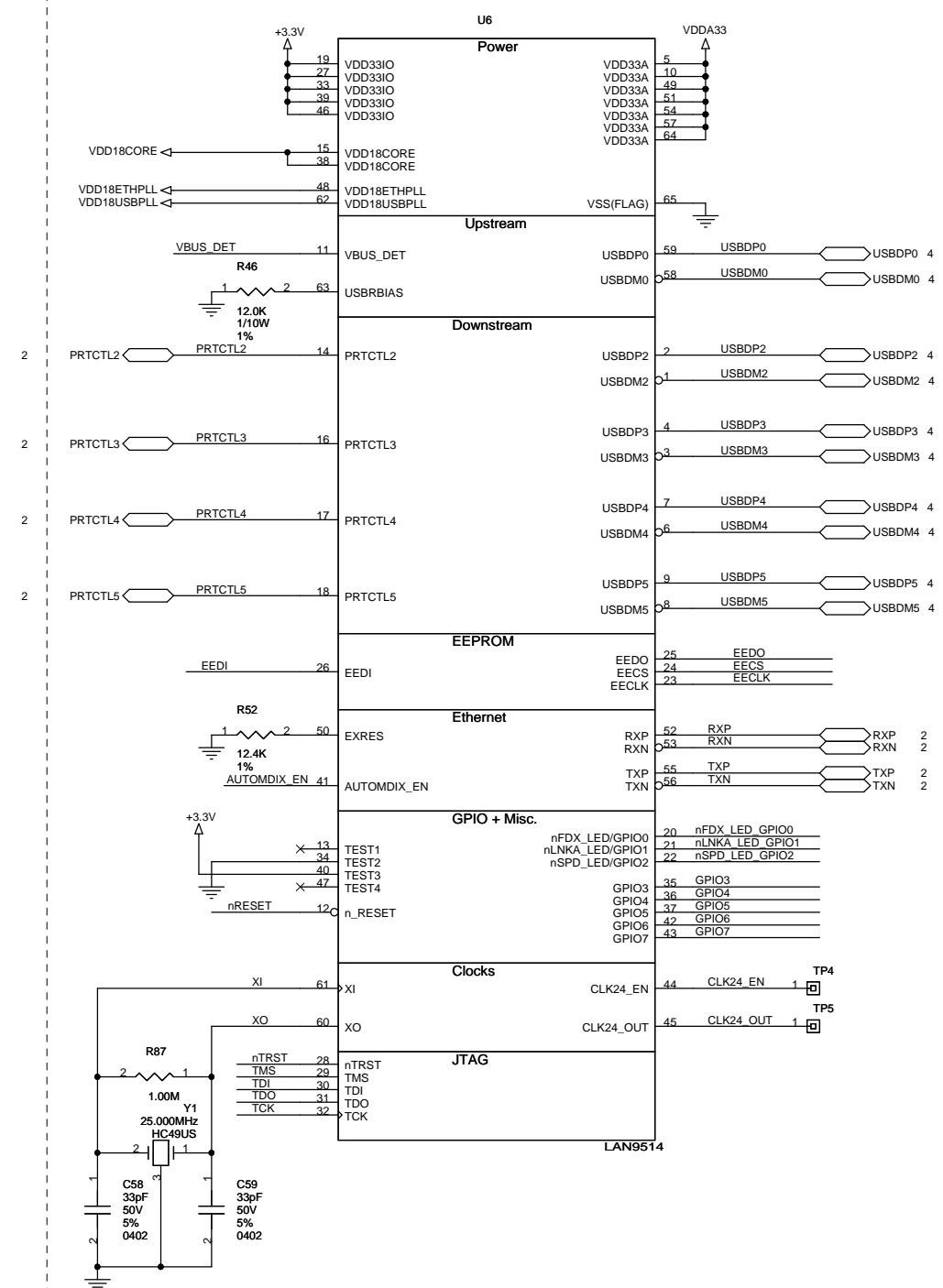
Upstream



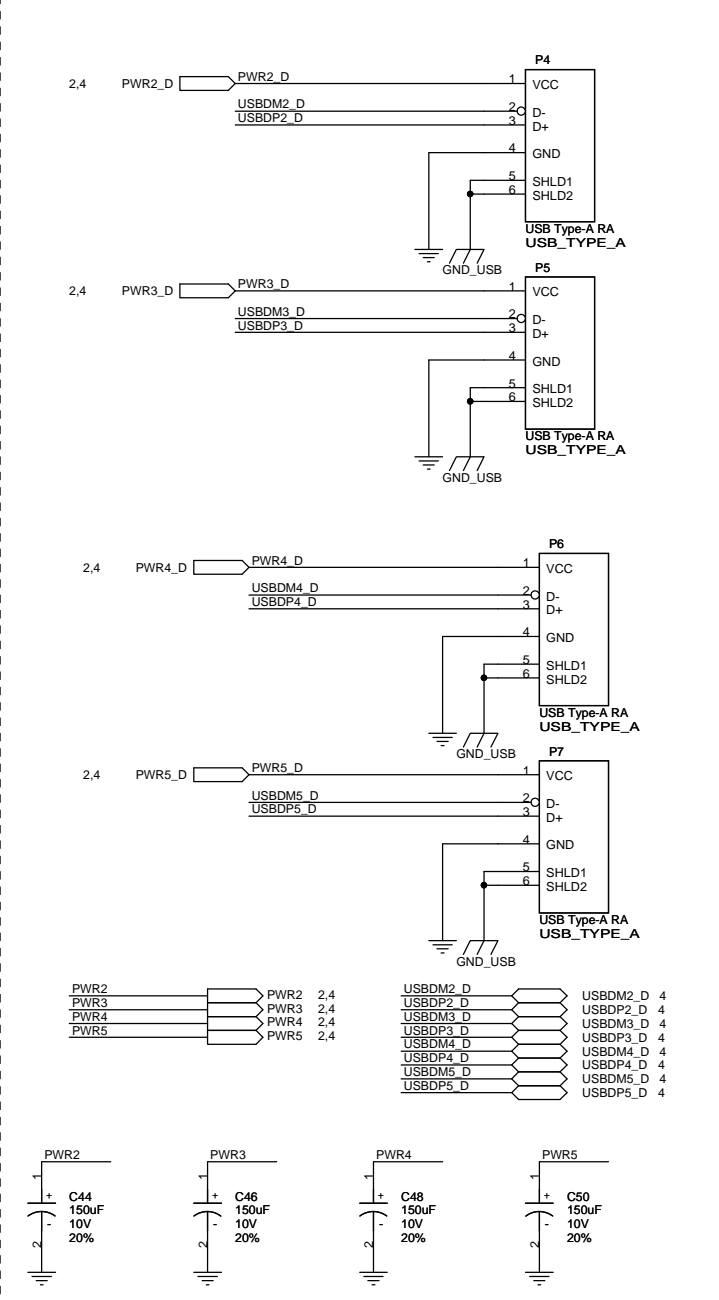
Miscellaneous Components



LAN9514



Downstream



SMSC
SUCCESS BY DESIGN

Title: **LAN9514 64QFN**

Size	Engineer	Assembly No.	PCB Rev	Schematic Rev
C	R.W.	6569	C	1.0

Date: Wednesday, February 02, 2011 Sheet 3 of 4

Note:
 Ferrites, common mode chokes and ESD diodes are normally NOT populated.
 Part terminals have been shorted to allow normal operation without parts.
 Exposed traces in footprints must be cut prior to installation of these parts.

