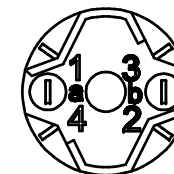
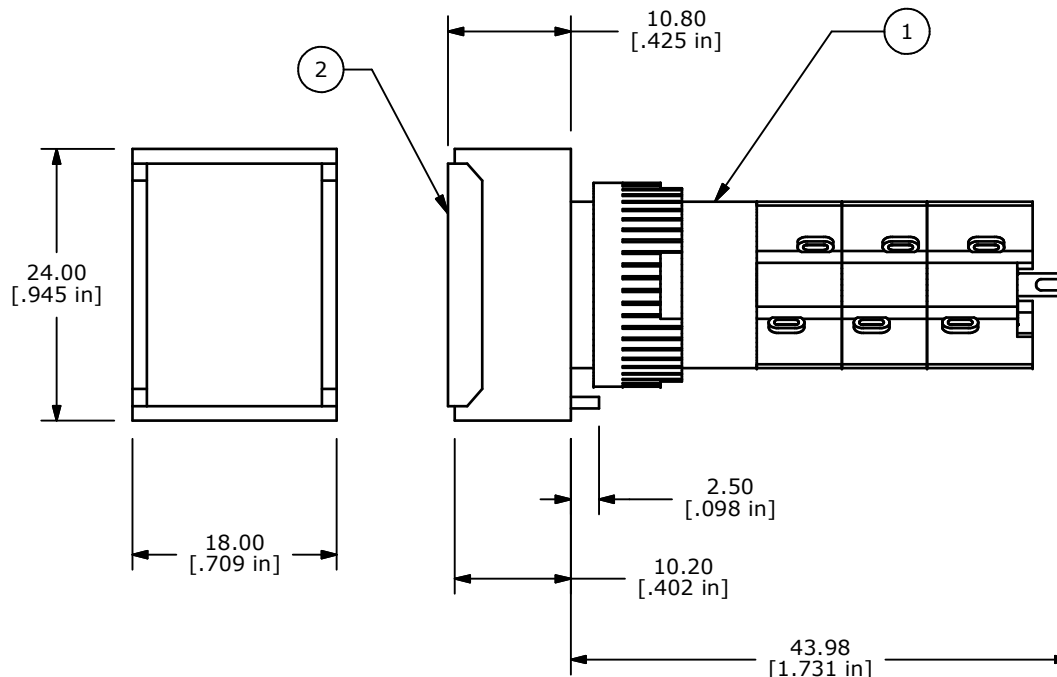
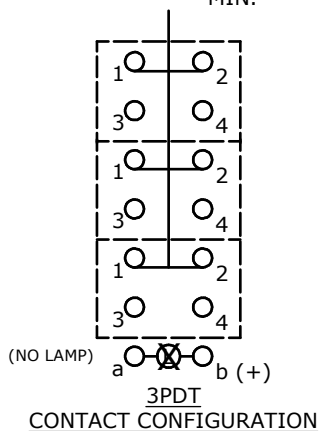


ISOMETRIC

PARTS LIST			
ITEM	QTY	PART NUMBER	DESCRIPTION
1	1	F040054	D16OAT23
2	1	F052215	BUTTON ASSY: FLAT TOP, OPAQUE, WHITE, RECTANGLE



- NOTE:
1. ALL DIMENSIONS IN MM [INCH]
 2. GENERAL TOLERANCE: X.X=±0.4
X.XX=±0.25
 3. TERMINAL NUMBERS FOR REF ONLY
 4. RATING: 5A @250VAC
8A @125VAC
6A @24VDC
 5. ELECTRICAL LIFE: >50,000 CYCLES
 6. TRAVEL: 3.0MM
 7. PANEL THICKNESS: 0.5 - 5 mm
 8. SEALED TO IP40.
 9. INSULATION RESISTANCE: 1,000 MEGA-OHM MIN.
 10. OPERATING TEMP.: -25°C to 70°C
 - ▲ 11. LAMP VOLTAGE: NONE
 12. ▲ DENOTES CRITICAL PARAMETER.
 13. PACKAGE: 20 PIECES PER BOX
 14. 2002/95/EC (ROHS) COMPLIANT



A	18196	RELEASED FOR PRODUCTION	8/4/08	BLR
REV	PCR NO	DESCRIPTION	DATE	BY

TITLE D16OAT230WHT				
SCALE	DATE	DR	DWG	REV
1.5:1	8/4/2008	BLR	XF0760P	A

THE INFORMATION CONTAINED IN THIS DOCUMENT IS PROPRIETARY TO E-SWITCH AND IS NOT TO BE COPIED OR TRANSFERRED