



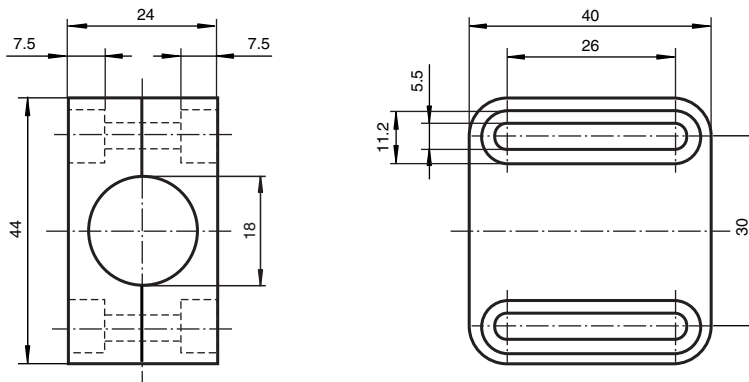
## Mounting flange

### BF 18

- Retainer for all cylindrical sensors with M18 thread
- Simple installation and exact setting
- Large sensing range (max. 20 mm)

Mounting flange, 18 mm

## Dimensions



## Technical Data

### General specifications

Inside diameter 18 mm

### Ambient conditions

Ambient temperature -25 ... 85 °C (-13 ... 185 °F)

### Mechanical specifications

Material Base: Crastin/PBT (green)  
Upper section: PA (transparent)

Tightening torque, fastening screws max. 1.5 Nm

Dimensions 40 mm x 44 mm x 24 mm

Release date: 2020-06-22 Date of issue: 2020-06-29 Filename: 000050\_eng.pdf

Refer to "General Notes Relating to Pepperl+Fuchs Product Information".

Pepperl+Fuchs Group  
www.pepperl-fuchs.com

USA: +1 330 486 0001  
fa-info@us.pepperl-fuchs.com

Germany: +49 621 776 1111  
fa-info@de.pepperl-fuchs.com

Singapore: +65 6779 9091  
fa-info@sg.pepperl-fuchs.com

**PF** PEPPERL+FUCHS