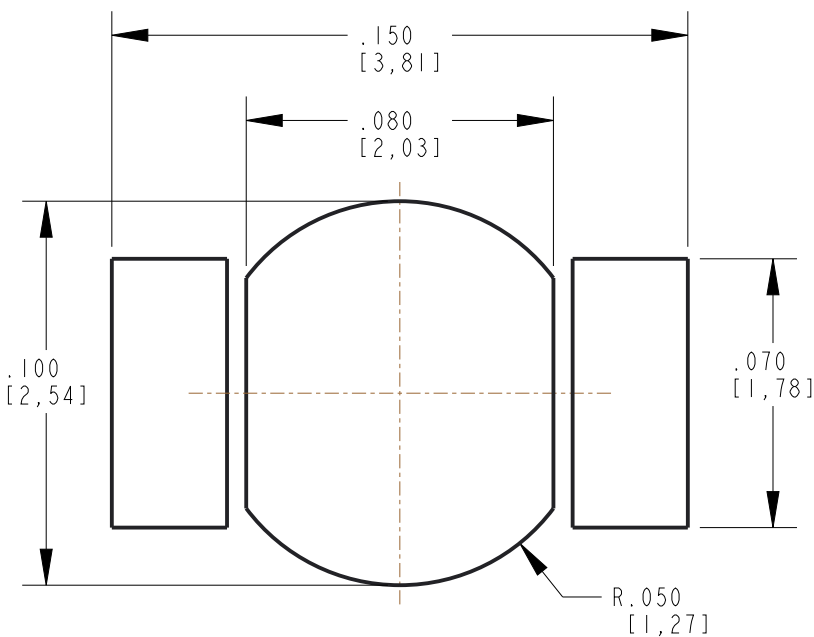
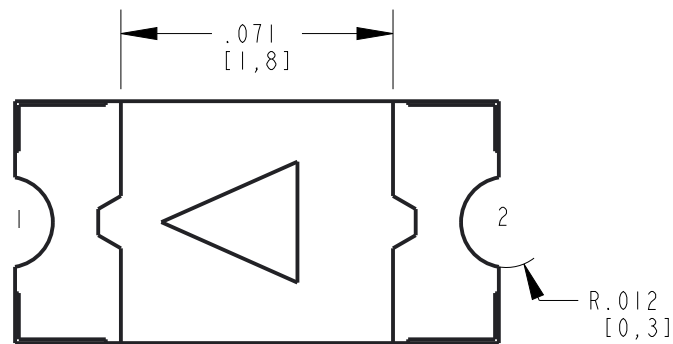
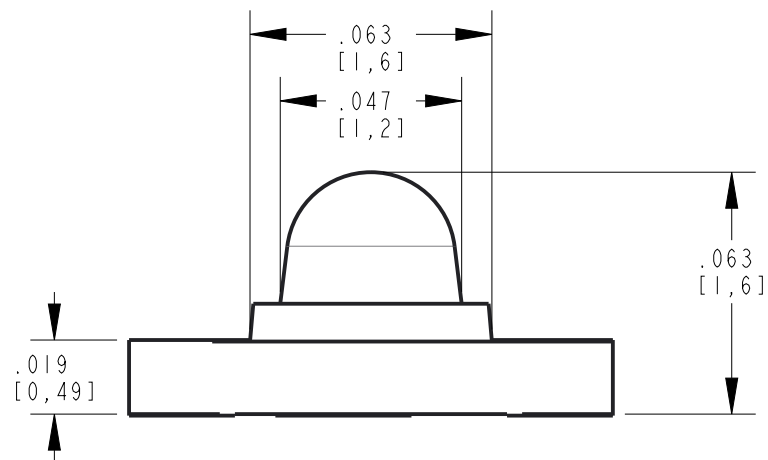
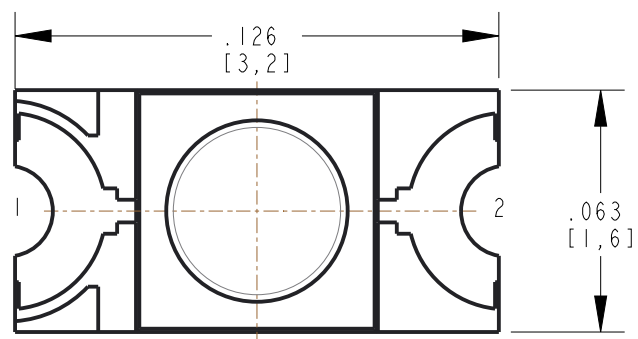
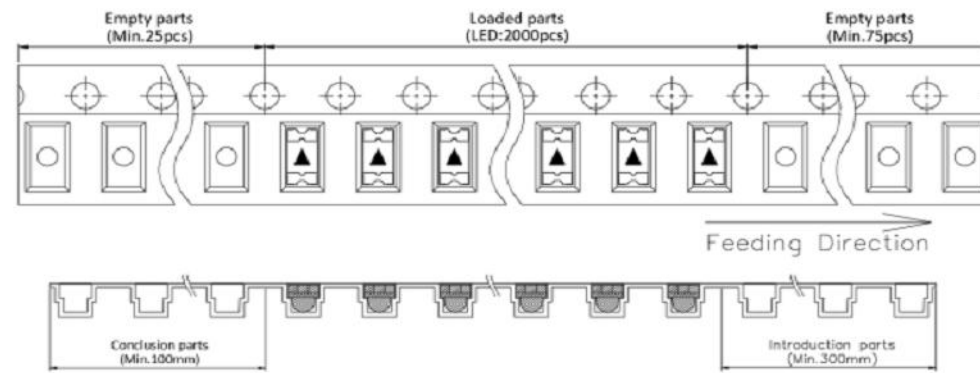
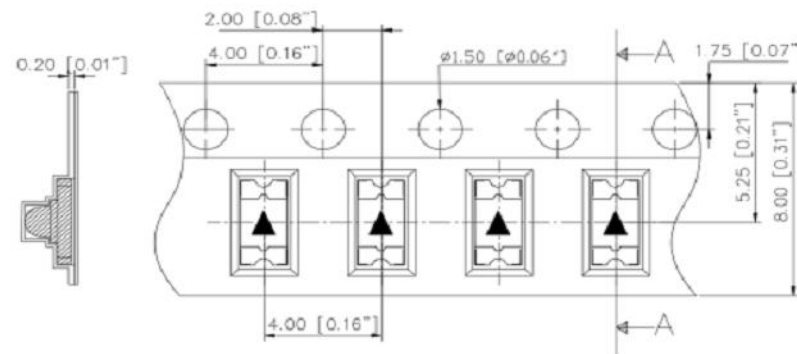
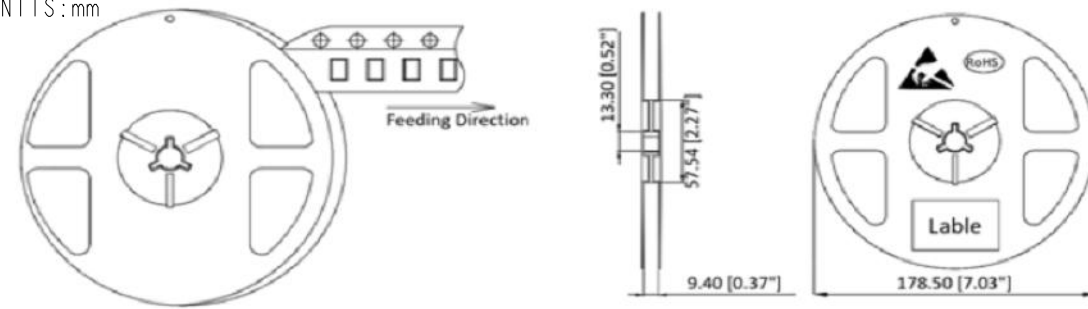


REV	ECN NO	REVISIONS	DRN	CKD	APP	QA	CM	DATE
A	95158	NEW RELEASE	LD	NO	CS			7-14-22
B	99313	VIEWING ANGLE WAS 130	LD		CS			11-3-22

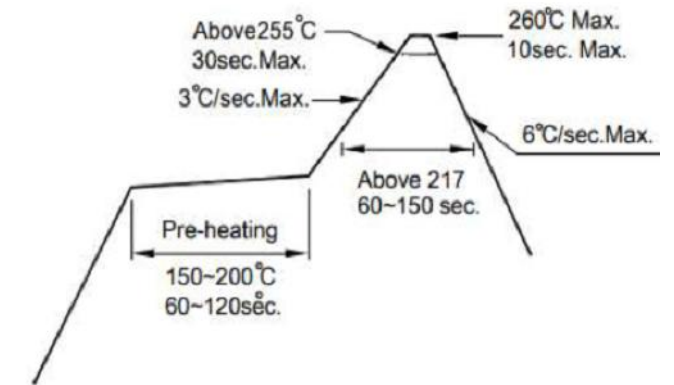
PACKAGE DIMENSIONS OF TAPE AND REEL

UNITS: mm



SUGGEST SOLDERING PAD DIMENSIONS

RECOMMENDED ROHS SOLDER PROFILE



NOTES:

- DIALIGHT PART NUMBER:  
597-6022-107F is a 7in. reel with 2000 pieces.  
597-6022-102F is a 20 pc sample strip.
- THIS PRODUCT IS RoHS COMPLIANT. EACH BAG IS TO BE MARKED WITH RoHS COMPLIANT LABEL OR EQUIVALENT MARKINGS. LED MUST BE Pb FREE.
- LED is MSL 3



**ATTENTION:**  
OBSERVE PRECAUTIONS FOR  
HANDLING ELECTROSTATIC  
SENSITIVE DEVICES

ABSOLUTE MAXIMUM RATINGS AT 25°C AMBIENT		VALUES	UNITS
POWER DISSIPATION		72	mW
CONTINUOUS FORWARD CURRENT		30	mA
PEAK FORWARD CURRENT (1/10 DUTY CYCLE, 10ms PULSE WIDTH)		125	mA
REFLOW SOLDERING TEMPERATURE FOR 5 SEC.		260	°C
OPERATING TEMPERATURE		-40 TO +85	°C
STORAGE TEMPERATURE		-40 TO +85	°C

OPERATING CHARACTERISTICS AT 25°C AMBIENT										
LED COLOR	TEST CONDITION (mA)	LUMINOUS INTENSITY (mcd)			FORWARD VOLTAGE (V)		DOMINANT WAVELENGTH (nm)		REVERSE CURRENT (uA)	VIEWING ANGLE (DEGREES)
		TYP	MIN	TYP	MAX	MIN	MAX	MIN	MAX	MAX
RED	20	630	1000	1600	1.8	2.4	620	630	10	30

THIS DRAWING AND THE CONTENTS HEREIN ARE CONFIDENTIAL AND THE SOLE PROPERTY OF DIALIGHT CORP. REPRODUCTION OF THIS DRAWING OR CONSTRUCTION OF ANY PARTS WITHIN THIS DRAWING ARE FORBIDDEN WITHOUT THE WRITTEN CONSENT OF DIALIGHT CORP.

DIALIGHT CORP. INTERNAL REFERENCE ONLY = 3D MODEL : 0603.SINGLE-

SCALE: 20.000	DRAWING NUMBER	REV
ALL DIM's: INCH (mm)	C-18572	B
TOLERANCES: UNLESS OTHERWISE SPECIFIED	TITLE	
FRACTIONS: ±1/64	SM 1206 RED REVMT W/ LENS	
DECIMALS (.XX): ±.01	MATERIAL	
DECIMALS (.XXX): ±.005		
DECIMALS (.XXXX): ±.0005		
ANGLES: ±1°		
FINISH		
FSCM 83330	SHEET 1 OF 1 FAMILY TABLE:	

**Dialight** 1501 ROUTE 34 SOUTH  
FARMINGDALE, NJ 07727  
(732) 919-3119  
www.dialight.com