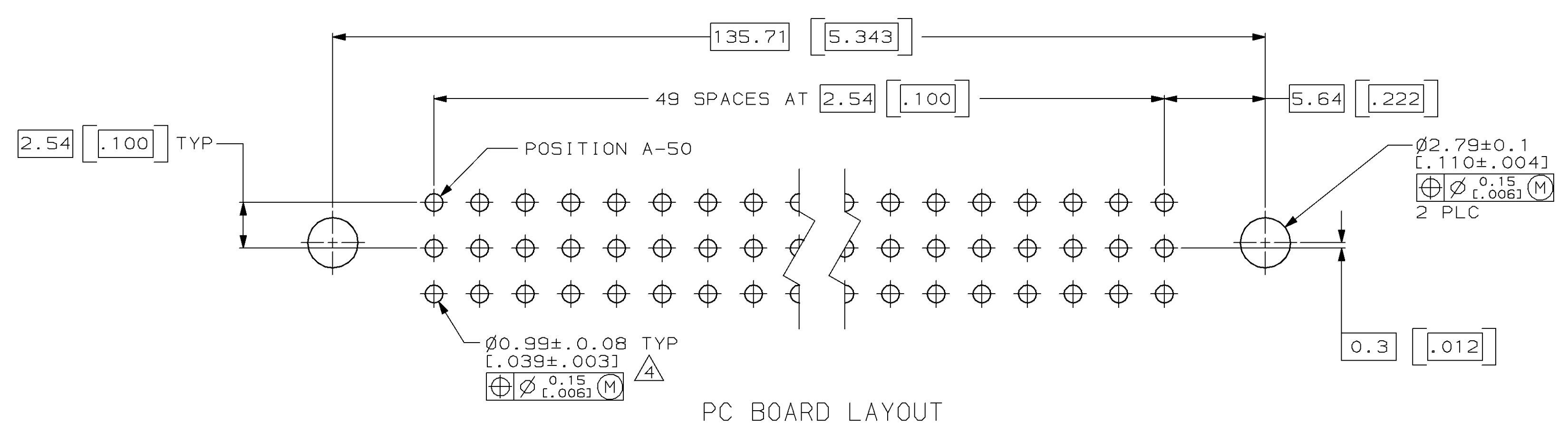
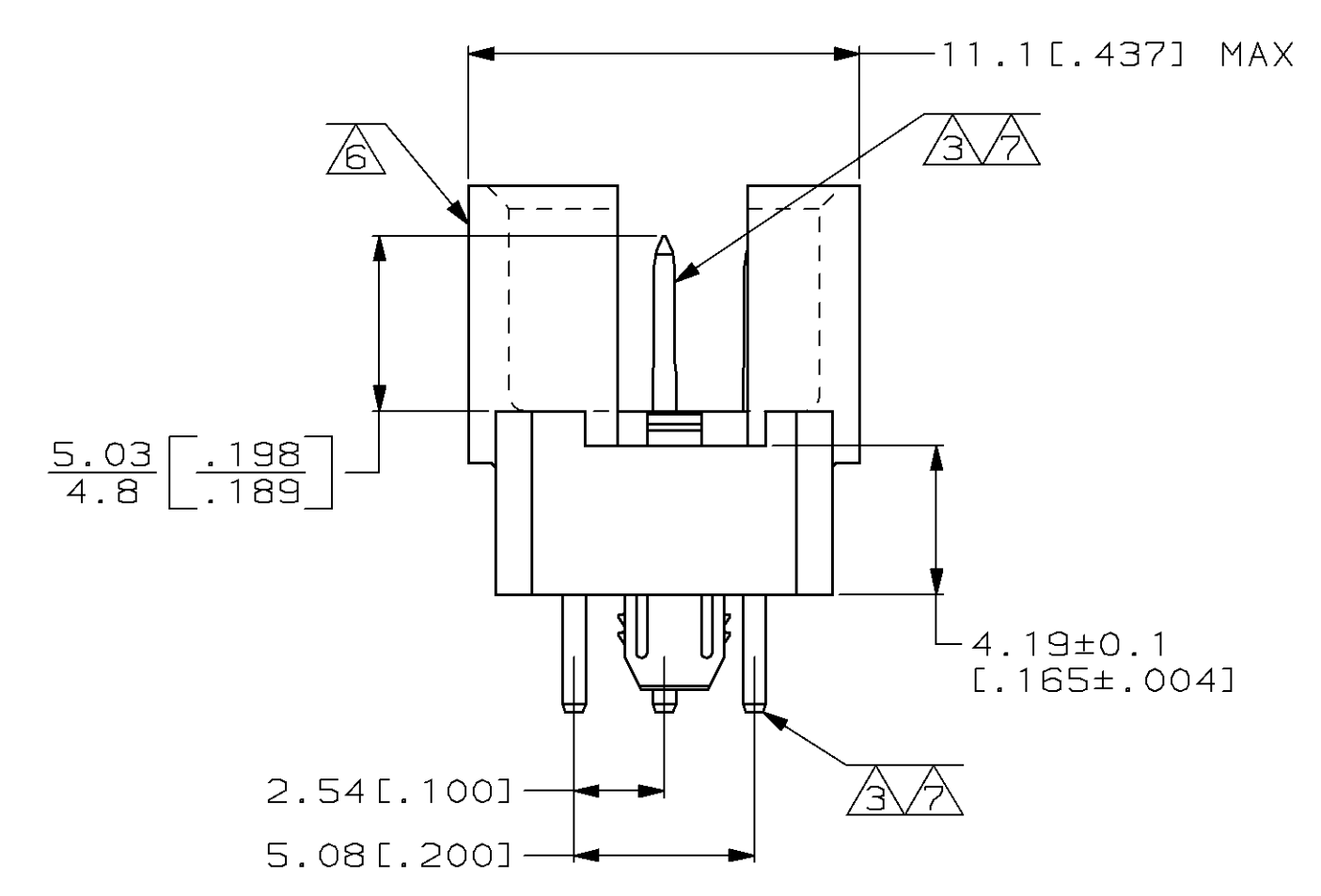
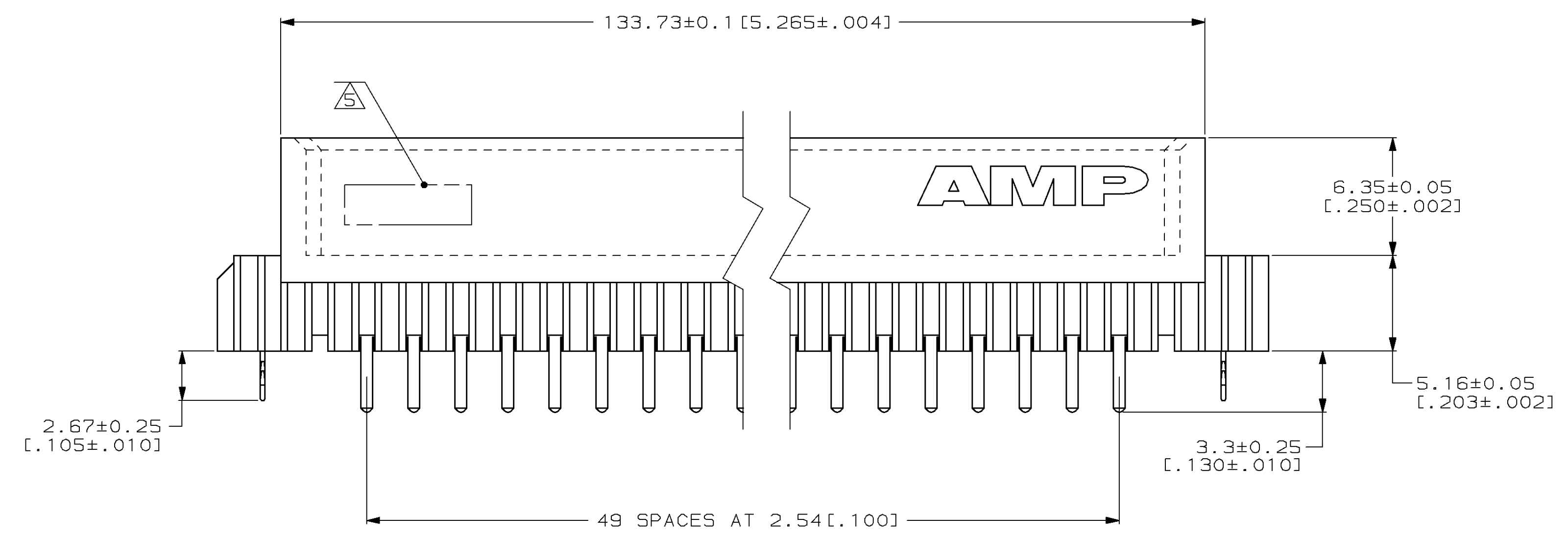
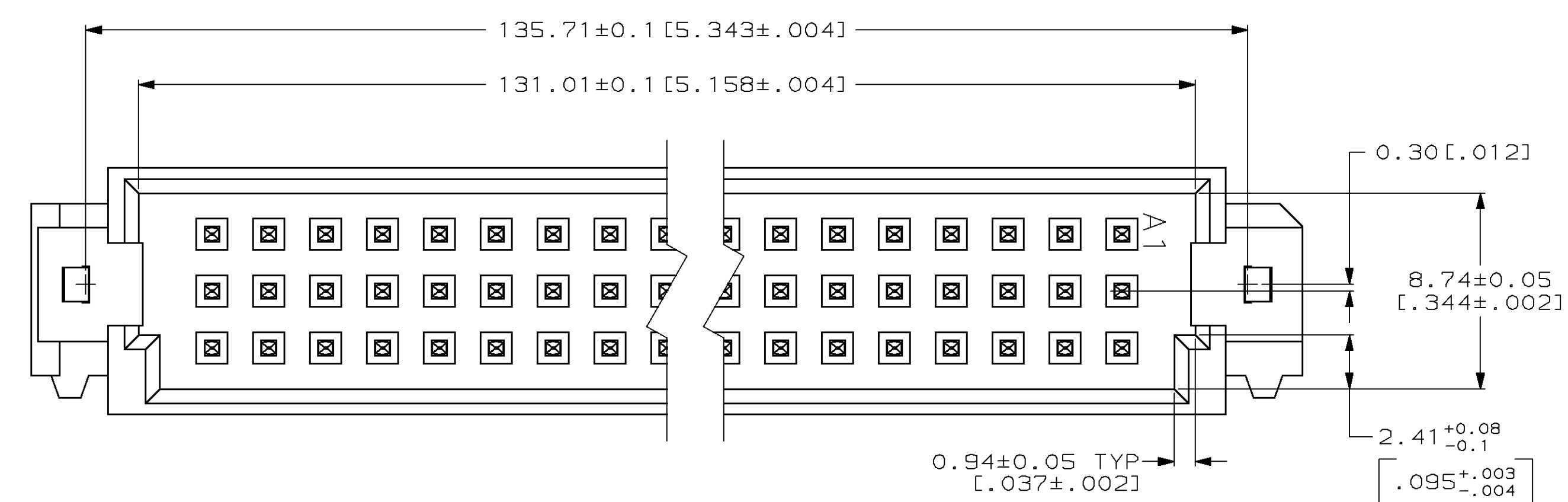


LOC		DIST		P		F		ZONE		LTR		REVISIONS			
AD	25											DESCRIPTION	DATE	APPD	
												A	EC 0504-0087-96	11/18/96	CR

- ① HOUSING MATERIAL: GLASS-FILLED POLYESTER. COLOR: GRAY.
- ② POST MATERIAL: BRASS.
- ③ POST FINISH: DIN 41612 CLASS 2 IN CONTACT AREA. TIN-LEAD PLATE ON POSTS.
- ④ RECOMMENDED HOLE SIZE FOR MANUAL APPLICATION OF CONNECTOR ONTO PC BOARD.
- ⑤ [PART NUMBER, DATE CODE] MARKED THIS APPROXIMATE AREA.
- ⑥ MARKING ON THIS SIDE.
- ⑦ POST FINISH: DIN 41612 CLASS 3 IN CONTACT AREA. TIN-LEAD PLATE ON POSTS.



SUPERSEDED BY 536427-5

REV	DESCRIPTION	DATE	BY	CHK	APPD	NO. OF LOADED POSITION	ASSY PART NUMBER
1		11/21/92	L. BRINER	R. PATTERSON	D.C. RUBENDALL	150	536427-9
2		12/11/92	R. PATTERSON	R. PATTERSON	D.C. RUBENDALL	150	536427-5

DO NOT SCALE PRINT. UNLESS SPECIFIED DIMENSIONS IN mm [INCHES]		PART NO	
DR	L. BRINER 11/21/92	AMP Incorporated Harrisburg, PA 17105-3608	
CHK	R. PATTERSON 12/11/92	NAME	
TOLERANCES UNLESS SPECIFIED		PIN ASSEMBLY, EUROCARD, TYPE "R" WITH BOARD-LOCKS	
1 PLC DEC ± -		SIZE	
2 PLC DEC ± 0.13(.005)		D 00779	
ANGLES ± -		DRAWING NO	
		C-536427	
MATERIAL		SCALE	5:1
HSG: ① -		SHEET 1 OF 1	
POST: ② -		CUSTOMER DRAWING	
FINISH			
POST: ③④ -			
APPLICATION SPEC			
WEIGHT			

THIS DRAWING IS A CONTROLLED DOCUMENT FOR AMP INCORPORATED. IT IS SUBJECT TO CHANGE AND THE CONTROLLING ENGINEERING ORGANIZATION SHOULD BE CONTACTED FOR THE LATEST REVISION.