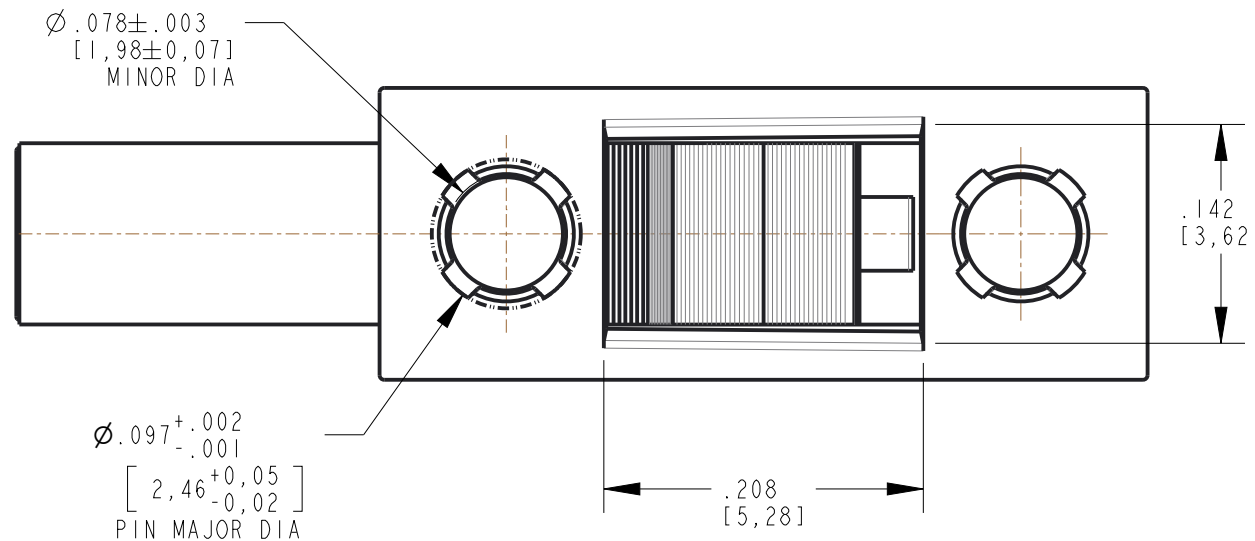
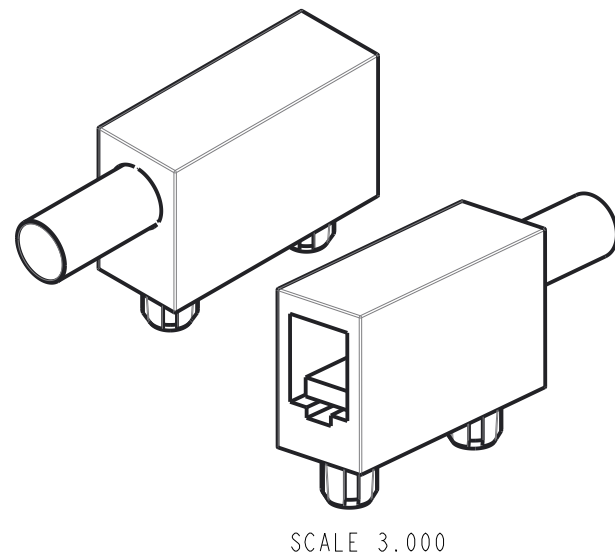
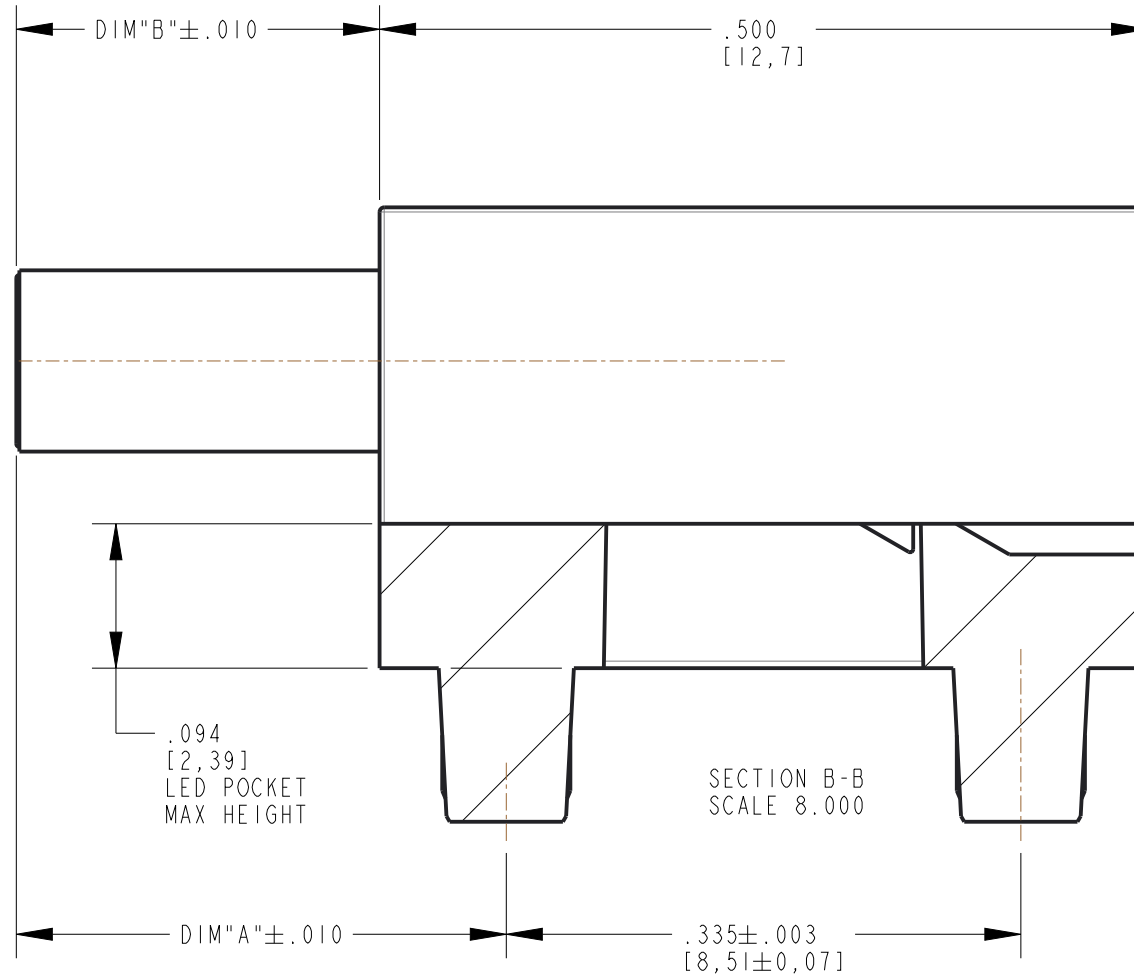
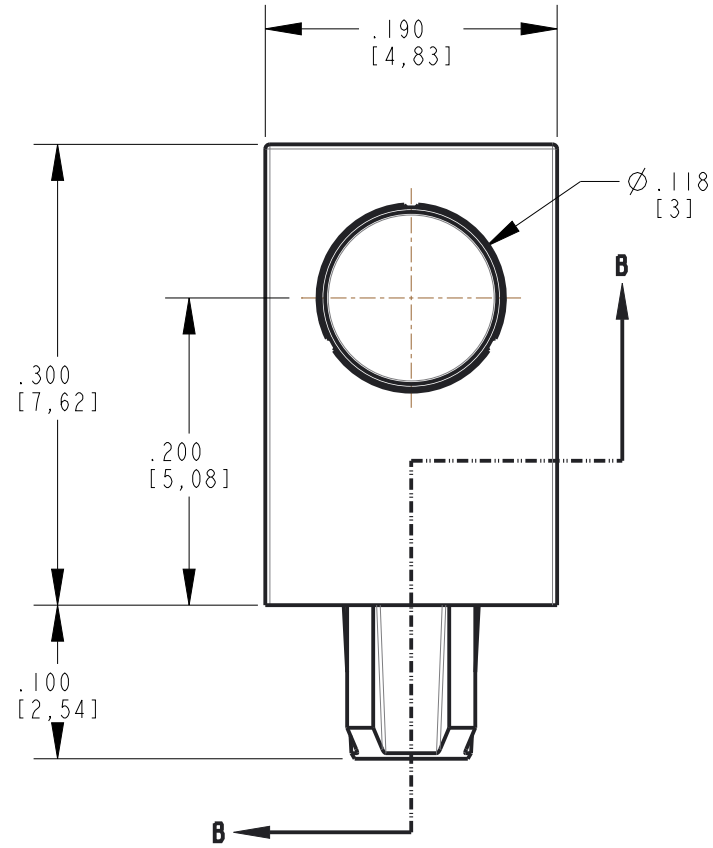
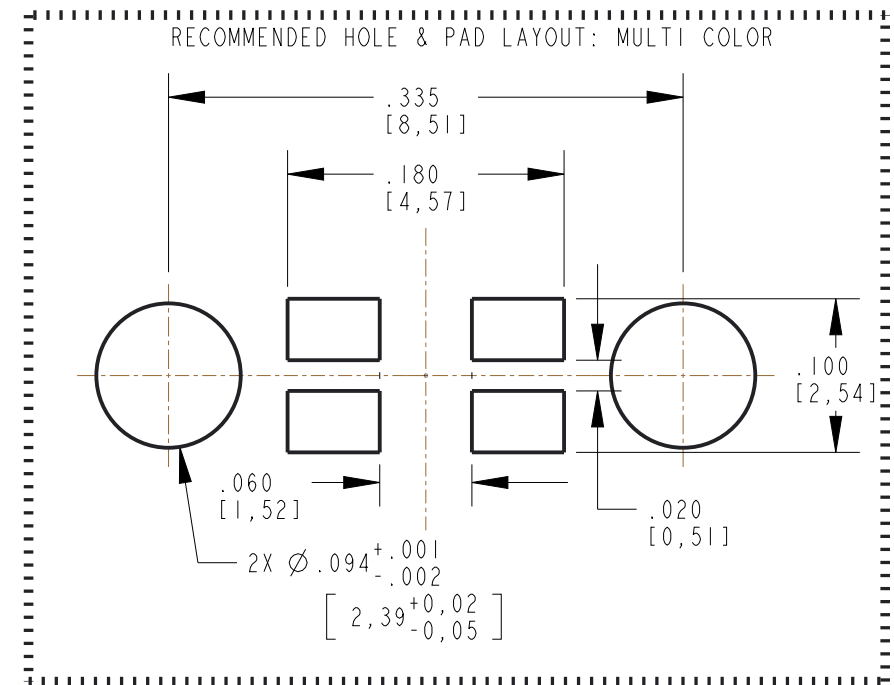
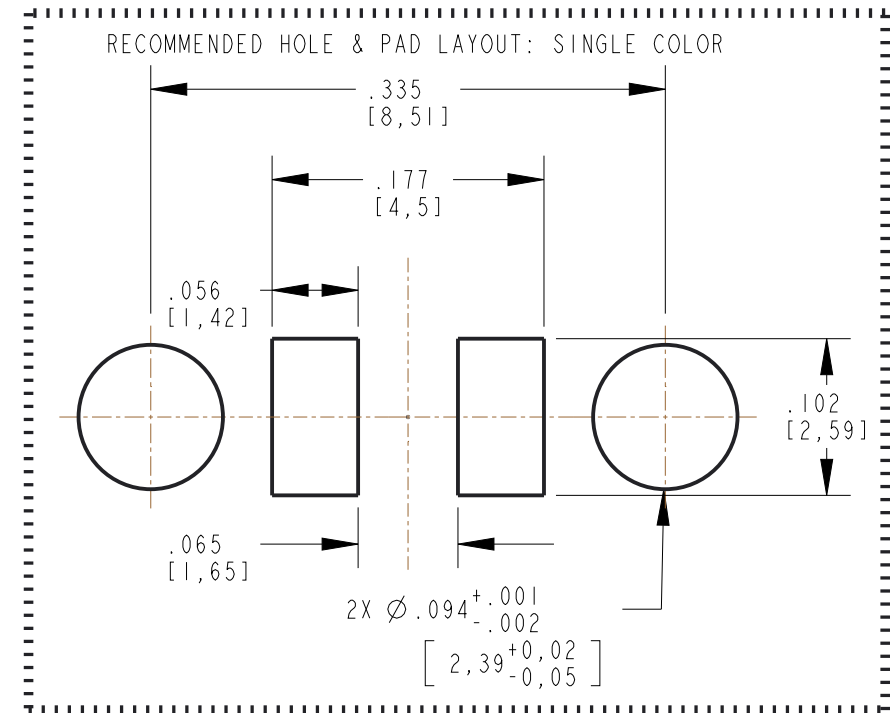


PART NUMBER	DIM "A" in[mm]	DIM "B" in[mm]
515-1250-0319F	.319 [8,10]	.237 [6,01]
515-1250-0590F	.590 [15,00]	.508 [12,90]
515-1250-1181F	1.181 [30,00]	1.099 [27,91]
515-1250-1772F	1.772 [45,00]	1.690 [42,93]

- NOTES:
1. THIS PRODUCT IS RoHS COMPLIANT. EACH BAG IS MARKED WITH RoHS COMPLIANT OR EQUIVALENT MARKINGS.
  2. SUGGEST PAD LAYOUT FOR SM PLLC 2 AND PLCC-4 LEDS.
  3. SUGGESTED LEDs:  
597-3XXX-207F/NF, 598-8BX0-107F,  
B1-COLOR: 597-77XX-207F,007F  
TRI-COLOR: 597-77XX-007F,907F



REV	REVISIONS	DRN	CKD	APP	QA	CM	DATE
A	NEW RELEASE	LD					



THIS DRAWING AND THE CONTENTS HEREIN ARE CONFIDENTIAL AND THE SOLE PROPERTY OF DIALIGHT CORP. REPRODUCTION OF THIS DRAWING OR CONSTRUCTION OF ANY PARTS WITHIN THIS DRAWING ARE FORBIDDEN WITHOUT THE WRITTEN CONSENT OF DIALIGHT CORP.

DIALIGHT CORP INTERNAL REFERENCE ONLY = 3D MODEL : 5151250XXXXF-A.26

SCALE: 8,000	DRAWING NUMBER	REV
ALL DIM's: INCH (mm)	C-18531	A
TOLERANCES: UNLESS OTHERWISE SPECIFIED	TITLE VARIABLE LP ASSEMBLY .200" HEIGHT	
FRACTIONS: ±1/64	MATERIAL	
DECIMALS (.XX): ±.01	Dialight	
DECIMALS (.XXX): ±.005	1501 ROUTE 34 SOUTH	
DECIMALS (.XXXX): ±.0005	FARMINGDALE, NJ 07727	
ANGLES: ±1°	(732) 919-3119	
FINISH	www.dialight.com	
FSCM 83330	SHEET 1 OF 1	FAMILY TABLE: