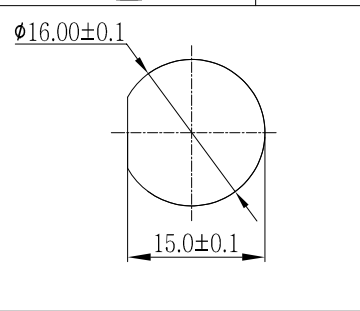
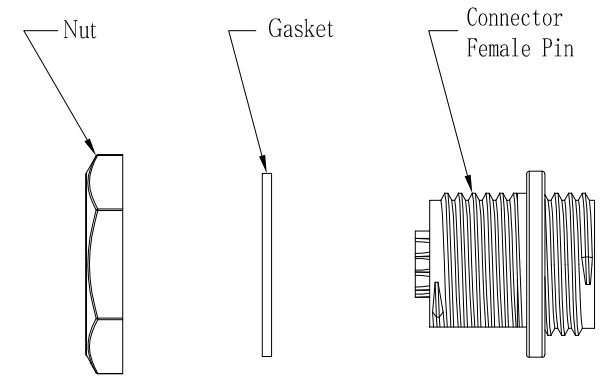
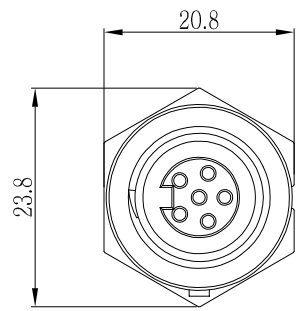
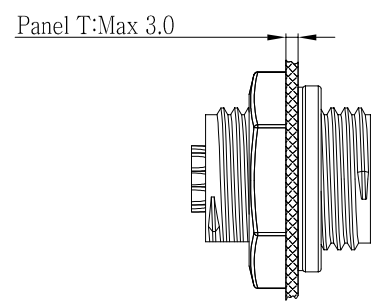
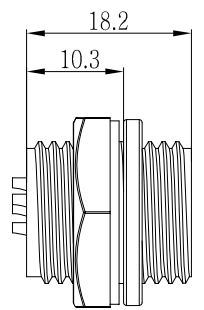


THIS INFORMATION IS CONFIDENTIAL AND IS DISCLOSED TO YOU ON CONDITION THAT NO FURTHER DISCLOSURE IS MADE BY YOU TO OTHER THAN CHOGORI PERSONNEL WITHOUT AUTHORIZATION FROM CHOGORI CORP.

REV.	ECN NO.	DESCRIPTION	SIGN	DATE
C1	N/A	INITIAL DRAWING	Yumer	2020/05/13



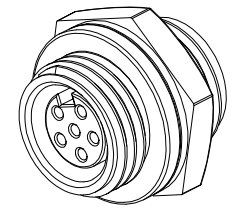
Recommended Panel Cut-Out



- Specification:
1. Operation Temperature: $-45^{\circ}\text{C} \sim 105^{\circ}\text{C}$.
 2. Insulation Resistance: $100\text{M}\Omega$ at DC500V.
 3. Contact Resistance: $<10\text{m}\Omega$.
 4. Withstand Voltage: 1300V AC
 5. Operating Current: 5A
 6. Operating Voltage: AC 60V
 7. Waterproof Rate: IP67 (Mated)
 8. Connector: Nylon, Black
 9. Female Pin: Copper Alloy, Gold Plated
 10. Gasket: Silicon Gray
 11. Panel Nut: Nylon, Black
 12. Torque Rate: $0.8 \sim 1.0\text{N} \cdot \text{m}$
 13. RoHS Compliant.
 14. UL Compliant.
 15. Mating Cap P/N: 806-00030-00

22XXX615-03
Pin Number

2 Pin	3 Pin
P/N: 22002615-03	P/N: 22003615-03
Pin Assignments Front View	



UNIT:mm		DESCRIPTION		PART NO		DRAWN BY		DATE	
TOLERANCE .X ± 0.25 .XX ± 0.15 .XXX ± 0.05 ANGLES $\pm 1^{\circ}$		Standard Series Screw Rear Mount With Female Pin		CHOGORI [®]		22XXX615-03		Yumer	
SCALE: 1:1		SHEET 1 OF 1		DWG NO		CHECKED BY Ivan		DATE 2020/05/13	
REV. C1		SIZE A4		CUSTOMER		APPROVED BY Panson		DATE 2020/05/13	
		* :Inspection Item							