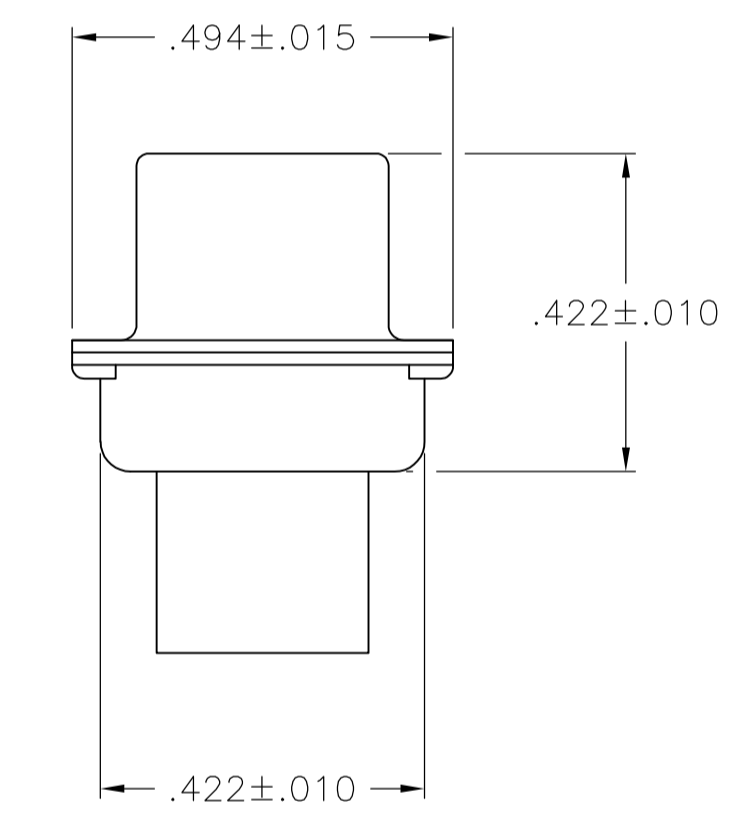
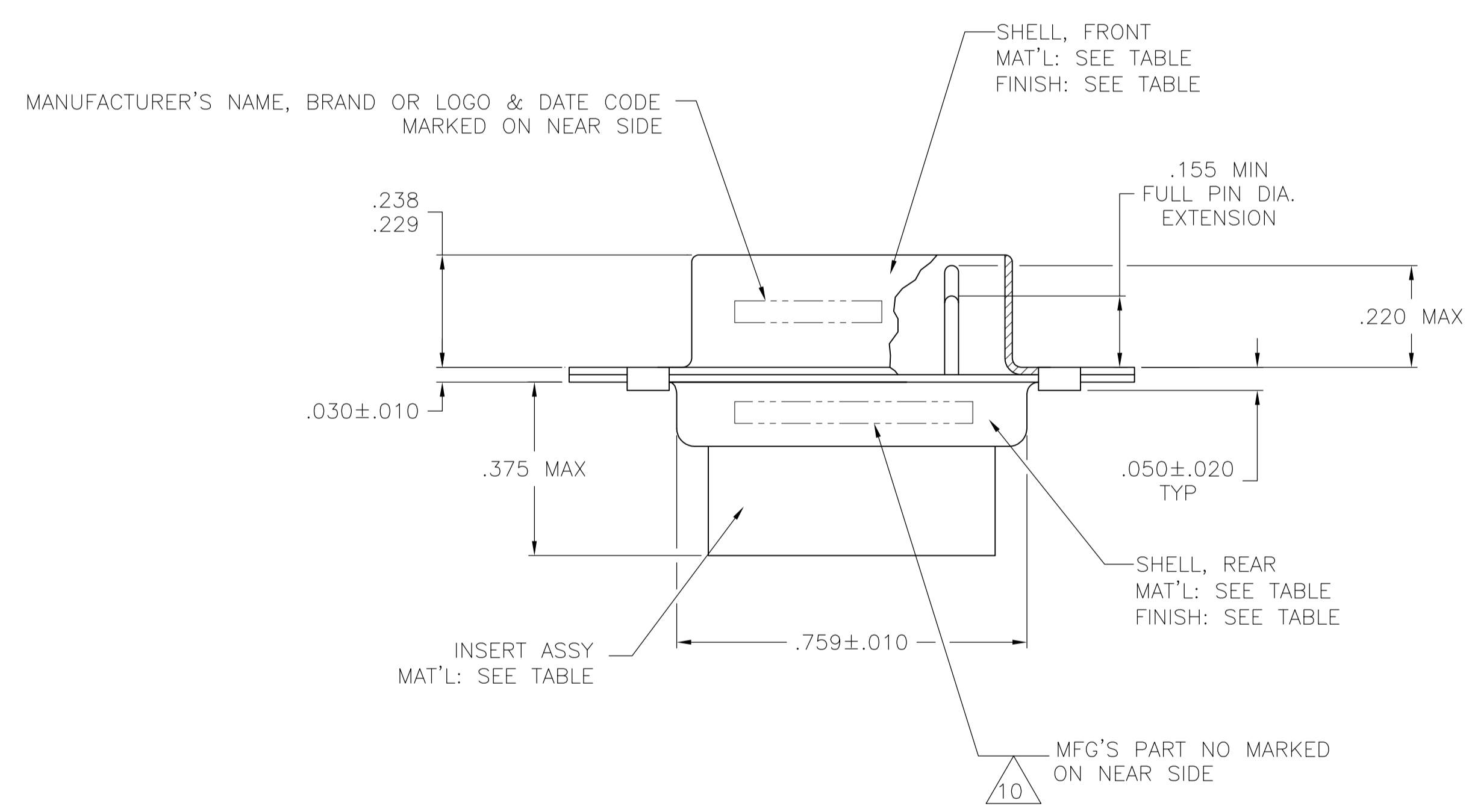
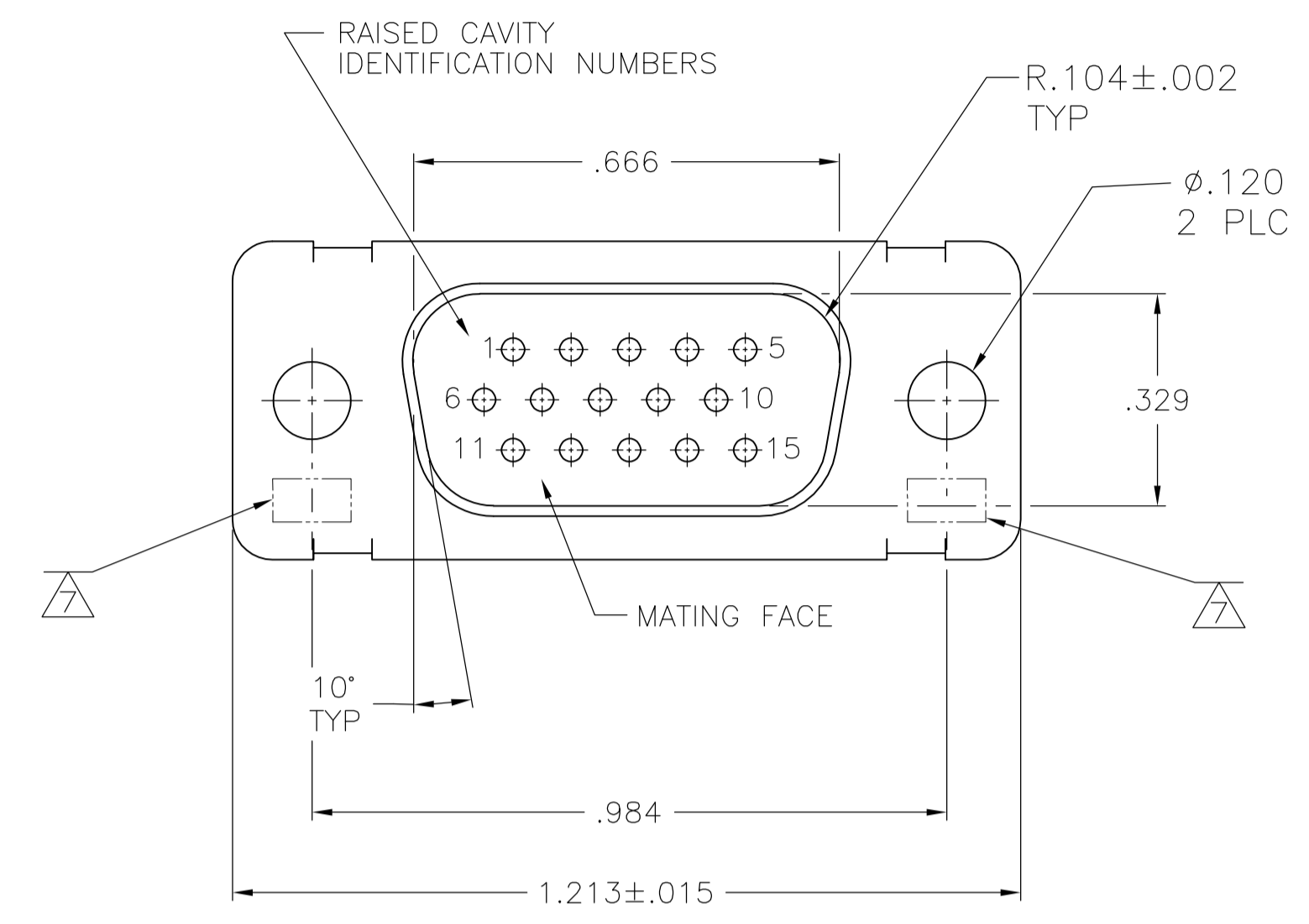


REVISONS		DATE	BY	APPV
NO	DESCRIPTION			
AA2	REVISED PER ECO-15-016062	09NOV15	KG	CD

- THIS PLUG IS DESIGNED TO CONFORM TO THE LATEST ISSUE OF MIL-C-24308.
- MAX WIRE INSULATION TO BE USED WITH THIS PLUG IS .054 DIA.
- METAL RETENTION CLIPS ARE INCLUDED IN INSERTS.
- PACKAGE STAMPED M 24308/4-264F.
- THIS PLUG WILL ACCEPT SIZE 22 PIN CONTACT M 39029/58-360 OR ANY TE CONNECTIVITY HDD-22 PIN CONTACT.
- TE CONNECTIVITY PART NO. MARKED ON CONNECTOR REPRESENTS KIT NUMBER WITH CONTACTS.
- UL / CSA DESIGNATION STAMPED ON SHELL.
- PART NO. 204501-4, -5 & 5--4 HAS GROUNDING INDENTS ON FRONT SHELL. (NOT SHOWN)
- FINISH: BRIGHT TIN .000400-.000550 THK PER ASTM-B-545 OVER COPPER .000050 MIN THK PER AMS2418.
- M24308/4-11F MARKED ON FAR SIDE. 204513-2 MARKED ON NEAR SIDE.
- CONTACTS ARE NOT INCLUDED IN THIS ASSEMBLY. MUST BE ORDERED SEPARATELY.
- SAME AS 204501-5 EXCEPT WITHOUT GROUNDING INDENTS.



8 11	BRIGHT TIN	STEEL, CLASS G	POLYPHENYLENE SULFIDE (PPS) PER GST-40F COLOR: BLACK	5-204501-4
12	9	STEEL, CLASS G	POLYPHENYLENE SULFIDE (PPS) GST-40F PER MIL-M-24519 OR GLASS FILLED POLYESTER TPES013G30 PER ASTM D5927	204501-6
8 11	9	STEEL, CLASS G	POLYPHENYLENE SULFIDE (PPS) GST-40F PER MIL-M-24519 OR GLASS FILLED POLYESTER TPES013G30 PER ASTM D5927	204501-5
8 11	BRIGHT TIN	STEEL, CLASS G	POLYPHENYLENE SULFIDE (PPS) GST-40F PER MIL-M-24519 OR GLASS FILLED POLYESTER TPES013G30 PER ASTM D5927	204501-4
SUPSD BY 204501-1 11	CADMIUM	STEEL, CLASS G	PHENOLIC COLOR: BLACK	204501-3
SUPSD BY 206498-4 6	CADMIUM	STEEL, CLASS G	GLASS FIBER REINF, FLAME RETARDANT POLYESTER COLOR: BLUE	204501-2
4 6 10 11	CADMIUM	STEEL, CLASS G	POLYPHENYLENE SULFIDE (PPS) GST-40F PER MIL-M-24519 OR GLASS FILLED POLYESTER TPES013G30 PER ASTM D5927	204501-1
REMARKS	SHELL FINISH	SHELL MAT'L	INSERT MAT'L	PART NUMBER

THIS DRAWING IS A CONTROLLED DOCUMENT.

DIMENSIONS: INCHES	TOLERANCES UNLESS OTHERWISE SPECIFIED:	DIN C.C.THOMAS 23APR01	APPROVED: J.MARKEY 23APR01	NAME: PLUG ASSY,AMPLIMITE,15 POSN SIZE 1,SERIES 90
0 PLC ± -	1 PLC ± -	2 PLC ± -	3 PLC ± .005	4 PLC ± -
ANGLES ± °', 30'				
MATERIAL SEE CALLOUTS	FINISH SEE CALLOUTS	WEIGHT	SIZE: A1 00779	DRAWING NO: 204501
CUSTOMER DRAWING		SCALE: 4:1	SHEET: 1 OF 1	REV: AA2

STE TE Connectivity