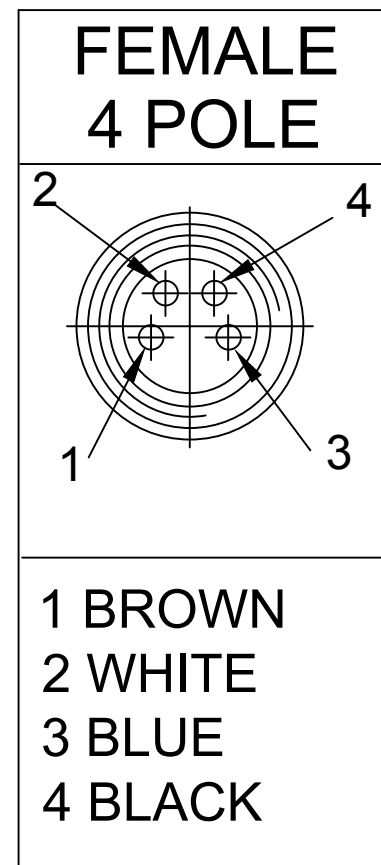
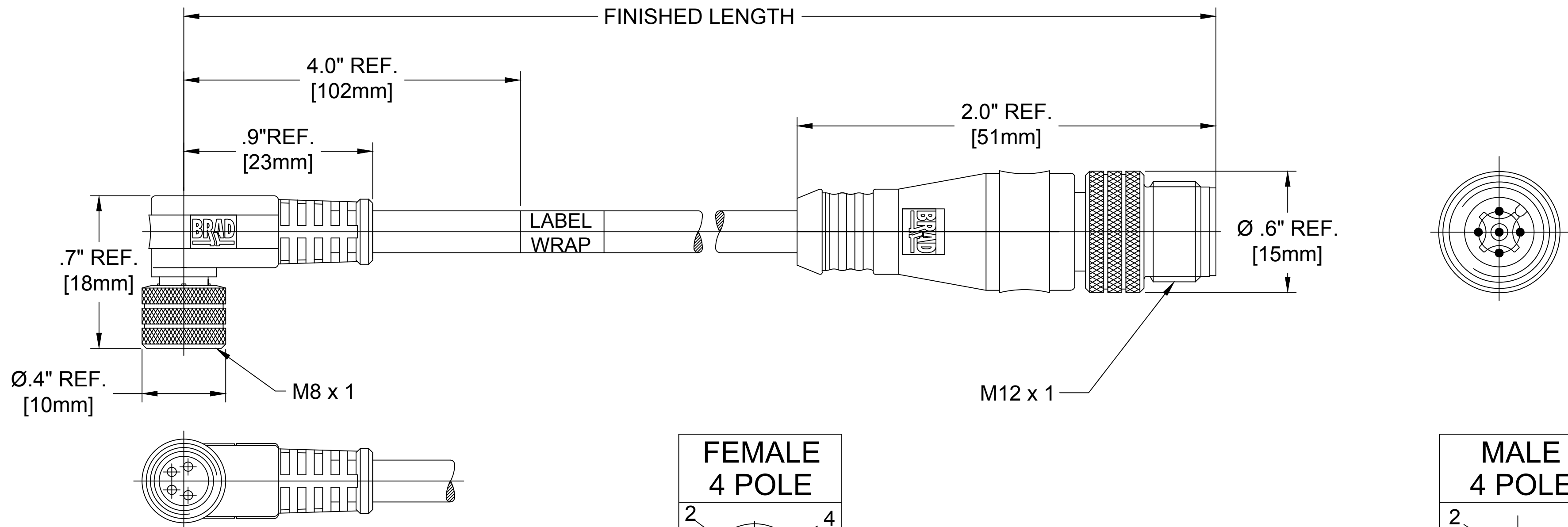


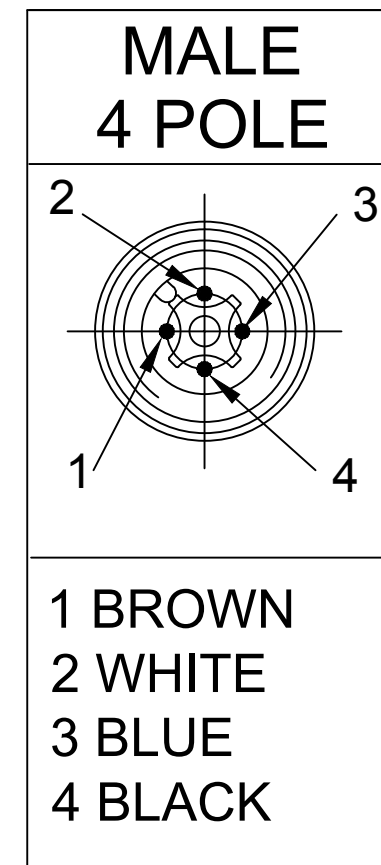
MATERIAL NUMBER	OLD PART NUMBER	FINISHED LENGTH
1200868558	484031K05M006	0.6M +44.5mm -0 [2.0FT. +1.75IN -0]
1200868559	484031K05M010	1M +55.6mm -0 [3.3FT. +2.2IN -0]
1200868560	484031K05M020	2M +88.9mm -0 [6.6FT. +3.5IN -0]
1200868561	484031K05M050	5M +317.5mm -0 [16.4FT. +12.5IN -0]



484031K05M006

cable type
4 x 0.34mm²
TPE YELLOW

cable length
006----.6 Meters
010----1 Meter



SPECIFICATION DATA

COMPONENT	MATERIAL	FINISH
LABEL	MYLAR	BLACK/YELLOW
COUPLER	BRASS	NICKEL PLATED
CONTACT	COPPER ALLOY	Au OVER Ni
INSERT	PUR	BLACK
OVERMOLD	TPE	YELLOW
CABLE	TPE	YELLOW
VOLTAGE RATING:		60V AC / 75V DC
AMPERAGE RATING:		4A
PROTECTION CLASS:		IP 67
OPERATING TEMPERATURE:		-40°C / 105°C

RELEASE EC NO: IFCG2014-0760 DRWN: GGUSTAFS 2013/10/14 CH'KD: BARDEN APPR: BWOODMAN2013/12/02	DESCRIPTION REV	QUALITY SYMBOL	GENERAL TOLERANCES (UNLESS SPECIFIED) mm INCH 4 PLACES ±--- ±--- 3 PLACES ±--- ±.005 2 PLACES ±.13 ±.010 1 PLACE ±.25 ±.020 ANGULAR ±.5° DRAFT WHERE APPLICABLE MUST REMAIN WITHIN DIMENSIONS	DIMENSION STYLE	SCALE	DESIGN UNITS	THIRD ANGLE PROJECTION NANO CHANGE MIRCO CHANGE 4 POLE FEMALE/MALE 90/ST #22 TPE MOLEX INCORPORATED SD-120086-059 SHEET NO. 1 OF 1
		IN/MM		NTS	INCH		
		DRAWN BY DATE		TITLE			
		GGUSTAFS 2013/10/09		NANO CHANGE MIRCO CHANGE 4 POLE FEMALE/MALE 90/ST #22 TPE			
CHECKED BY DATE	APPROVED BY DATE		MATERIAL NO.	DOCUMENT NO.	SHEET NO.		
BARDEN 2013/11/20	BWOODMAN 2013/12/02		SEE CHART	SD-120086-059	1 OF 1		
APPROVED BY DATE			THIS DRAWING CONTAINS INFORMATION THAT IS PROPRIETARY TO MOLEX INCORPORATED AND SHOULD NOT BE USED WITHOUT WRITTEN PERMISSION				
BWOODMAN 2013/12/02							