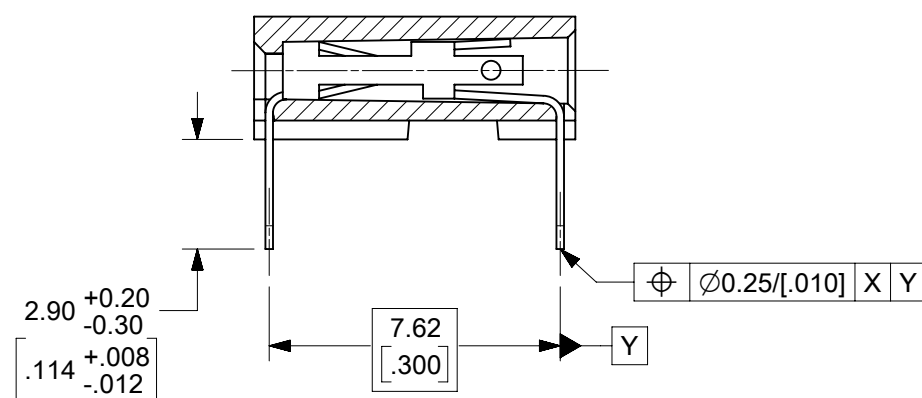
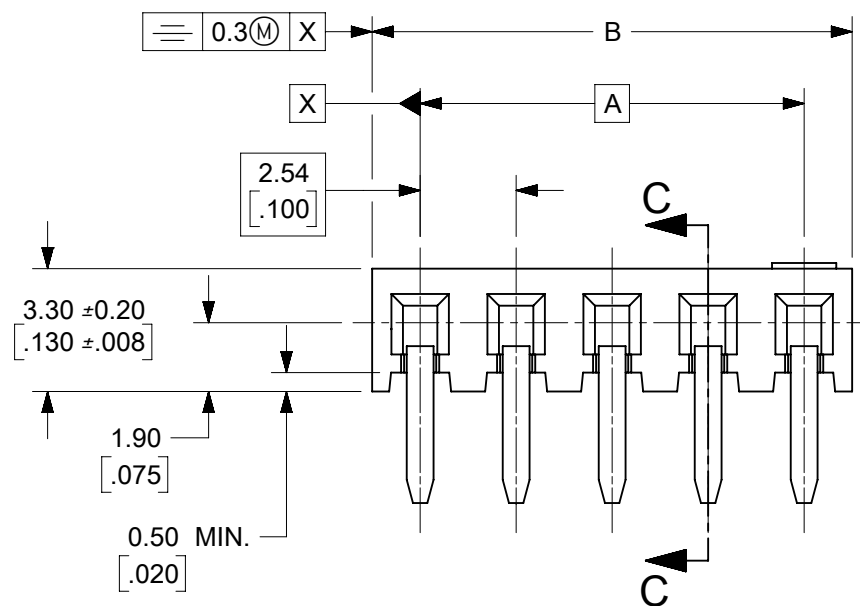


RECOMMENDED P.C. BOARD HOLE PATTERN FOR STRAIGHT PINS



SECTION C-C SHOWING STRAIGHT PINS

NOTES:

- CONTACT-PLATED PHOSPHER BRONZE. (SEE SHEET 2)
- HOUSING  
POLYESTER (PBT), 15% GLASS FILL, UL94-V0.  
COLOR: BLACK.  
ALSO  
POLYAMIDE (PA4/6), 30% GLASS FILL, UL94V-0.  
COLOR: NATURAL.
- FOR 0.635/[0.025] SQ. MALE PINS THE LENGTH MUST BE 5.65/[0.222] MIN. & 7.00/[0.276] MAX. TO ENSURE GOOD CONNECTION WITH CONTACT.
- PRODUCT SPECIFICATION: PS-99020-0001
- PCB THICKNESS 1.6MM

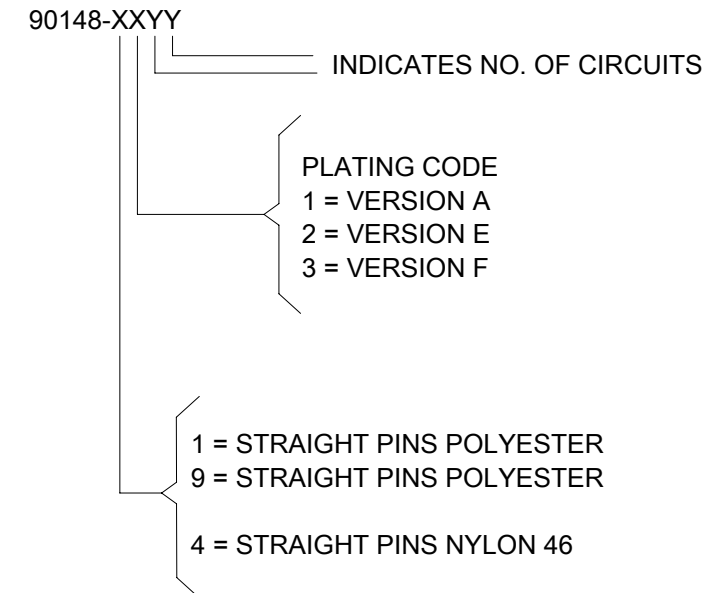
THIS DRAWING CONTAINS INFORMATION THAT IS PROPRIETARY TO MOLEX ELECTRONIC TECHNOLOGIES, LLC AND SHOULD NOT BE USED WITHOUT WRITTEN PERMISSION											
DIMENSION UNITS		SCALE		CURRENT REV DESC: MIGRATED TO NX						<b>molex</b>	
MM/INCH		NTS									
GENERAL TOLERANCES (UNLESS SPECIFIED)				EC NO: 613447		DRWN: ABABU01		2019/03/04		C-GRID III SINGLE ROW HORIZONTAL P.C BOARD CONN.	
4 PLACES		±		CHK'D: NMANE02		2019/03/11		PRODUCT CUSTOMER DRAWING			
3 PLACES		±		APPR: MRAMAKRISHNA		2019/03/11		DOCUMENT NUMBER		DOC TYPE   DOC PART   REVISION	
2 PLACES		± 0.15		INITIAL REVISION:		DRWN: DB		SDA-90148		PSD   001   AK1	
1 PLACE		±		APPR: J.DENNEHY		2010/06/04		MATERIAL NUMBER		CUSTOMER	
0 PLACES		±		ANGULAR TOL ± 2.0°		THIRD ANGLE PROJECTION		DRAWING		SERIES	
DRAFT WHERE APPLICABLE MUST REMAIN WITHIN DIMENSIONS				B-SIZE		90148		SEE TABLE		GENERAL MARKET	
SHEET NUMBER		1 OF 3									

PART NO's - STRAIGHT PINS		PART NO.	NO. OF CKTS.	A	B <sup>+0</sup> -0.30 [B <sup>+0</sup> -.012]	NO. PER TUBE
STANDARD	CUSTOMER SPECIFIC					
90148-1X02	_____	90148-4X02	2	2.54/[.100]	5.08/[.200]	105
90148-1X03	_____	90148-4X03	3	5.08/[.200]	7.62/[.300]	72
90148-1X04	_____	90148-4X04	4	7.62/[.300]	10.16/[.400]	52
90148-1X05	_____	90148-4X05	5	10.16/[.400]	12.70/[.500]	44
90148-1X06	90148-9X06	90148-4X06	6	12.70/[.500]	15.24/[.600]	36
90148-1X07	_____	90148-4X07	7	15.24/[.600]	17.78/[.700]	30
90148-1X08	_____	90148-4X08	8	17.78/[.700]	20.32/[.800]	26
90148-1X09	_____	90148-4X09	9	20.32/[.800]	22.86/[.900]	24
90148-1X10	_____	90148-4X10	10	22.86/[.900]	25.40/[1.000]	22
90148-1X11	_____	90148-4X11	11	25.40/[1.000]	27.94/[1.100]	18
90148-1X12	_____	90148-4X12	12	27.94/[1.100]	30.48/[1.200]	18
90148-1X13	_____	90148-4X13	13	_____	_____	16
90148-1X14	_____	90148-4X14	14	33.02/[1.300]	35.56/[1.400]	14
90148-1X15	_____	90148-4X15	15	35.56/[1.400]	38.10/[1.500]	14
90148-1X16	_____	90148-4X16	16	_____	_____	13
90148-1X17	_____	90148-4X17	17	_____	_____	12
90148-1X18	_____	90148-4X18	18	43.18/[1.700]	45.72/[1.800]	12
90148-1X19	_____	90148-4X19	19	45.72/[1.800]	48.26/[1.900]	12
90148-1X20	_____	90148-4X20	20	48.26/[1.900]	50.80/[2.000]	11
90148-1X21	_____	90148-4X21	21	_____	_____	10
90148-1X22	_____	90148-4X22	22	_____	_____	10
90148-1X23	_____	90148-4X23	23	_____	_____	10
90148-1X24	_____	90148-4X24	24	_____	_____	9
90148-1X25	_____	90148-4X25	25	60.96/[2.400]	63.50/[2.500]	8
90148-1X26	_____	90148-4X26	26	63.50/[2.500]	66.04/[2.600]	8
90148-1X27	_____	90148-4X27	27	_____	_____	8
90148-1X28	_____	90148-4X28	28	_____	_____	7
90148-1X29	_____	90148-4X29	29	_____	_____	7
90148-1X30	_____	90148-4X30	30	73.66/[2.900]	76.20/[3.000]	7
90148-1X31	_____	90148-4X31	31	_____	_____	7
90148-1X32	_____	90148-4X32	32	78.74/[3.100]	81.28/[3.200]	6

**PLATING VERSION A**  
**PRE-PLATED HOT DIP TIN**  
 1.0 TO 2.5 MICRONS [.00004" TO .00010"].

**PLATING VERSION E**  
 1.27 TO 1.78 MICRONS [.00005" TO .00007"] NICKEL  
 OVERALL, 0.38 TO 0.64 MICRONS [.000015" TO .000025"]  
 GOLD ON CONTACT AREA (OVER NICKEL).  
 3 TO 5 MICRONS [.00012" TO .00020"] TIN  
 ON SOLDER TAILS (OVER NICKEL).

**PLATING VERSION F.**  
 1.27 TO 1.78 MICRONS [.00005" TO .00007"] NICKEL  
 OVERALL, 0.76 TO 1.0 MICRONS [.00003" TO .00004"]  
 GOLD ON CONTACT AREA (OVER NICKEL).  
 3 TO 5 MICRONS [.00012" TO .00020"] TIN  
 ON SOLDER TAILS (OVER NICKEL).

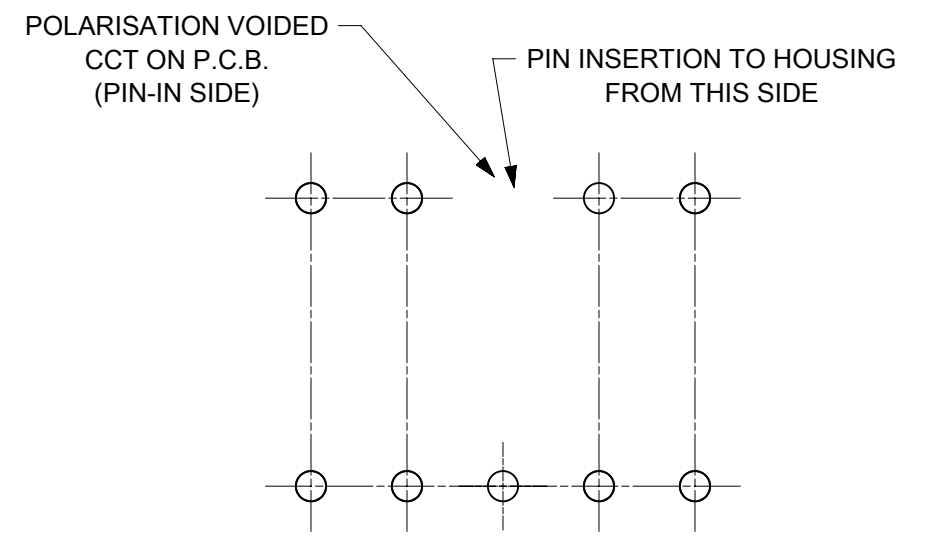
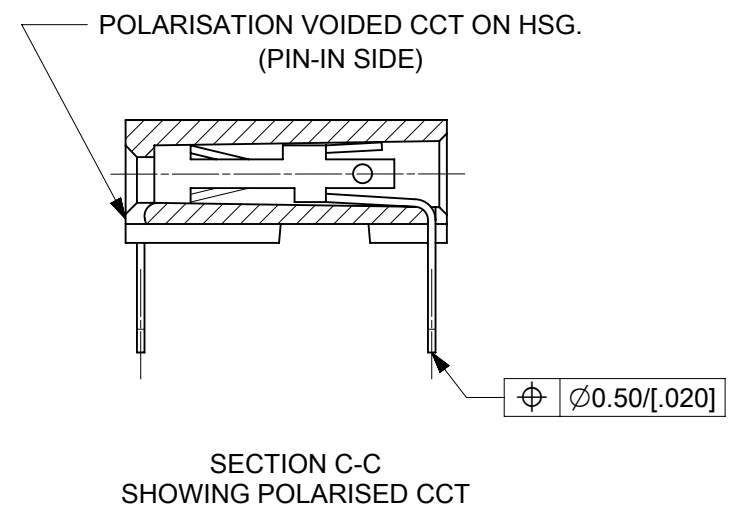
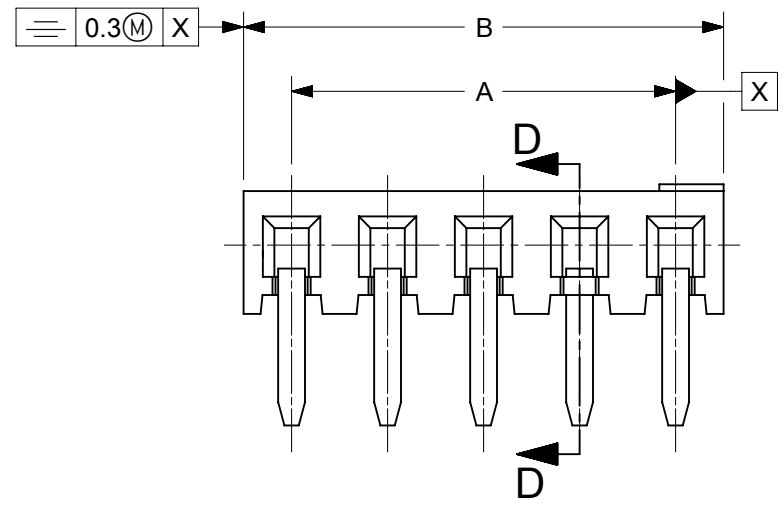


THIS DRAWING CONTAINS INFORMATION THAT IS PROPRIETARY TO MOLEX ELECTRONIC TECHNOLOGIES, LLC AND SHOULD NOT BE USED WITHOUT WRITTEN PERMISSION										
DIMENSION UNITS	SCALE	CURRENT REV DESC: MIGRATED TO NX								
mm	NTS	 C-GRID III SINGLE ROW HORIZONTAL P.C BOARD CONN. PRODUCT CUSTOMER DRAWING								
GENERAL TOLERANCES (UNLESS SPECIFIED)										
ANGULAR TOL	± 2.0°									
4 PLACES	±									
3 PLACES	±									
2 PLACES	± 0.15	EC NO: 613447	DRWN: ABABU01		2019/03/04		CHK'D: NMANE02		2019/03/11	
1 PLACE	±	APPR: MRAMAKRISHNA		2019/03/11		INITIAL REVISION:		DOCUMENT NUMBER		
0 PLACES	±	DRWN: RFC_PLMIMP		2018/10/05		SDA-90148		PSD	001	AK1
DRAFT WHERE APPLICABLE MUST REMAIN WITHIN DIMENSIONS		THIRD ANGLE PROJECTION	DRAWING	SERIES	MATERIAL NUMBER	CUSTOMER	SHEET NUMBER			
			B-SIZE	90148	SEE TABLE	GENERAL MARKET	2 OF 3			

PART NO.	POLARISED CCT NO.	NO. OF CKTS.	A	B <sup>+0</sup> / <sub>-0.30</sub> [B <sup>+0</sup> / <sub>-0.12</sub> ]	NO. PER TUBE
90148-3X01	2	3	5.08/[.200]	7.62/[.300]	72

**NON-STANDARD PRODUCTS**

90148 -XXYY  
 OPTION NUMBER  
 (NOT RELATING TO CCT SIZE OR OTHERWISE)  
 PLATING CODE (SEE SHEET 2)  
 3 = STRAIGHT PINS POLYESTER, POLARISED



**NOTES:**  
 1. SEE SHEET 1 FOR ALL UNSPECIFIED DIMENSIONS AND NOTES.  
 2. PARTS NOT STACKABLE.

THIS DRAWING CONTAINS INFORMATION THAT IS PROPRIETARY TO MOLEX ELECTRONIC TECHNOLOGIES, LLC AND SHOULD NOT BE USED WITHOUT WRITTEN PERMISSION

DIMENSION UNITS <b>mm</b>	SCALE <b>NTS</b>	CURRENT REV DESC: MIGRATED TO NX		<b>molex</b>		
GENERAL TOLERANCES (UNLESS SPECIFIED)		EC NO: 613447				
ANGULAR TOL ± 2.0°	4 PLACES ±	DRWN: ABABU01	2019/03/04	PRODUCT CUSTOMER DRAWING		
3 PLACES ±	2 PLACES ± 0.15	CHK'D: NMANE02	2019/03/11	DOCUMENT NUMBER		
1 PLACE ±	1 PLACE ±	APPR: MRAMAKRISHNA	2019/03/11	SDA-90148		
0 PLACES ±	0 PLACES ±	INITIAL REVISION:		DOC TYPE	DOC PART	REVISION
DRAFT WHERE APPLICABLE MUST REMAIN WITHIN DIMENSIONS		DRWN: RFC_PLMIMP	2018/10/05	PSD	001	AK1
THIRD ANGLE PROJECTION		APPR: MWILHITE	2002/03/19	CUSTOMER		SHEET NUMBER
B-SIZE		SERIES	90148	SEE TABLE	GENERAL MARKET	3 OF 3

PART NO's - STRAIGHT PINS		PART NO.	NO OF CKTS.	DIM. A	DIM. B $(\pm \frac{0.30}{.32})$	NO. PER TUBE
STANDARD	CUSTOMER SPECIFIC					
90148-1X02		90148-4X02	2	( 2.54 ) .100	( 5.08 ) .200	105
↑ 03	↑	↑ 03	3	( 5.08 ) .200	( 7.62 ) .300	72
04	↓	04	4	( 7.62 ) .300	(10.16) .400	52
05		05	5	(10.16) .400	(12.70) .500	44
06	90148-9X06	06	6	(12.70) .500	(15.24) .600	36
07		07	7	(15.24) .600	(17.78) .700	30
08	↑	08	8	(17.78) .700	(20.32) .800	26
09		09	9	(20.32) .800	(22.86) .900	24
10		10	10	(22.86) .900	(25.40) 1.000	22
11		11	11	(25.40) 1.000	(27.94) 1.100	18
12		12	12	(27.94) 1.100	(30.48) 1.200	18
13		13	13			16
14		14	14	(33.02) 1.300	(35.56) 1.400	14
15		15	15	(35.56) 1.400	(38.10) 1.500	14
16		16	16			13
17		17	17			12
18		18	18	(43.18) 1.700	(45.72) 1.800	12
19		19	19	(45.72) 1.800	(48.26) 1.900	12
20		20	20	(48.26) 1.900	(50.80) 2.000	11
21		21	21			10
22		22	22			10
23		23	23			10
24		24	24			9
25		25	25	(60.96) 2.400	(63.50) 2.500	8
26		26	26	(63.50) 2.500	(66.04) 2.600	8
27		27	27			8
28		28	28			7
29		29	29			7
30		30	30	(73.66) 2.900	(76.20) 3.000	7
↓ 31	↓	↓ 31	31			7
90148-1X32		90148-4X32	32	(78.74) 3.100	(81.28) 3.200	6

PLATING VERSION A

PRE-PLATED HOT DIP TIN  
1.0 TO 2.5 microns (.00004" TO .00010").

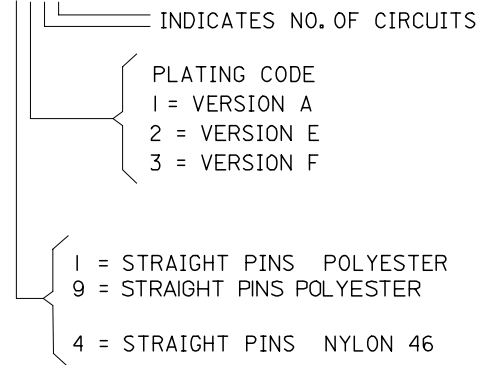
PLATING VERSION E

1.27 TO 1.78 microns (.00005" TO .00007") NICKEL  
OVERALL, 0.38 TO 0.64 microns (.000015" TO .000025")  
GOLD ON CONTACT AREA (OVER NICKEL).  
3 TO 5 microns (.00012" TO .00020") TIN  
ON SOLDER TAILS (OVER NICKEL).

PLATING VERSION F.

1.27 TO 1.78 microns (.00005" TO .00007") NICKEL  
OVERALL, 0.76 TO 1.0 microns (.00003" TO .00004")  
GOLD ON CONTACT AREA (OVER NICKEL).  
3 TO 5 microns (.00012" TO .00020") TIN  
ON SOLDER TAILS (OVER NICKEL).

90148-XXXX



ADD NEW P/N EC NO: E2007-0823 DRWN:DBYRNES CHKD: APPR:EDMAMONY 2007/03/29 2007/03/29 2007/04/04	QUALITY SYMBOLS ▽=0 ▽=0	GENERAL TOLERANCES (UNLESS SPECIFIED)		DIMENSION STYLE MM ONLY		SCALE ---	DESIGN UNITS METRIC	THIRD ANGLE PROJECTION			
				mm	INCH	DRAWN BY DB	DATE 1987/07/14	TITLE C-GRID III SINGLE ROW HORIZONTAL P.C. BOARD CONNECTOR			
				4 PLACES ±---	±---	CHECKED BY D.MORIARTY	DATE	MOLEX MOLEX INCORPORATED			
				3 PLACES ±---	±---	APPROVED BY J.DENNEHY	DATE	DOCUMENT NO. SDA-90148		SHEET NO. 2 OF 3	
AJ	REV	DRAFT WHERE APPLICABLE MUST REMAIN WITHIN DIMENSIONS		SEE CHART							