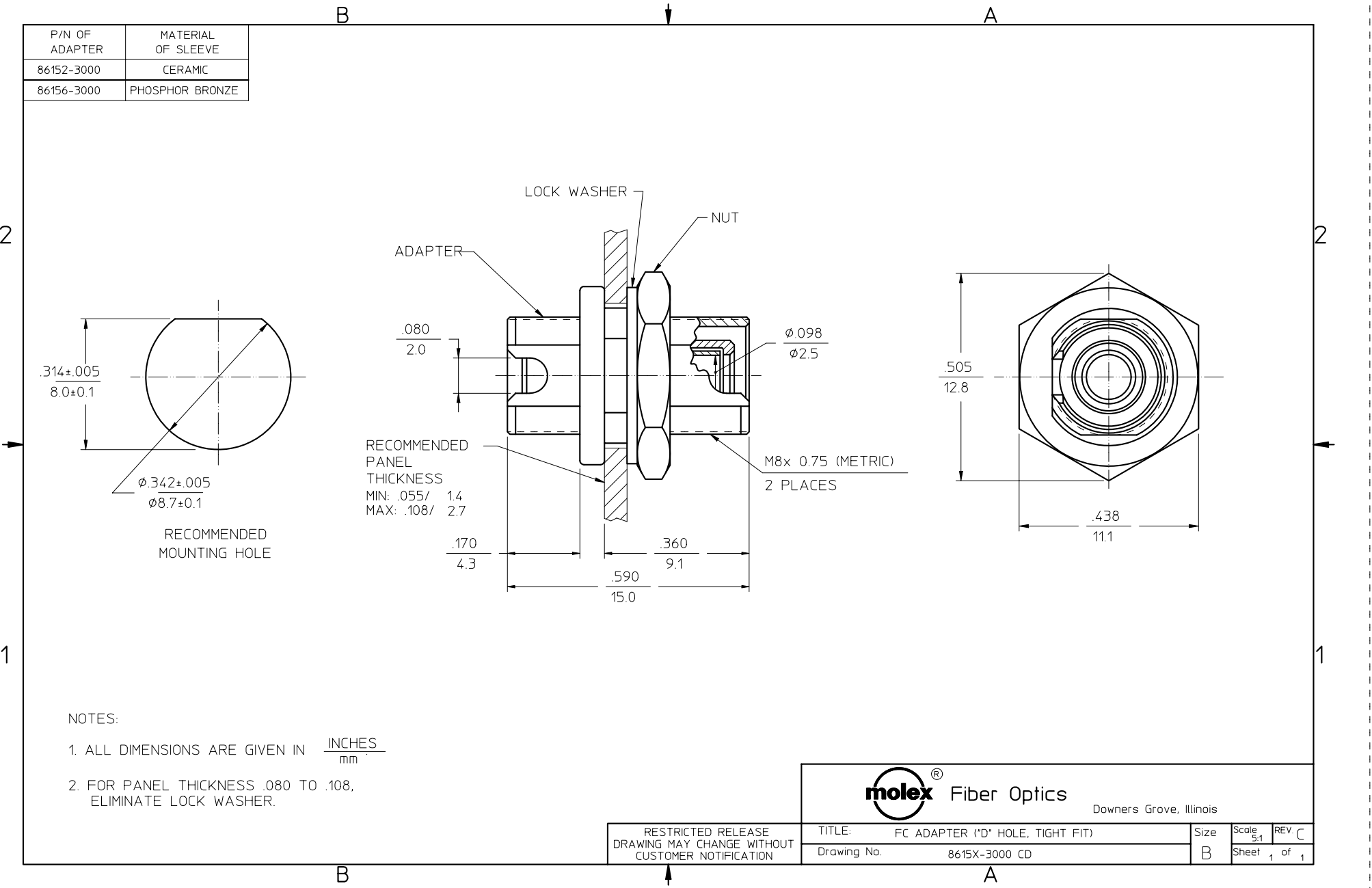



P/N OF ADAPTER	MATERIAL OF SLEEVE
86152-3000	CERAMIC
86156-3000	PHOSPHOR BRONZE



NOTES:

1. ALL DIMENSIONS ARE GIVEN IN $\frac{\text{INCHES}}{\text{mm}}$
2. FOR PANEL THICKNESS .080 TO .108, ELIMINATE LOCK WASHER.

RESTRICTED RELEASE
DRAWING MAY CHANGE WITHOUT
CUSTOMER NOTIFICATION

 Fiber Optics Downers Grove, Illinois		Size	Scale	REV. C
Drawing No.		B	5:1	1 of 1
8615X-3000 CD				