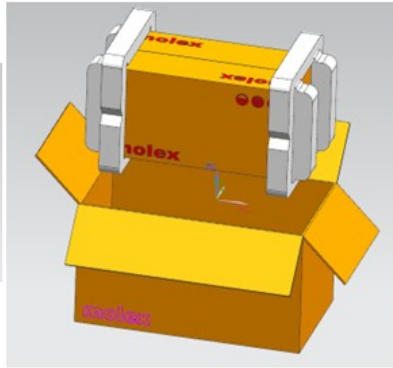
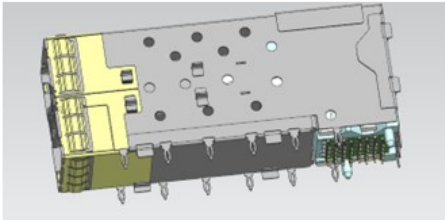


Date Issued :	September 26, 2022	PCN Number :	512623
Reason for Change :	Packaging Method/Quantity Changing		
Description of Change :	This notification is to inform you about Molex will remove inner box and PE Endcap foam.it is only package improvement, SPQ&MOQ are same ,no any change to product dimension, function and fit.		
Assessment of Change :	Drop Test		
Planned Implementation Date :	March 30, 2023		
Sample Availability Date:	December 20, 2022		
Internal Molex Qualification Date :	December 26, 2022		
Last date to request Samples by Customer :	December 30, 2022		

Before Picture

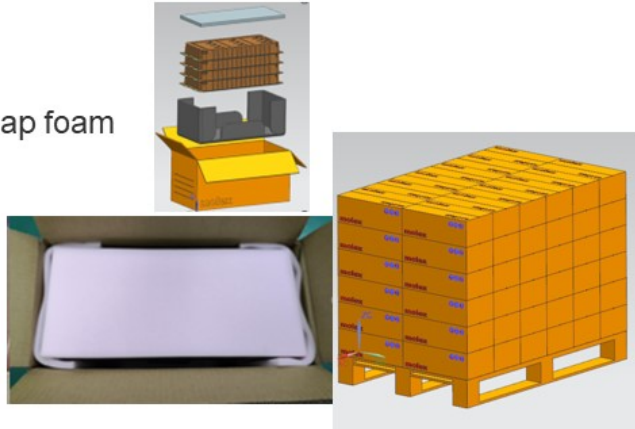
■ SSFP 2X1 Connectors



After Picture

Overview

- We will remove inner box and PE Endcap foam
- Product Impact
 - No impact to form, fit, or function
- Part Number Impact
 - See attached impacted parts list
- Qualification Reports available upon request after the date shown above



RELEASED

You may address inquiries regarding this PCN by clicking on the below link
mailto:pcn_coordinator@molex.com?subject=PCN_Notification:512623
or contact your Local Sales Engineer.

Note: While responding, please retain " PCN Notification : **PCN Notification: 512623** " in the e-mail Subject line for faster response.

Molex, LLC
2222 Wellington Court
Lisle, IL 60532
TEL (800) 786-6539
www.molex.com

PCN No Part List

512623 [0754625001](#)

512623 [0756405001](#)

512623 [0756405002](#)

512623 [0756405003](#)

512623 [0756405005](#)

512623 [0760445001](#)

512623 [0760445002](#)

512623 [0760445003](#)

512623 [0760449003](#)

512623 [0760645001](#)

512623 [0760905001](#)

512623 [0760905002](#)

512623 [0760906002](#)