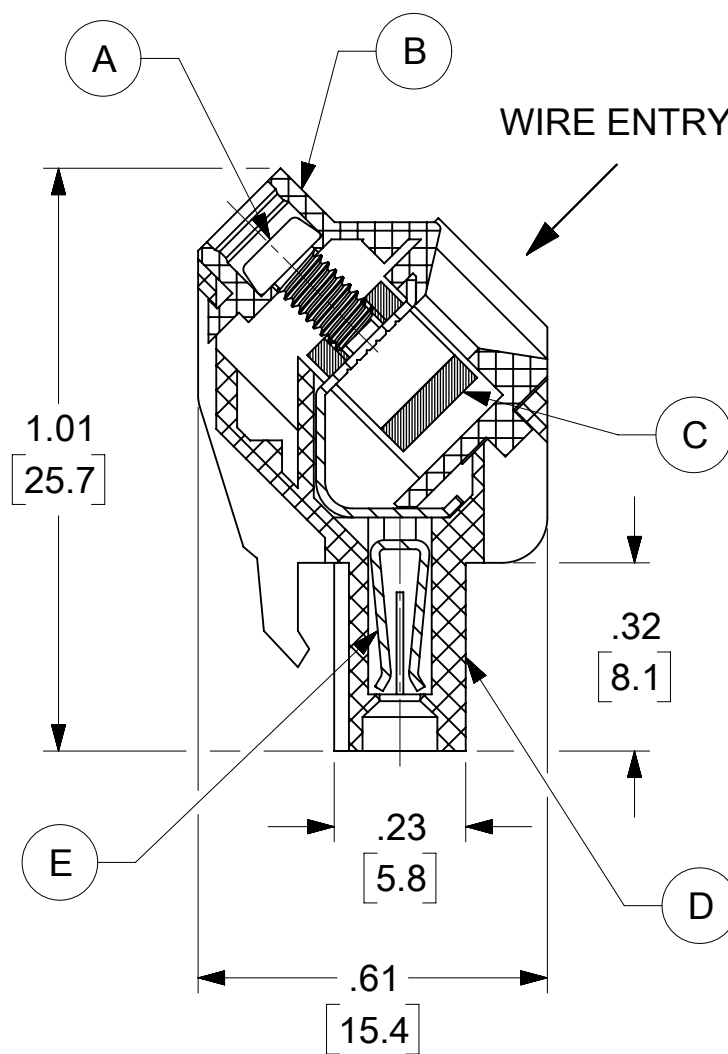
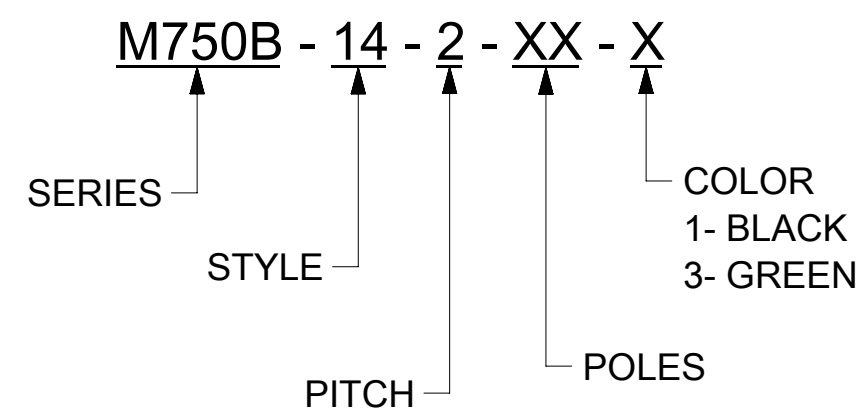


molex
M750B
UL94 V-0
LOGO LOCATED AND ORIENTATED TO FIT



ENGINEERING NUMBER LEGEND



CONTACT FACTORY FOR OPTIONAL COLORS

SPECIFICATIONS:

- MATERIAL:**
 - A. SCREW: M2.5 STEEL, ZINC PLATED
 - B. BODY : PA66, UL94 V-0
 - C. BLOCK: BRASS, NI PLATED
 - D. COVER: PA66, UL94 V-0
 - E. CONTACT : COPPER ALLOY
 - F. MTG. SCREW: M2.5 STEEL, ZINC PLATED
- WIRE SIZE:** 30 TO 12AWG
- ELECTRICAL RATING :** 300V, 18A
- MAX TORQUE :** 5.0LBF. IN
- WIRE STRIP LENGTH:** .24 IN. (6.00mm)
- OPERATING TEMPERATURE:** -40°C TO +115°C

TOLERANCES			
MM	TOL	INCH	TOL
0-6	±0.25	0-.24	±.010
>6-30	±0.40	>.24-1.18	±.016
>30-120	±0.50	>1.18-4.76	±.020
>120	±0.80	>4.76	±.031

FUNCTIONAL SYMBOLS FA=0 FC=0 FP=0	THIS DRAWING CONTAINS INFORMATION THAT IS PROPRIETARY TO MOLEX ELECTRONIC TECHNOLOGIES, LLC AND SHOULD NOT BE USED WITHOUT WRITTEN PERMISSION		
	DIMENSION UNITS INCH/MM	SCALE 3:1	CURRENT REV DESC: ADDED PART NUMBER 397141008
	GENERAL TOLERANCES (UNLESS SPECIFIED)		
	4 PLACES ± --- ± ---	MM	INCH
DIVISIONAL SYMBOLS	3 PLACES ± --- ± SEE CHART	EC NO: 735886	2023/01/19
	2 PLACES ± SEE CHART ± SEE CHART	DRWN: ABENJAMINLW	2023/03/10
	1 PLACE ± CHART ± ---	CHK'D: DACHAMMER	2023/03/24
	0 PLACES ± --- ± ---	APPR: JFMURPHY	
	ANGULAR TOL ± ---	INITIAL REVISION:	
	DRAFT WHERE APPLICABLE MUST REMAIN WITHIN DIMENSIONS	DRWN: RSTONE	2014/04/11
	THIRD ANGLE PROJECTION	APPR: JFMURPHY	2014/10/16
	DRAWING	SERIES	DOCUMENT NUMBER
	C-SIZE	39714	SD-39714-001
		MATERIAL NUMBER	CUSTOMER
		SEE SHEET-2	GENERAL MARKET
		DOC TYPE	DOC PART
		PSD	001
		REVISION	A3
		SHEET NUMBER	1 OF 2

molex

TERMINAL PLUG 5.08MM
45 DEGREE WIRE ENTRY WITH MOUNTING ENDS

PRODUCT CUSTOMER DRAWING

PART NUMBER DATA									
CIRCUITS	PART NUMBER	ENGINEERING NUMBER	COLOR	DIM. "A"		DIM. "B"		DIM. "C"	
				IN	mm	IN	mm	IN	mm
2	397140002	M750B-14-2-02-3	GREEN	.80	20.3	.200	5.08	.600	15.24
3	397140003	M750B-14-2-03-3	GREEN	1.00	25.4	.400	10.16	.800	20.32
4	397140004	M750B-14-2-04-3	GREEN	1.20	30.5	.600	15.24	1.000	25.40
5	397140005	M750B-14-2-05-3	GREEN	1.40	35.6	.800	20.32	1.200	30.48
6	397140006	M750B-14-2-06-3	GREEN	1.60	40.6	1.000	25.40	1.400	35.56
7	397140007	M750B-14-2-07-3	GREEN	1.80	45.7	1.200	30.48	1.600	40.64
8	397140008	M750B-14-2-08-3	GREEN	2.00	50.8	1.400	35.56	1.800	45.72
8	397141008	M750B-14-2-08-1	BLACK	2.00	50.8	1.400	35.56	1.800	45.72
9	397140009	M750B-14-2-09-3	GREEN	2.20	55.9	1.600	40.64	2.000	50.80
10	397140010	M750B-14-2-10-3	GREEN	2.40	61.0	1.800	45.72	2.200	55.88
11	397140011	M750B-14-2-11-3	GREEN	2.60	66.0	2.000	50.80	2.400	60.96
12	397140012	M750B-14-2-12-3	GREEN	2.80	71.1	2.200	55.88	2.600	66.04
13		M750B-14-2-13-3	GREEN	3.00	76.2	2.400	60.96	2.800	71.12
14		M750B-14-2-14-3	GREEN	3.20	81.3	2.600	66.04	3.000	76.20
15		M750B-14-2-15-3	GREEN	3.40	86.4	2.800	71.12	3.200	81.28
16		M750B-14-2-16-3	GREEN	3.60	91.4	3.000	76.20	3.400	86.36
17	397140017	M750B-14-2-17-3	GREEN	3.80	96.5	3.200	81.28	3.600	91.44
18	397140018	M750B-14-2-18-3	GREEN	4.00	101.6	3.400	86.36	3.800	96.52
19		M750B-14-2-19-3	GREEN	4.20	106.7	3.600	91.44	4.000	101.60
20		M750B-14-2-20-3	GREEN	4.40	111.8	3.800	96.52	4.200	106.68

A3

REF. LAST 2 DIGITS OF PART NUMBER EQUALS CIRCUIT COUNT

TOLERANCES			
MM	TOL	INCH	TOL
0-6	±0.25	0-.24	±.010
>6-30	±0.40	>.24-1.18	±.016
>30-120	±0.50	>1.18-4.76	±.020
>120	±0.80	>4.76	±.031

FUNCTIONAL SYMBOLS FA = 0 FC = 0 FP = 0	THIS DRAWING CONTAINS INFORMATION THAT IS PROPRIETARY TO MOLEX ELECTRONIC TECHNOLOGIES, LLC AND SHOULD NOT BE USED WITHOUT WRITTEN PERMISSION		
	DIMENSION UNITS INCH/MM	SCALE 1:1	CURRENT REV DESC: ADDED PART NUMBER 397141008
DIVISIONAL SYMBOLS	GENERAL TOLERANCES (UNLESS SPECIFIED)		EC NO: 735886 DRWN: ABENJAMINLW 2023/01/19 CHK'D: DACHAMMER 2023/03/10 APPR: JFMURPHY 2023/03/24
	4 PLACES ± --- ± ---	MM INCH	
	3 PLACES ± --- ± SEE CHART		INITIAL REVISION: DRWN: RSTONE 2014/04/11 APPR: JFMURPHY 2014/10/16
	2 PLACES ± SEE CHART ± SEE CHART		DOCUMENT NUMBER SD-39714-001
	1 PLACE ± CHART ± ---		DOC TYPE DOC PART REVISION PSD 001 A3
	0 PLACES ± --- ± ---		MATERIAL NUMBER CUSTOMER SHEET NUMBER SEE CHART GENERAL MARKET 2 OF 2
	ANGULAR TOL ± ---	THIRD ANGLE PROJECTION	DRAWING SERIES C-SIZE 39714
	DRAFT WHERE APPLICABLE MUST REMAIN WITHIN DIMENSIONS		

molex

TERMINAL PLUG 5.08MM
45 DEGREE WIRE ENTRY WITH MOUNTING ENDS

PRODUCT CUSTOMER DRAWING