

6

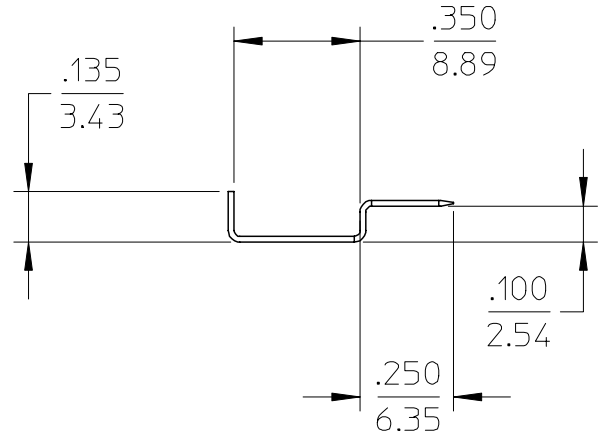
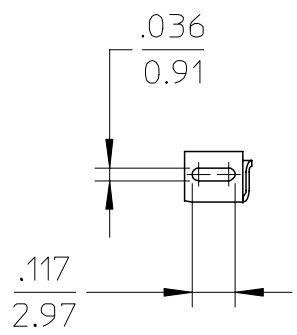
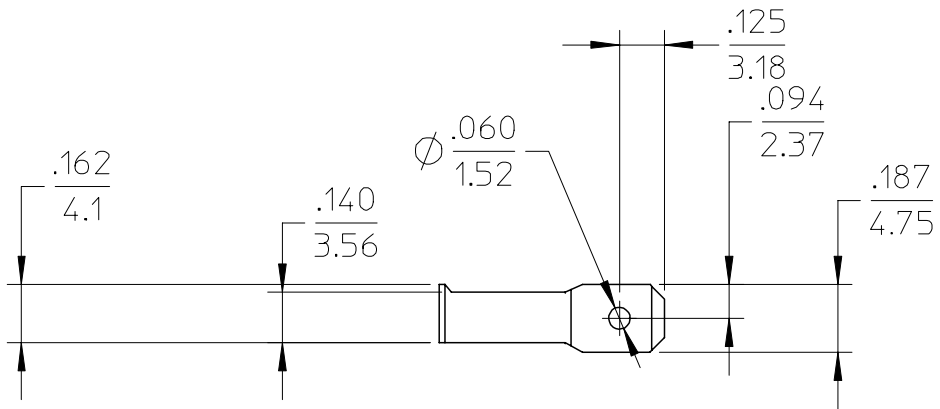
5

4

3

2

1



SALES DRAWING

MATERIAL:
CDA 26000 BRASS
THICKNESS: .016

RELEASE FOR PROD
EC NO: ETC2006-0039
DRWN: JLOMASTRO 2005/09/13
CHKD: RDEROSS 2005/09/13
APPR: JPAWLICK 2005/09/14

QUALITY SYMBOLS	DESCRIPTION
= 0	
= 0	

GENERAL TOLERANCES (UNLESS SPECIFIED)		
	mm	INCH
4 PLACES	± .005	± .0005
3 PLACES	± .003	± .0003
2 PLACES	± 0.13	± .01
1 PLACE	± 0.25	± .01
ANGULAR ± 1/2°		
DRAFT WHERE APPLICABLE MUST REMAIN WITHIN DIMENSIONS		

DIMENSION STYLE		SCALE	DESIGN UNITS	THIRD ANGLE PROJECTION
IN/MM		2:1	INCH	
DRAWN BY	DATE	TITLE BLADE MINI FUSE CONNECTOR		
JLOMASTRO	05/09/08			
CHECKED BY	DATE			
RDEROSS	05/09/08	MATERIAL NO. 190430007		
APPROVED BY	DATE			
RDEROSS	05/09/08	DOCUMENT NO. SD-19043-004		
SHEET NO. 1 OF 1				

MATERIAL NO. 190430007		DOCUMENT NO. SD-19043-004		SHEET NO. 1 OF 1	
THIS DRAWING CONTAINS INFORMATION THAT IS PROPRIETARY TO MOLEX INCORPORATED AND SHOULD NOT BE USED WITHOUT WRITTEN PERMISSION					

5

4

3

2

1