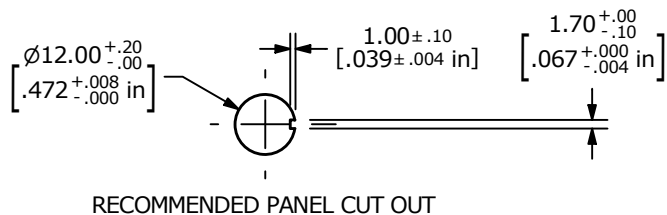
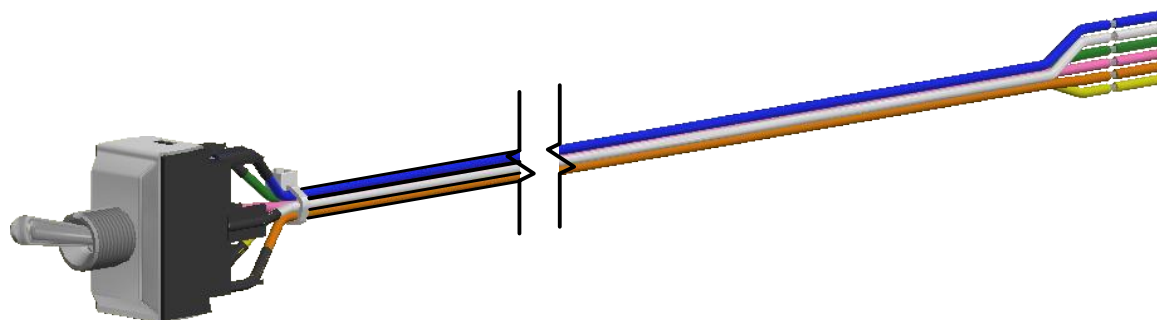
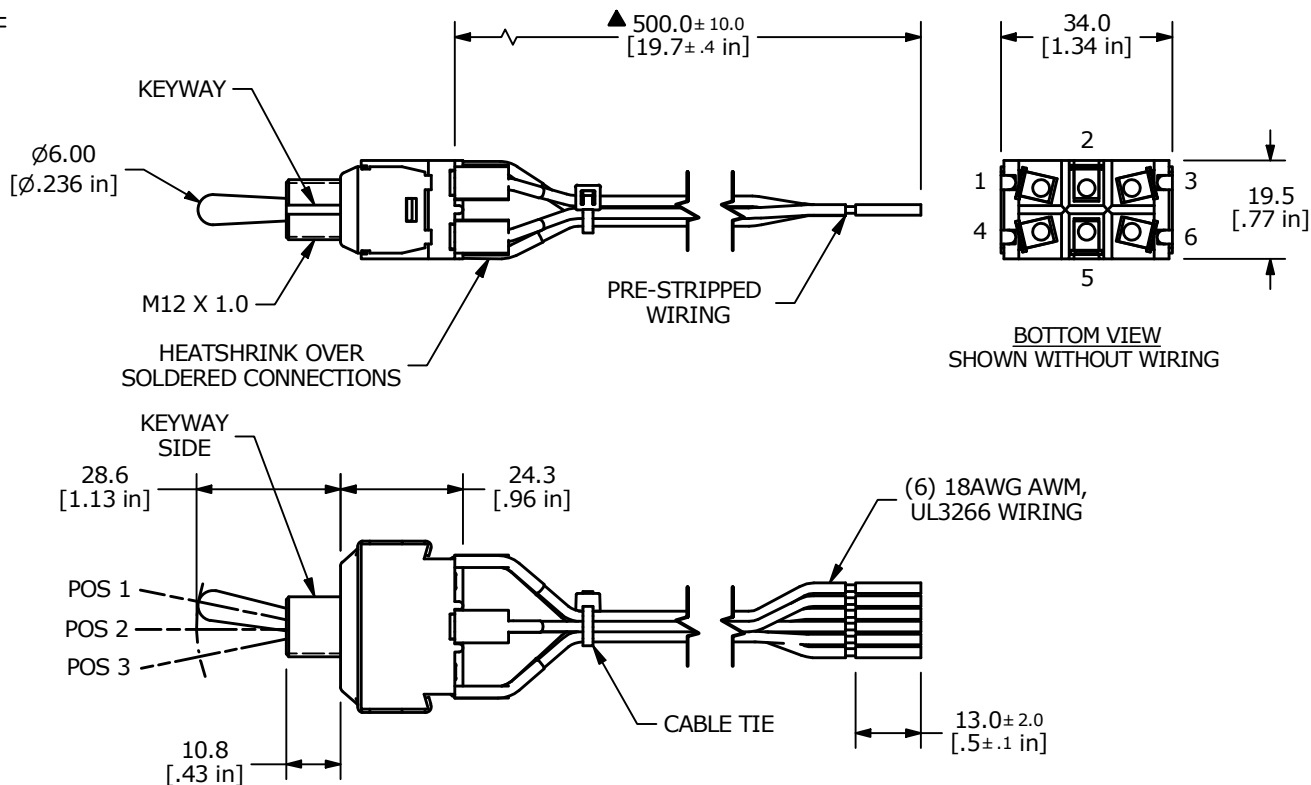


SWITCH	WIRE
SW1-1	WIRE, 18AWG AWM UL3266, GREEN
SW1-2	WIRE, 18AWG AWM UL3266, PINK
SW1-3	WIRE, 18AWG AWM UL3266, YELLOW
SW1-4	WIRE, 18AWG AWM UL3266, BLUE
SW1-5	WIRE, 18AWG AWM UL3266, WHITE
SW1-6	WIRE, 18AWG AWM UL3266, ORANGE



▲ SWITCH FUNCTION		
POS. 1	POS. 2	POS. 3
ON	OFF	ON
2-3, 5-6	OPEN	1-2, 4-5

- NOTES:
- ALL DIMENSIONS IN MM
 - GENERAL TOLERANCE: X.X = ±0.5
X.XX = ±0.25
 - TERM. NOS. FOR REFERENCE ONLY
 - ELECTRICAL LIFE: 6,000 CYCLES
 - OPERATING TEMP: 0°C to 85°C
 - CONTACT RESISTANCE: 50mΩ MAX. INITIAL
 - INSULATION RESISTANCE: 2MΩ AT 500VDC
 - DIELECTRIC STRENGTH: 1000VAC FOR 1 MINUTE
 - ▲ DENOTES CRITICAL PARAMETER
 - CONTACT RATING: 20A 125VAC,
15A 277VAC
2HP 125/277VAC
 - ▲ 11. SUPPLIED HARDWARE: 2 HEXNUTS



A	24527	NEW RELEASE	10/23/20	MJR
REV	PCR NO	DESCRIPTION	DATE	BY

TITLE ST2W6D00				
SCALE 2:3	DATE 10/7/2020	DR MJR	DWG 34-ST2W6D00	REV A

THE INFORMATION CONTAINED IN THIS DOCUMENT IS PROPRIETARY TO E-SWITCH AND IS NOT TO BE COPIED OR TRANSFERRED