

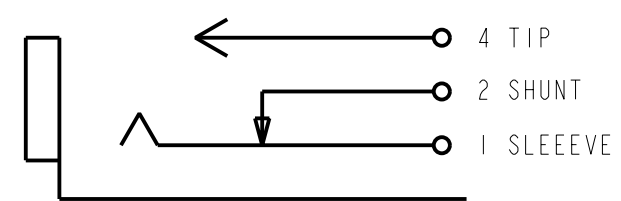
NOTES:

1. THIS PRODUCT IS RoHS COMPLIANT
2. ALL DIMENSIONS ARE REFERENCE.
3. MATERIALS:

HOUSING: THERMOPLASTIC, BLACK
 SPRING CONTACT: COPPER ALLOY, SILVER PLATED
 SHUNT TERMINAL: COPPER ALLOY, SILVER PLATED
 CENTER PIN: COPPER ALLOY, SILVER PLATED

CUSTOMER DRAWING

PC BOARD LAYOUT
COMPONENT SIDE



SCHMATIC

REV	ECO NUMBER	DATE	BY	APVD
A	25129	9-8-05	JL	MW
REVISIONS				

★ STAR SYMBOL DENOTES CRITICAL DIMENSION

UNLESS OTHERWISE SPECIFIED

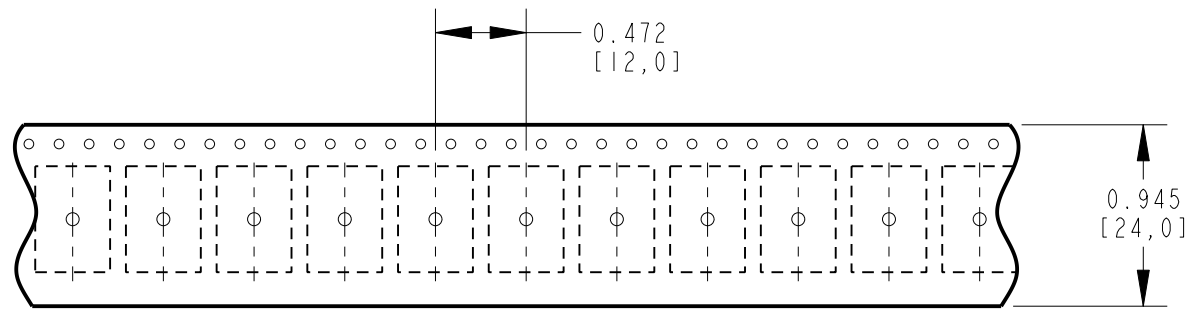
1. ALL DIMENSIONS IN INCHES
 - TWO PLACE DECIMALS ±0.01
 - THREE PLACE DECIMALS ±0.005
 - ANGLES ±1°
 - ALL DIA. CONCENTRIC WITHIN 0.005 T.I.R.
2. FEATURES ON THE SAME CENTERLINE MUST BE ALIGNED WITHIN ±0.002
3. REMOVE ALL BURRS

DO NOT SCALE DRAWING

THIS DRAWING DESCRIBES A DESIGN CONSIDERED PROPRIETARY IN NATURE, DEVELOPED AND MANUFACTURED BY SWITCHCRAFT INC. AND IS RELEASED ON A CONFIDENTIAL BASIS FOR IDENTIFICATION PURPOSES ONLY.				
SIZE	WIDTH	MULT	LBS/M	TEMPER
FINISH		MATERIAL		
SPEC No.		SPEC No.		
FIRST USED ON		SCALE		
		5 : 1		
DATE DRAWN	BY	CHKD	APVD	
08-Sep-05	JL	MW	MW	
		9-8-05	9-8-05	
NAME RIGHT ANGLE SMT DC JACK ∅0.65mm PIN, RoHS				PART No.
				RASM752TRX
				REV
				A

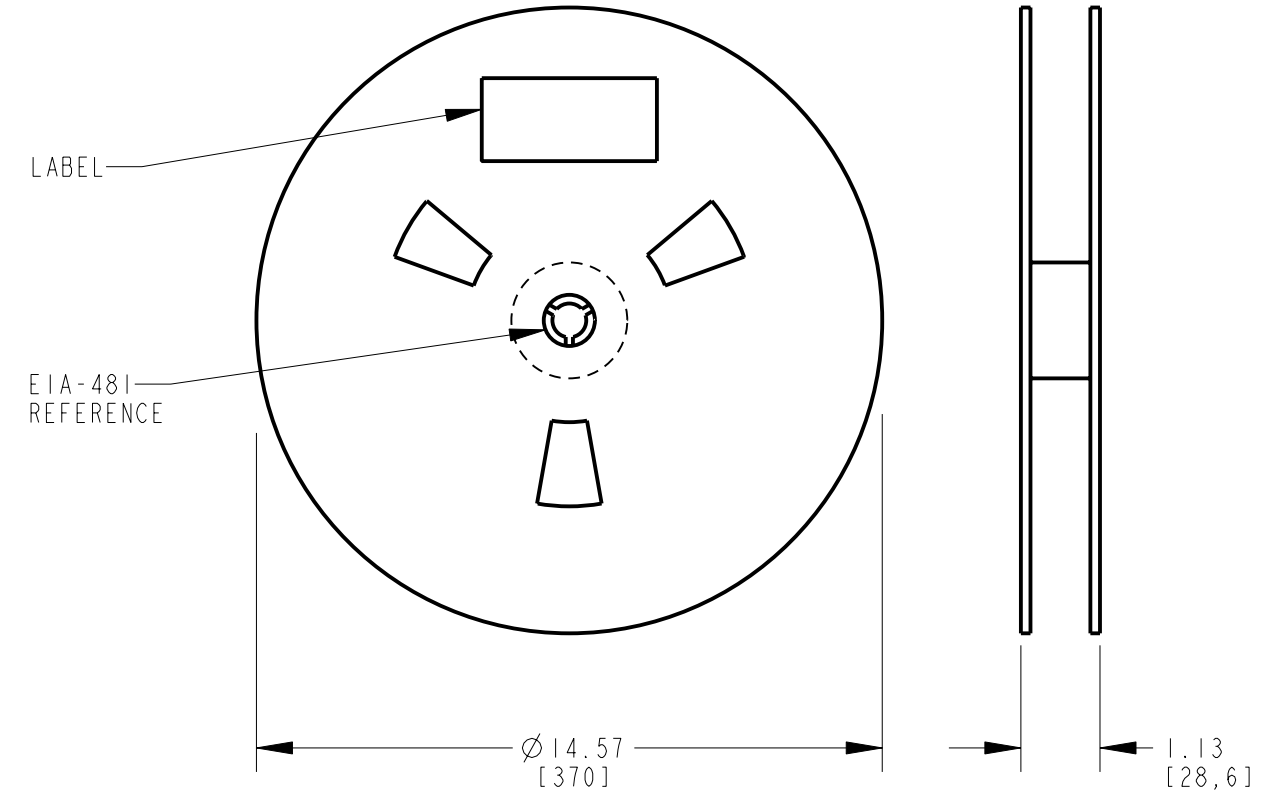
A: CARRIER SIZE

- 1. DETAIL SIZES REFERENCE: EIA-481
- 2. SPECIFICATION: 24 MM X 12 MM
- 3. COVER TAPE: SPECIFICATION ATTACHED (CONDUCTIVE)



B: REEL SIZE

- 1. QUANTITY: 1000 PCS/REEL
- 2. MATERIAL: THERMOPLASTIC



CUSTOMER DRAWING

SCALE	Switchcraft [®]		
DATE DRAWN			
08-Sep-05	SHEET 2 OF 2		
DRAWN BY	PART No.	REV	
JL	RASM752TRX	A	