

# OV2732 1080p product brief



## Low-Power 1080p High Definition PureCel® Sensor for Security Applications



available in  
a lead-free  
package

OmniVision's OV2732 is a compact and power-efficient PureCel® image sensor designed for IoT-based residential and commercial monitoring systems. The OV2732 captures quality images and videos with staggered high dynamic range (HDR), ensuring excellent scene reproduction in all lighting environments. The sensor features frame sync for use in multi-camera or 360-degree camera systems and supports ultra-low power mode (ULPM) and an ambient light sensor (ALS), making it particularly well-suited for battery-powered security applications.

Built on OmniVision's PureCel® technology, the 1/4-inch OV2732 captures 1080p high definition (HD) video at 60 frames per second (fps), 720p HD video at 90 fps, and VGA resolution video at 120 fps. The OV2732 delivers crisp images and video, even in challenging low-light conditions.

Find out more at [www.ovt.com](http://www.ovt.com).



## Applications

- Internet of Things (IoT)
- High-end Video Conferencing
- Security
- Lifestyle Camera
- Home Monitoring

## Product Features

- programmable controls:
  - gain
  - exposure
  - frame rate
  - image size
  - horizontal mirror
  - vertical flip
  - cropping
  - windowing
- automatic image control functions:
  - black level calibration (BLC)
- serial camera control bus (SCCB)
- defective pixel correction (DPC)
- digital video port (DVP) parallel output interface
- support for two lane MIPI interface (up to 800 Mbps)
- support for image sizes:
  - 1080p @ 60 fps
  - 720p @ 90 fps
  - VGA @ 120 fps
  - QVGA @ 240 fps, and more
- support for light sensing mode (LSM)
- support for staggered 2 frame HDR
- support for black sun cancellation
- on-chip phase lock loop (PLL)

# OV2732



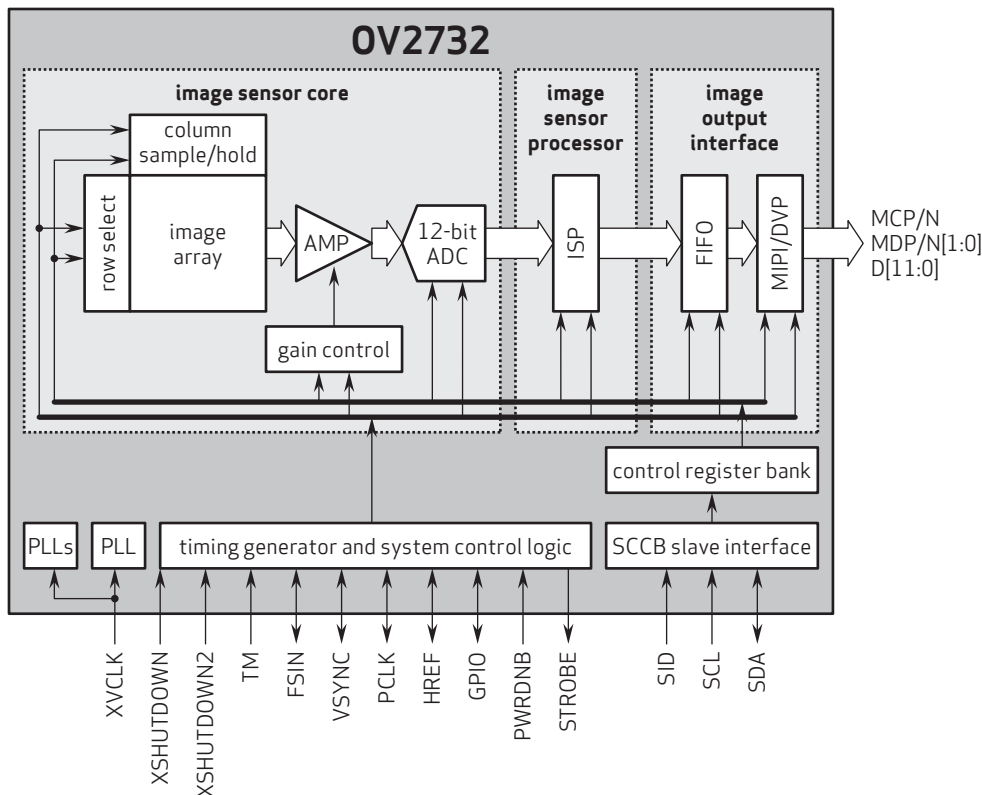
## Ordering Information

- OV02732-H57A  
(color, lead-free, 57-pin CSP4)

## Product Specifications

- active array size: 1920 x 1080
- power supply:
  - core: 1.2V
  - analog: 2.8V
  - I/O: 1.8V
- power requirements:
  - active: 110 mW
- temperature range:
  - operating: -40°C to +85°C junction temperature
  - stable image: 0°C to +60°C junction temperature
- output interfaces:
  - two-lane MIPI / DVP parallel
- output formats: 10/12-bit RAW RGB
- lens size: 1/4"
- lens chief ray angle: 12° linear
- input clock frequency: 6 - 27 MHz
- scan mode: progressive
- maximum image transfer rate:
  - 1080p: 60 fps
  - 720p: 90 fps
  - VGA: 120 fps
  - QVGA: 240 fps
- shutter: rolling shutter
- maximum exposure interval: 1184 x t<sub>row</sub>
- pixel size: 2 μm x 2 μm
- image area: 3868 μm x 2190 μm
- package dimensions: 5174 μm x 3680 μm

## Functional Block Diagram



4275 Burton Drive  
Santa Clara, CA 95054  
USA

Tel: + 1 408 567 3000  
Fax: + 1 408 567 3001  
www.ovt.com

OmniVision reserves the right to make changes to their products or to discontinue any product or service without further notice. OmniVision, the OmniVision logo and OmniPixel are registered trademarks of OmniVision Technologies, Inc. OmniBSI-2 is a trademark of OmniVision Technologies, Inc. All other trademarks are the property of their respective owners.



OmniVision