

Description

- Time delay, low breaking capacity
- Optional axial leads available
- 5mm x 20mm physical size
- Glass tube, nickel-plated brass endcap construction
- Designed to IEC 60127-2 (32mA-10A)



| S506 ELECTRICAL CHARACTERISTICS | | | | | | | | |
|---------------------------------|--------|--------|---------|--------|-------|-------|--------|--|
| In | 2.1 In | | 2.75 In | | 4 In | | 10 In | |
| | max | min | max | min | max | min | max | |
| 32mA-100mA | 2 min | 200 ms | 10 sec | 40 ms | 3 sec | 10 ms | 300 ms | |
| 125mA-6.3A | 2 min | 600 ms | 10 sec | 150 ms | 3 sec | 20 ms | 300 ms | |
| 8A-15A | 2 min | 600 ms | 10 sec | 150 ms | 3 sec | 20 ms | 300 ms | |

Agency Information

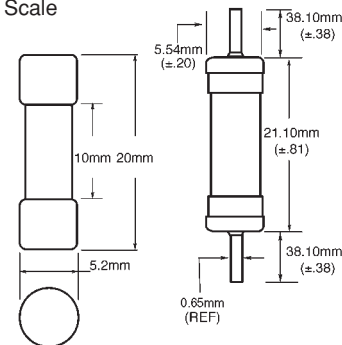
- UL Recognized Card: (32mA-15A) Guide JDYX2, File E19180
- CSA Component Acceptance: File 53787
- cURus Recognition: Guide JDYX8, File E19180
- SEMKO Approval, 32mA-10A
- VDE Approval, 32mA-10A
- BSI Approval, 32mA-10A
- IMQ Approval, 32mA-10A
- MITI Approval, 32mA-6.3A
- CCC Approval, 32mA-6.3A

Ordering

- Specify packaging, product, and option code
- For -R option, drop mA or A from product code (i.e. S506-2-R)

Dimensions

Drawing Not to Scale



- Ratings above 6.3A have a 0.8mm diameter lead
- With TR2 packaging code, lead wire length is 19.05mm

SPECIFICATIONS

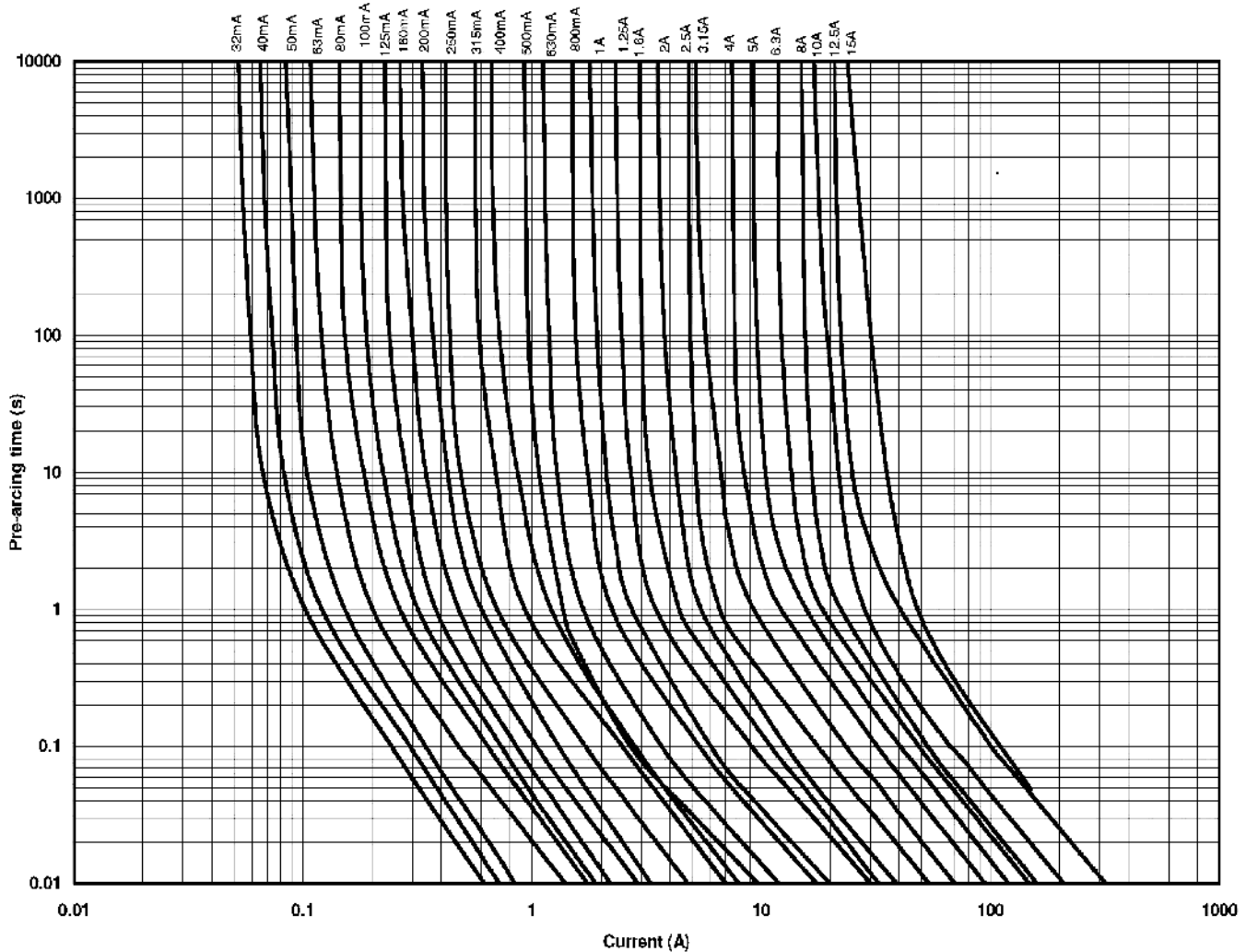
| Product Code | Voltage Rating AC | Interrupting Rating at Rated Voltage (50Hz) AC | Typical DC Cold Resistance (ohms)* | Minimum Pre-Arching I ² t (A ² Sec) AC† | Typical Voltage Drop (mV)‡ |
|--------------|-------------------|--|------------------------------------|---|----------------------------|
| S506-32mA | 250V | 35A | 21.0 | 0.0014 | 1050 |
| S506-40mA | 250V | 35A | 13.90 | 0.0034 | 920 |
| S506-50mA | 250V | 35A | 9.24 | 0.006 | 800 |
| S506-63mA | 250V | 35A | 6.96 | 0.012 | 760 |
| S506-80mA | 250V | 35A | 4.42 | 0.015 | 580 |
| S506-100mA | 250V | 35A | 2.74 | 0.022 | 490 |
| S506-125mA | 250V | 35A | 1.97 | 0.034 | 390 |
| S506-160mA | 250V | 35A | 1.27 | 0.052 | 320 |
| S506-200mA | 250V | 35A | 1.00 | 0.078 | 340 |
| S506-250mA | 250V | 35A | 0.640 | 0.17 | 270 |
| S506-315mA | 250V | 35A | 0.450 | 0.41 | 250 |
| S506-400mA | 250V | 35A | 0.308 | 0.61 | 210 |
| S506-500mA | 250V | 35A | 0.183 | 0.67 | 140 |
| S506-630mA | 250V | 35A | 0.186 | 1.0 | 150 |
| S506-800mA | 250V | 35A | 0.128 | 2.2 | 75 |
| S506-1A | 250V | 35A | 0.062 | 2.7 | 80 |
| S506-1.25A | 250V | 35A | 0.045 | 6.7 | 70 |
| S506-1.6A | 250V | 35A | 0.038 | 9.7 | 70 |
| S506-2A | 250V | 35A | 0.028 | 15 | 68 |
| S506-2.5A | 250V | 35A | 0.023 | 25 | 68 |
| S506-3.15A | 250V | 35A | 0.017 | 51 | 66 |
| S506-4A | 250V | 40A | 0.012 | 88 | 66 |
| S506-5A | 250V | 50A | 0.008 | 150 | 66 |
| S506-6.3A | 250V | 63A | 0.008 | 214 | 60 |
| S506-8A | 250V | 80A | 0.006 | 192 | 55 |
| S506-10A | 250V | 100A | 0.004 | 420 | 54 |
| S506-12.5A | 250V | 125A | 0.004 | 812 | 45 |
| S506-15A | 250V | 125A | 0.004 | 1029 | 73 |

* DC Cold Resistance (Measured at <10% of rated current)

† Minimum Pre-Arching I²t (Measured at 10 In and rated voltage)

‡ Typical Voltage Drop (Voltage drop was measured at 20°C ambient temperature at rated current)

TIME CURRENT CURVE



PACKAGING CODE

| Packaging Code | Description |
|----------------|---|
| BK | 100 pieces of fuses packed into a cardboard carton |
| BK1 | 1,000 pieces of fuses packed into a poly bag |
| TR2 | 1,500 pieces of fuses packed into tape on a reel (19.05mm lead wire length) |

OPTION CODE

| Option Code | Description |
|-------------|--|
| V | Axial leads - copper tinned wire with nickel plated brass overcaps |
| -R | RoHS compliant version |