



### Electrical specifications

**Operating bandwidth:** 1865~1960 MHz  
**Insertion loss:**  $\leq 1.0$  dB  
**Return loss:**  $\geq 18$  dB  
**Rejection:**  $> 21$  dB@DC~1835 MHz  
**Impedance:** 50 Ohms In/Out  
**Average power handling:**  $\leq 40$  Watts  
**Peak power handling:**  $\leq 1.4$  KW  
**IMD3@1770MHz:** 100 dBm@2x43 dBm  
**IMD3@1675MHz:** 110 dBm@2x43 dBm

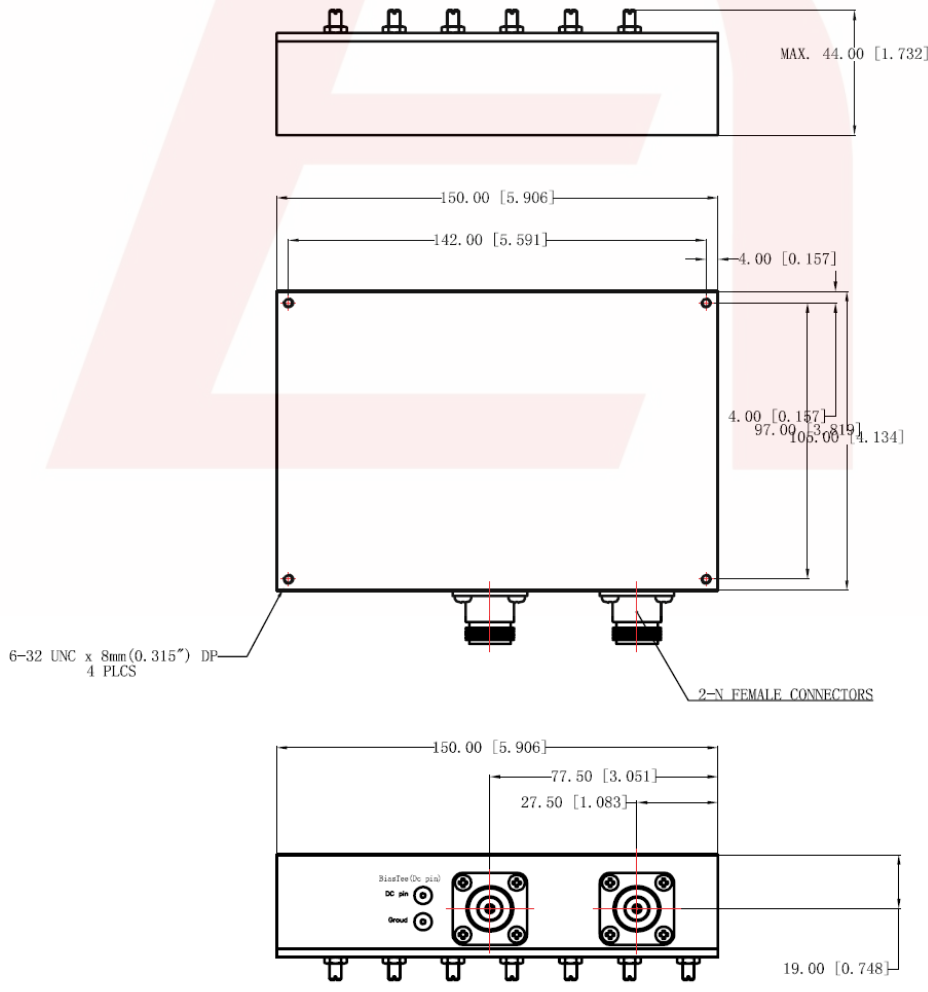
### Mechanical

**Mounting Method:** Threaded Mounting Holes  
**Connector Type:** N-Type Female  
**Dimensions:** 5.90" x 4.13" x 1.73" in

### Environmental

**Operating Temperature:** -45 to +85° C  
**Storage Temperature:** -55 to +95° C  
**Shock:** 20 G. 11ms  
**Vibration:** 20 G. 5 to 200 Hz

### Outline Drawing:



DS-B713-03152018-Rev0



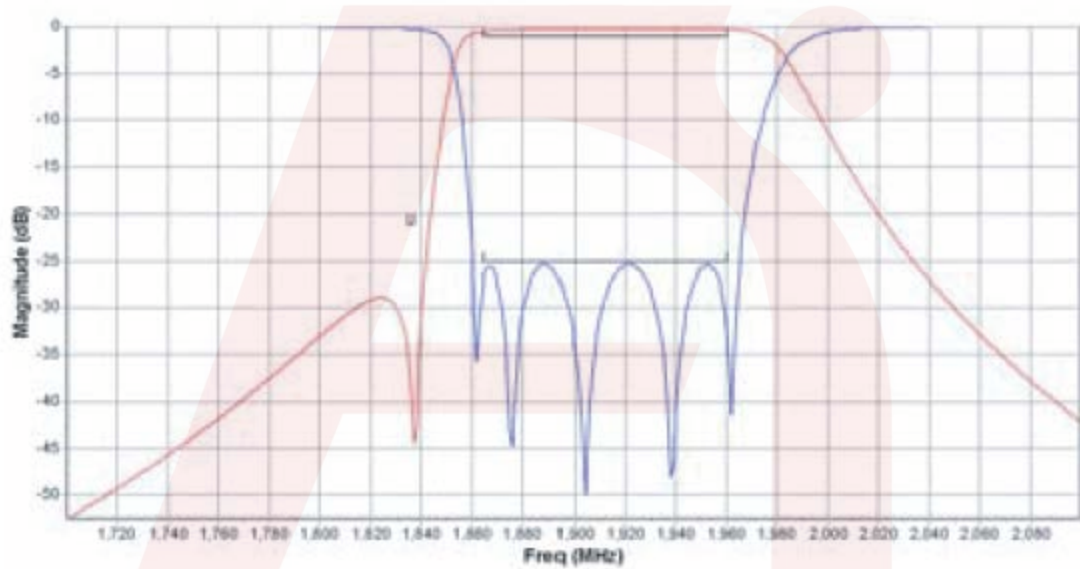
**ANATECH ELECTRONICS INC**  
RF & Microwave Filters & Products

# 1912 MHz Cavity Bandpass Filter

Part Number: AB1912B713



Plot:



DS-B713-03152018-Rev0