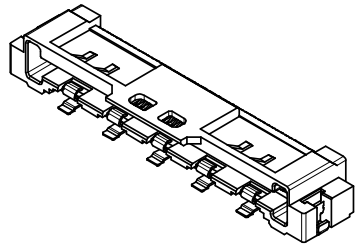
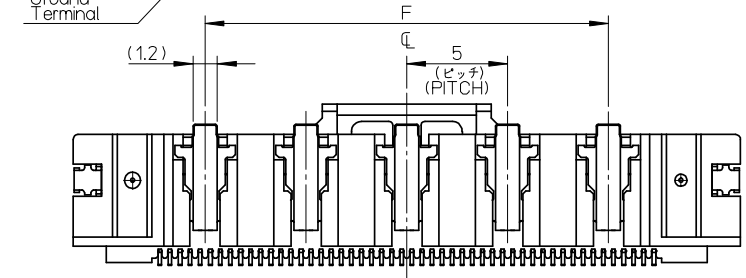
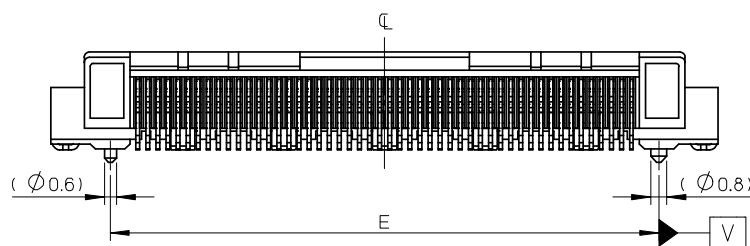
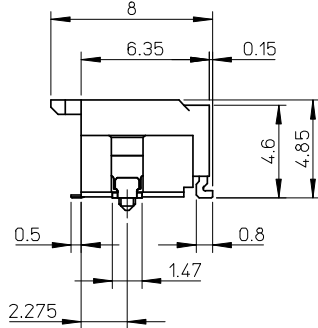
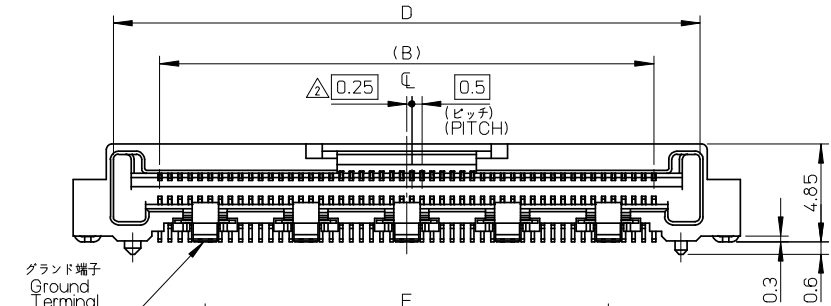
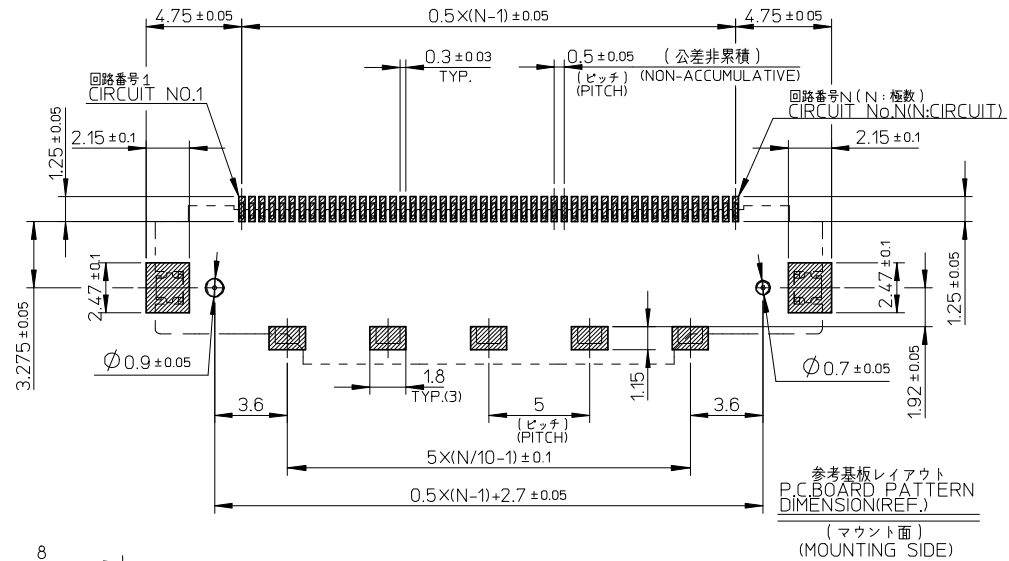
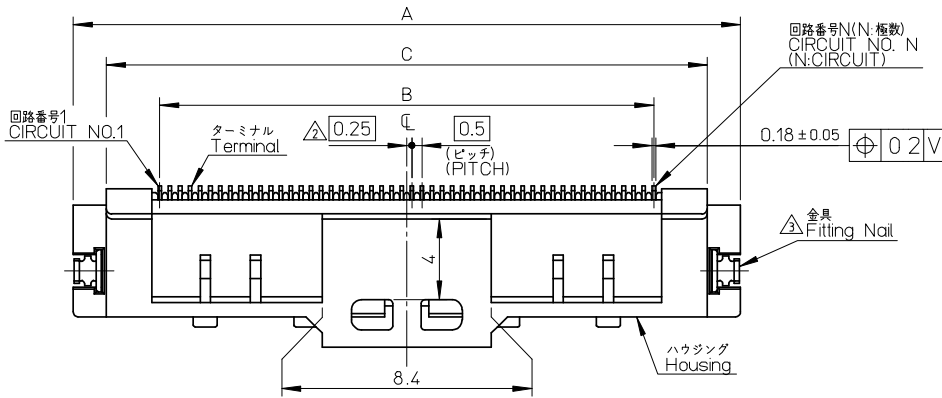


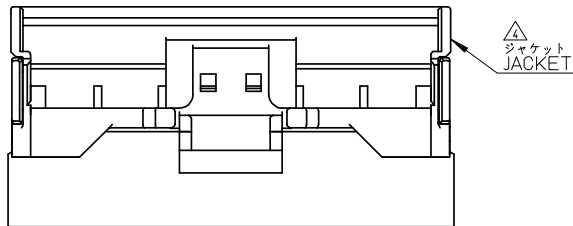
ELV AND RoHS COMPLIANT.



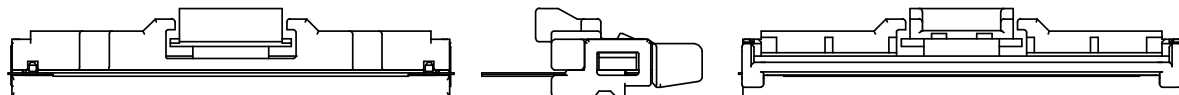
|                        |    |      |      |      |      |      |                  |             |    |   |   |   |               |              |    |
|------------------------|----|------|------|------|------|------|------------------|-------------|----|---|---|---|---------------|--------------|----|
| 5                      | 20 | 27.2 | 29.1 | 29.8 | 24.5 | 33.1 | 501864-5081      | 501864-5051 | 50 |   |   |   |               |              |    |
| QTY OF Ground Terminal |    |      |      |      |      |      | F                | E           | D  | C | B | A | EMBOSSED TAPE | MATERIAL NO. | 極数 |
|                        |    |      |      |      |      |      | ORDER No. オーダー番号 |             |    |   |   |   |               |              |    |

|   |   |                                       |        |  |                   |  |                        |                        |  |  |
|---|---|---------------------------------------|--------|--|-------------------|--|------------------------|------------------------|--|--|
| RELEASED<br>EC NO:<br>DRWN:MMABEI<br>CHKD:K. MORIKAWA<br>APPR:MMORIKAWA<br>REV: O | DESCRIPTION<br>2008/07/07<br>2008/07/09<br>2008/07/10 | GENERAL TOLERANCES (UNLESS SPECIFIED) |        | DIMENSION STYLE<br>MM ONLY                                 |                   | SCALE<br>//  | DESIGN UNITS<br>METRIC | THIRD ANGLE PROJECTION |  |  |
|   |   | 10 UNDER                              | ± 0.2  | DRAWN BY<br>M. NABEI                                       | DATE<br>'08/07/07 | TITLE<br>0.5 FFC TO BOARD CONN<br>REC. HSG ASSY (RA)   |                        |                        |  |  |
|   |   | 10 OVER 30 UNDER                      | ± 0.25 | CHECKED BY<br>K. MORIKAWA                                  | DATE<br>'08/07/07 | MOLEX INCORPORATED   |                        |                        |  |  |
|   |   | 30 OVER                               | ± 0.3  | APPROVED BY<br>H. HIRATA                                   | DATE<br>'08/07/07 | DOCUMENT NO.<br>SD-501864-010  |                        |                        |  |  |
|   |   | ANGULAR ±1 °                          |        | DRAFT WHERE APPLICABLE<br>MUST REMAIN<br>WITHIN DIMENSIONS |                   | MATERIAL NO.<br>SEE TABLE  |                        | SHEET NO.<br>1 OF 2    |  |  |
|   |   |                                       |        | SIZE<br>A3   |                   | THIS DRAWING CONTAINS INFORMATION THAT IS PROPRIETARY TO MOLEX<br>INCORPORATED AND SHOULD NOT BE USED WITHOUT WRITTEN PERMISSION |                        |                        |  |  |

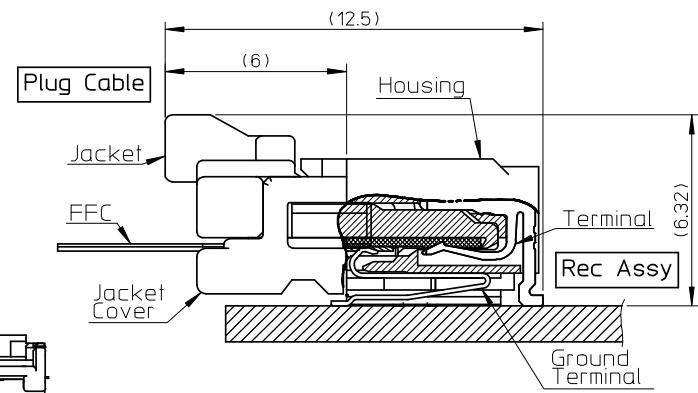
ELV AND RoHS COMPLIANT.



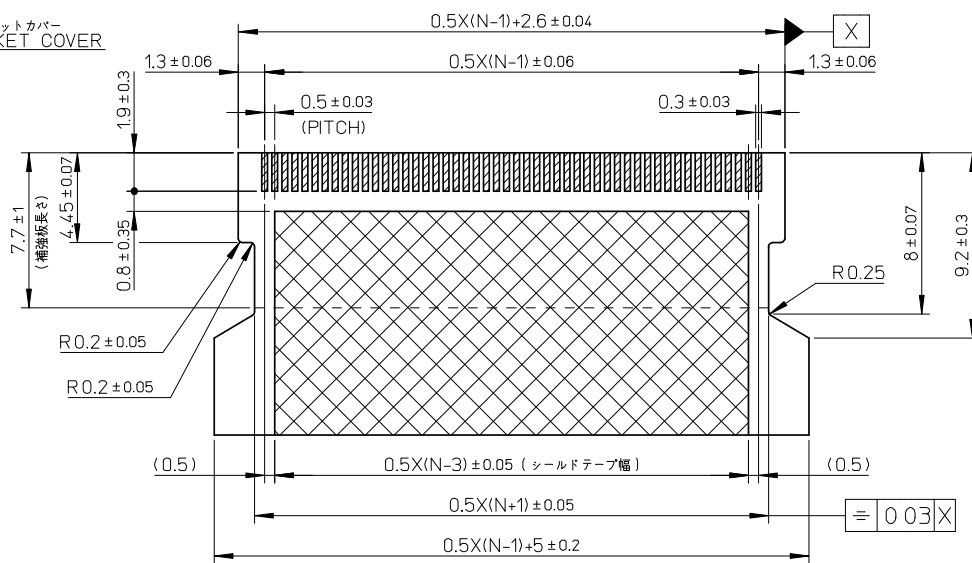
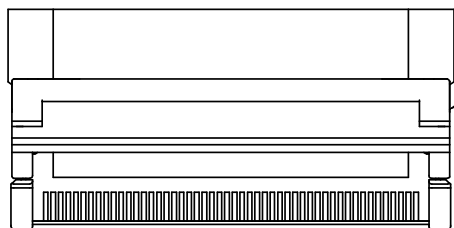
△ ジャケット  
JACKET



△ ジャケットカバー  
JACKET COVER



嵌合断面図



注記 1. 使用材料 MATERIAL  
NOTE

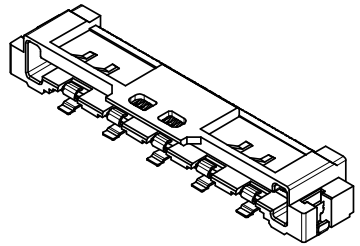
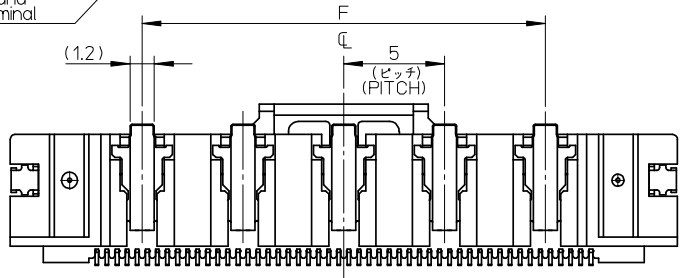
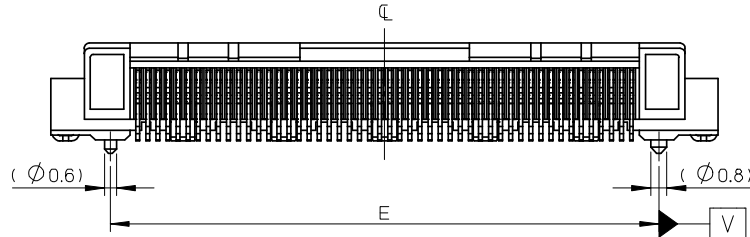
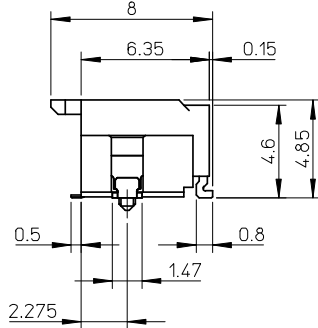
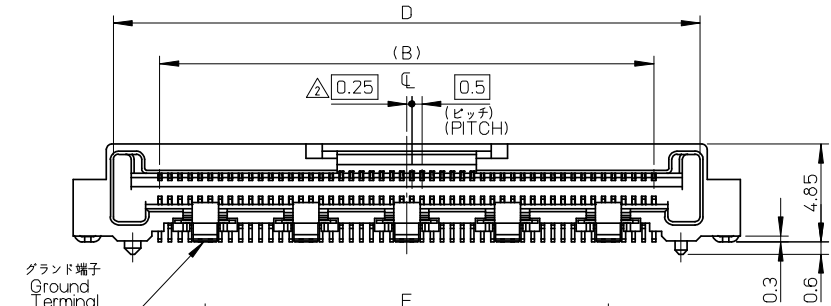
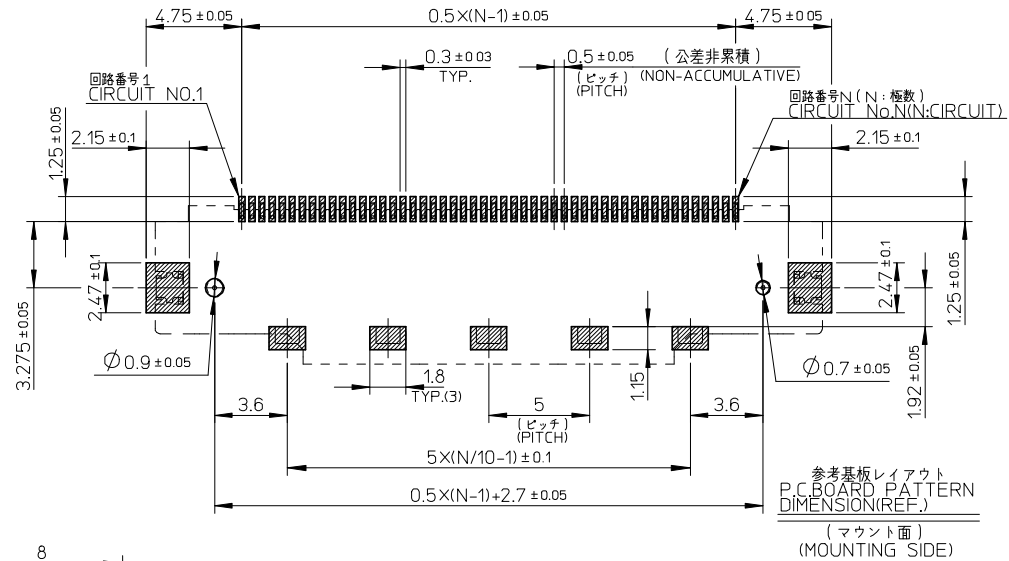
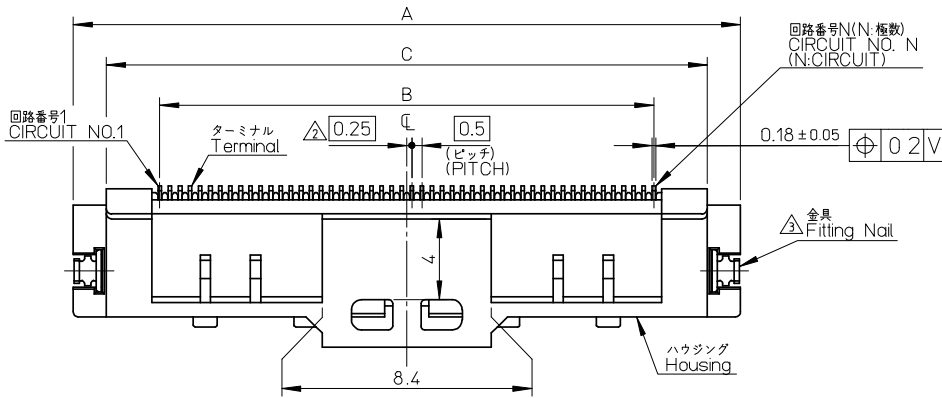
- ハウジング HOUSING : 液晶ポリマー (LCP), ガラス充填, UL94V-0 色:黒色  
LIQUID CRYSTAL POLYMER(LCP), GLASS FILLED,UL94V-0 COLOR:BLACK
- ターミナル TERMINAL : 銅合金 (t=0.18)  
COPPER ALLOY(t=0.18)
- メッキ PLATING
- ソルダーテール TAIL AREA : ニッケル下地 錫ヒスマメッキ  
Sn-Bi PLATING OVER NICKEL PLATING
- 金具 FITTING NAIL : 銅合金 (t=0.25)  
ニッケル下地 錫メッキ  
COPPER ALLOY(t=0.25)  
TIN OVER NICKEL PLATING.
- グラウンド端子 GROUND TERMINAL : 銅合金 (t=0.15)  
ニッケル下地 錫メッキ  
COPPER ALLOY(t=0.15)  
TIN OVER NICKEL PLATING.

適合FFC推奨寸法  
APPLICABLE FFC  
RECOMMENDED DIMENSION  
(仕上がり厚さ: コネクタ接点部  $0.3\pm 0.03$ )  
シールド部  $0.44\pm 0.05$ )  
コネクタ接点部  
シールド部

- ② N=偶数に適用 (N:極数)  
APPLY FOR N-EVEN(CIRCUIT)
- ③ パターン剥離止め用金具  
FITTING NAIL FOR PREVENTION OF PEELING  
OF PCB PATTERN.
- ④ 適合ジャケット: 503150-\*\*\*09  
製品詳細寸法はSD-503150-001を参照下さい。  
APPLICABLE JACKET: 503150-\*\*\*09  
RE DETAILED DIMENSION,SEE SD-503150-001.
- ⑤ 適合ジャケットカバー: 503151-\*\*\*09  
製品詳細寸法はSD-503151-001を参照下さい。  
APPLICABLE JACKET: 503151-\*\*\*09  
RE DETAILED DIMENSION,SEE SD-503151-001.

|                                |  |                               |                              |  |                          |                            |                   |  |                        |                           |  |
|--------------------------------|--|-------------------------------|------------------------------|--|--------------------------|----------------------------|-------------------|--|------------------------|---------------------------|--|
| RELEASED<br>EC NO: 0<br>REV: 0 | 2008/07/07<br>DRWN:MNABEI                                  | 2008/07/09<br>CHKD:K.MORIKAWA | 2008/07/10<br>APPR:KMORIKAWA | GENERAL TOLERANCES<br>(UNLESS SPECIFIED)   |                          | DIMENSION STYLE<br>MM ONLY |                   | SCALE<br>1:1   | DESIGN UNITS<br>METRIC | THIRD ANGLE<br>PROJECTION |  |
|                                | 10 UNDER ±0.2  |                               | 10 OVER 30 UNDER ±0.25       |  | DRAWN BY<br>M.NABEI      |                            | DATE<br>'08/07/07 | TITLE<br>0.5 FFC TO BOARD CONN<br>REC. HSG ASSY (RA) |                        |                           |  |
|                                | 30 OVER ±0.3   |                               | ANGULAR ±1 °                 |  | CHECKED BY<br>K.MORIKAWA |                            | DATE<br>'08/07/07 | APPROVED BY<br>H.HIRATA                              |                        |                           |  |
|                                | DRAFT WHERE APPLICABLE<br>MUST REMAIN<br>WITHIN DIMENSIONS |                               | SEE SHEET 1                  |  | APPROVED BY<br>H.HIRATA  |                            | DATE<br>'08/07/07 | MATERIAL NO.<br>DOCUMENT NO.<br>SHEET NO.            |                        |                           |  |
|                                |  |                               |                              | THIS DRAWING CONTAINS INFORMATION THAT IS PROPRIETARY TO MOLEX<br>INCORPORATED AND SHOULD NOT BE USED WITHOUT WRITTEN PERMISSION |                          |                            |                   | MOLEX INCORPORATED<br>SD-501864-010<br>2 OF 2        |                        |                           |  |

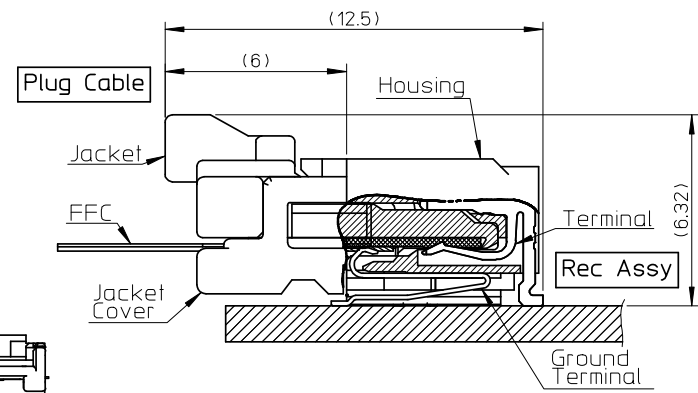
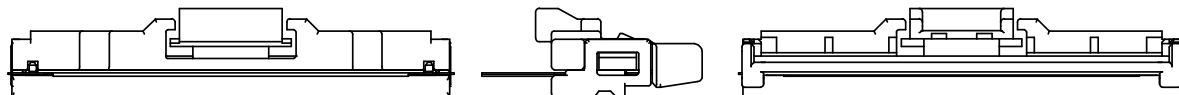
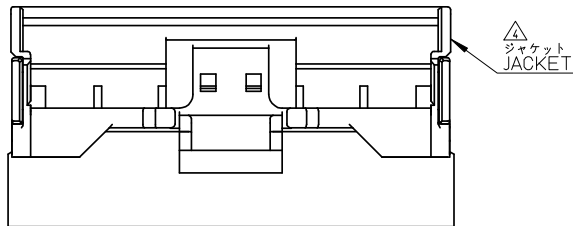
ELV AND RoHS COMPLIANT.



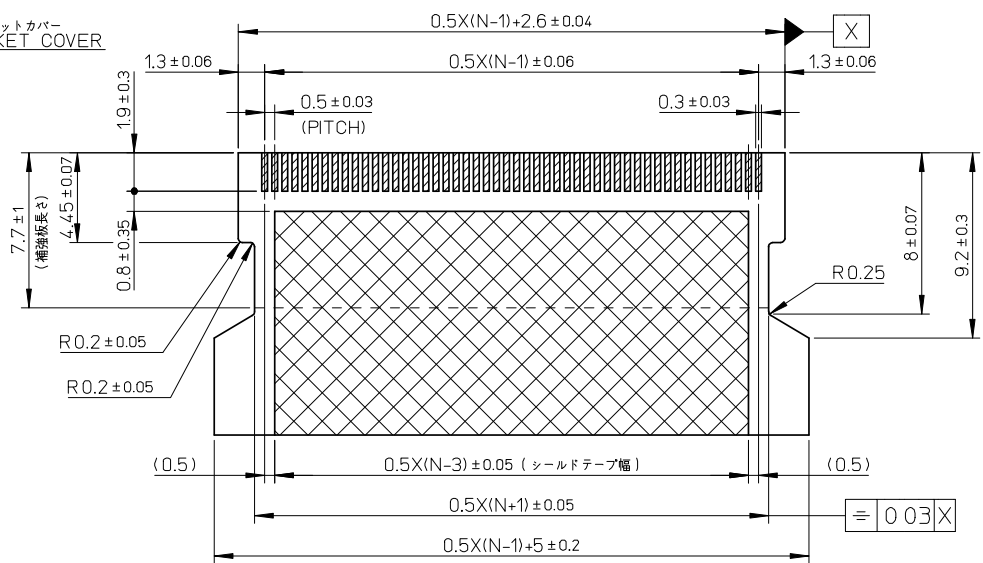
|                        |    |      |      |      |      |      |                  |             |    |   |   |   |               |              |    |
|------------------------|----|------|------|------|------|------|------------------|-------------|----|---|---|---|---------------|--------------|----|
| 5                      | 20 | 27.2 | 29.1 | 29.8 | 24.5 | 33.1 | 501864-5081      | 501864-5051 | 50 |   |   |   |               |              |    |
| QTY OF Ground Terminal |    |      |      |      |      |      | F                | E           | D  | C | B | A | EMBOSSED TAPE | MATERIAL NO. | 極数 |
|                        |    |      |      |      |      |      | ORDER No. オーダー番号 |             |    |   |   |   |               |              |    |

|  |   |                                       |        |  |                   |  |                        |                               |  |                     |
|--|---|---------------------------------------|--------|--|-------------------|--|------------------------|-------------------------------|--|---------------------|
| RELEASED<br>EC NO:<br>DRWN:MMABEI<br>CHKD:K. MORIKAWA<br>APPR:K.MORIKAWA<br>REV: O | DESCRIPTION<br>2008/07/07<br>2008/07/09<br>2008/07/10 | GENERAL TOLERANCES (UNLESS SPECIFIED) |        | DIMENSION STYLE<br>MM ONLY                                 |                   | SCALE<br>//  | DESIGN UNITS<br>METRIC | THIRD ANGLE PROJECTION        |  |                     |
|  |   | 10 UNDER                              | ± 0.2  | DRAWN BY<br>M. NABEI                                       | DATE<br>'08/07/07 | TITLE<br>0.5 FFC TO BOARD CONN<br>REC. HSG ASSY (RA)   |                        |                               |  |                     |
|  |   | 10 OVER 30 UNDER                      | ± 0.25 | CHECKED BY<br>K. MORIKAWA                                  | DATE<br>'08/07/07 | MOLEX INCORPORATED   |                        |                               |  |                     |
|  |   | 30 OVER                               | ± 0.3  | APPROVED BY<br>H. HIRATA                                   | DATE<br>'08/07/07 |  |                        |                               |  |                     |
|  |   | ANGULAR ± 1 °                         |        | DRAFT WHERE APPLICABLE<br>MUST REMAIN<br>WITHIN DIMENSIONS |                   | MATERIAL NO.<br>SEE TABLE  |                        | DOCUMENT NO.<br>SD-501864-010 |  | SHEET NO.<br>1 OF 2 |
|  |   |                                       |        | SIZE<br>A3   |                   | THIS DRAWING CONTAINS INFORMATION THAT IS PROPRIETARY TO MOLEX<br>INCORPORATED AND SHOULD NOT BE USED WITHOUT WRITTEN PERMISSION |                        |                               |  |                     |

ELV AND RoHS COMPLIANT.



嵌合断面図



注記 1. 使用材料 MATERIAL  
NOTE

- ハウジング HOUSING : 液晶ポリマー (LCP), ガラス充填, UL94V-0 色:黒色  
LIQUID CRYSTAL POLYMER(LCP), GLASS FILLED,UL94V-0 COLOR:BLACK
- ターミナル TERMINAL : 銅合金 (τ=0.18)  
COPPER ALLOY(τ=0.18)
- メッキ PLATING
- ソルダーテール TAIL AREA : ニッケル下地 錫ヒスマメッキ  
Sn-Bi PLATING OVER NICKEL PLATING
- 金具 FITTING NAIL : 銅合金 (τ=0.25)  
ニッケル下地 錫メッキ  
COPPER ALLOY(τ=0.25)  
TIN OVER NICKEL PLATING.
- グラウンド端子 GROUND TERMINAL : 銅合金 (τ=0.15)  
ニッケル下地 錫メッキ  
COPPER ALLOY(τ=0.15)  
TIN OVER NICKEL PLATING.

適合FFC推奨寸法  
APPLICABLE FFC  
RECOMMENDED DIMENSION  
(仕上がり厚さ: コネクタ接点部 0.3±0.03)  
シールド部 0.44±0.05)  
コネクタ接点部  
シールド部

- △2 N=偶数に適用 (N:極数)  
APPLY FOR N-EVEN(CIRCUIT)
- △3 パターン剥離止め用金具  
FITTING NAIL FOR PREVENTION OF PEELING  
OF PCB PATTERN.
- △4 適合ジャケット: 503150-\*\*\*09  
製品詳細寸法はSD-503150-001を参照下さい。  
APPLICABLE JACKET: 503150-\*\*\*09  
RE DETAILED DIMENSION,SEE SD-503150-001.
- △5 適合ジャケットカバー: 503151-\*\*\*09  
製品詳細寸法はSD-503151-001を参照下さい。  
APPLICABLE JACKET: 503151-\*\*\*09  
RE DETAILED DIMENSION,SEE SD-503151-001.

|                         |     |                               |             |  |  |                            |              |   |              |                           |
|-------------------------|-----|-------------------------------|-------------|--|--|----------------------------|--------------|---|--------------|---------------------------|
| RELEASED<br>EC NO:<br>O | REV | 2008/07/07<br>DRWN:MMABEI     | DESCRIPTION | GENERAL TOLERANCES<br>(UNLESS SPECIFIED) |  | DIMENSION STYLE<br>MM ONLY |              | SCALE                                       | DESIGN UNITS | THIRD ANGLE<br>PROJECTION |
|                         |     | 2008/07/09<br>CHKD:K.MORIKAWA |             | 10 UNDER ±0.2                            | DRAWN BY   | DATE                       | TITLE        | 0.5 FFC TO BOARD CONN<br>REC. HSG ASSY (RA) |              |                           |
|                         |     | 2008/07/10<br>APPR:KMORIKAWA  |             | 10 OVER 30 UNDER ±0.25                   | CHECKED BY   | DATE                       |              |   |              |                           |
|                         |     |                               |             | 30 OVER ±0.3                             | APPROVED BY  | DATE                       |              |   |              |                           |
|                         |     |                               |             | ANGULAR ±1 °                             | DRAFT WHERE APPLICABLE<br>MUST REMAIN<br>WITHIN DIMENSIONS | SEE SHEET 1                | MATERIAL NO. | DOCUMENT NO.                                |              | SHEET NO.                 |
|                         |     |                               |             |  |  |                            |              |   |              |                           |

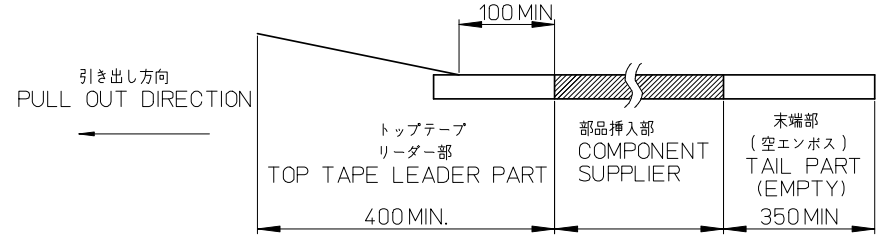
ELV AND RoHS COMPLIANT.

NOTES

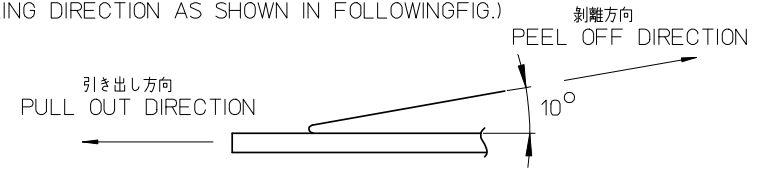
1. 梱包数量: 900 個/リール  
NUMBER OF CONNECTORS: 900 PCS/REEL
2. リードテープ長さ  
LEAD TAPE LENGTH

トップテープ接着部  
TOP TAPE BONDED PART  
(空エンボス)  
(EMPTY)

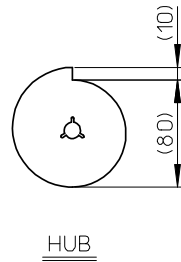
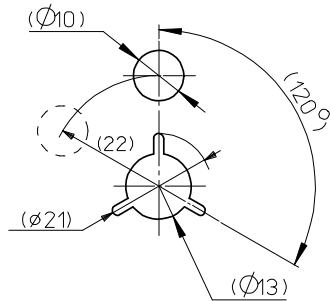
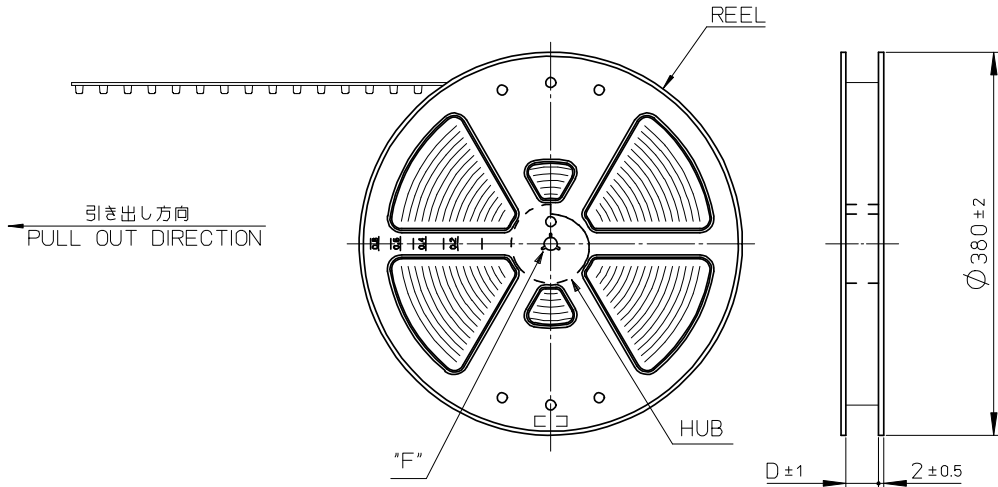
トップテープ未接着部  
TOP TAPE NON-BONDED PART



3. トップテープの剥離強度: 「JES-59」参照のこと  
(剥離方向は下図参照)  
PEEL-OFF FORCE OF TOP TAPE: REFER TO JES-59  
(PEELING DIRECTION AS SHOWN IN FOLLOWING FIG.)



4. 製品詳細寸法については図面 SD-501864-010を参照下さい。  
RE DETAILED DIMENSION, SEE SD-501864-010.
5. 材料(MATERIAL)  
キャリアテープ(CARRIER TAPE): ポリスチレン(POLYSTYRENE)  
トップテープ(TOP TAPE): PET, PE, PE  
リール(REEL): ポリスチレン(POLYSTYRENE) <<<リサイクル材を含む>>>  
<<<RECYCLE MATERIAL CONTAINED>>>

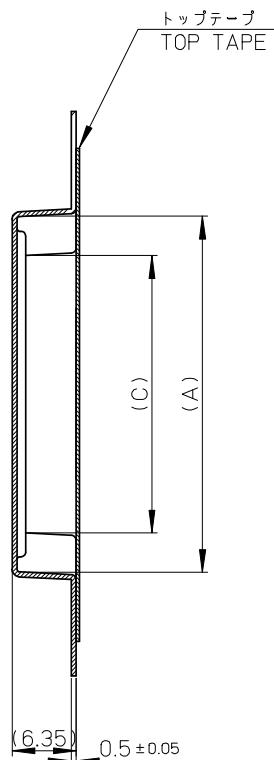


DETAIL "F"

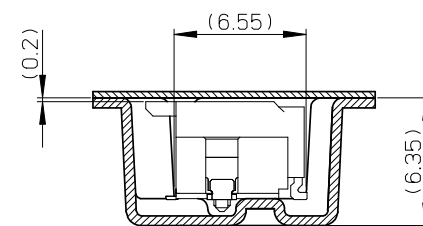
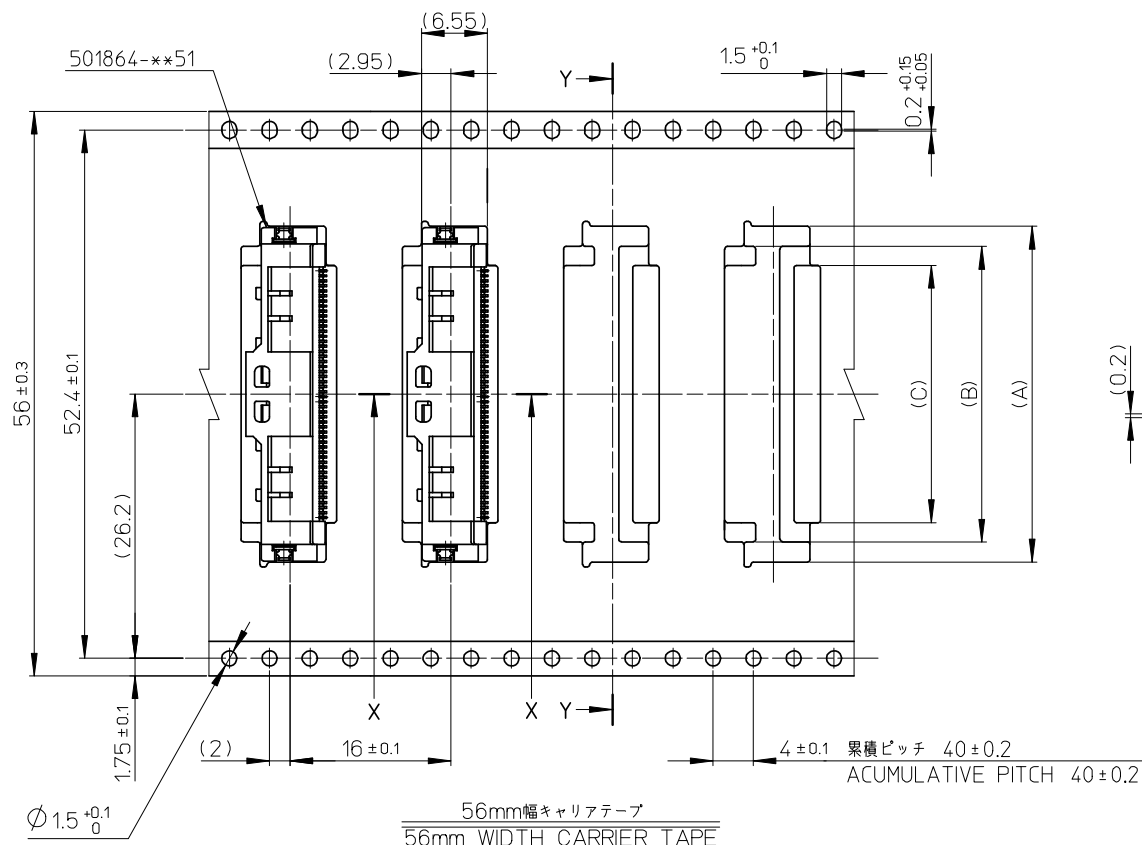
|                              |  |  |  |                         |  |   |              |                        |  |
|------------------------------|--|--|--|-------------------------|--|---|--------------|------------------------|--|
| RELEASED                     |  | GENERAL TOLERANCES (UNLESS SPECIFIED)                |  | DIMENSION STYLE         |  | SCALE   | DESIGN UNITS | 501864-**-81 MODEL NO. |  |
| EC NO: 2008/07/08            |  | ±0.2   |  | MM ONLY                 |  | ---   | METRIC       | THIRD ANGLE PROJECTION |  |
| DRWN: MABEI 2008/07/09       |  | ±0.25  |  | DRAWN BY: M. NABEI      |  | TITLE   |              | EMBSTP PKG FOR         |  |
| CHKD: K. MORIKAWA 2008/07/09 |  | ±0.3   |  | DATE: '08/07/08         |  | EMBLEM  |              | 0.5 FFC TO BOARD       |  |
| APPR: K. MORIKAWA 2008/07/10 |  | ANGULAR ±3°  |  | CHECKED BY: K. MORIKAWA |  | MOLEX INCORPORATED  |              | RA TYPE                |  |
| REV: 0                       |  | DRAFT WHERE APPLICABLE MUST REMAIN WITHIN DIMENSIONS |  | DATE: '08/07/08         |  | DOCUMENT NO.  |              | SD-501864-011          |  |
|                              |  |  |  | APPROVED BY: H. HIRATA  |  | SHEET NO.   |              | 1 OF 2                 |  |
|                              |  |  |  | MATERIAL NO.            |  | THIS DRAWING CONTAINS INFORMATION THAT IS PROPRIETARY TO MOLEX INCORPORATED AND SHOULD NOT BE USED WITHOUT WRITTEN PERMISSION |              |                        |  |
|                              |  |  |  | SIZE: A3                |  |   |              |                        |  |

ELV AND RoHS COMPLIANT.

引き出し方向  
PULL OUT DIRECTION



SECT. Y-Y



SECT. X-X

|                                |      |      |      |      |                      |           |
|--------------------------------|------|------|------|------|----------------------|-----------|
| 56                             | 57.4 | 25.5 | 29.3 | 33.3 | 501864-5081          | 50        |
| キャリアテープ幅<br>CARRIER TAPE WIDTH | D    | C    | B    | A    | 製品番号<br>MATERIAL NO. | 極数<br>CKT |

|  |                                       |  |                            |                   |  |                        |                           |
|--|---------------------------------------|--|----------------------------|-------------------|--|------------------------|---------------------------|
| RELEASED<br>EC NO: 0<br>DRWN: MABEI 2008/07/08<br>CHKDK: MORIKAWA 2008/07/09<br>APPR: KMORIKAWA 2008/07/10 | GENERAL TOLERANCES (UNLESS SPECIFIED) |  | DIMENSION STYLE<br>MM ONLY |                   | SCALE<br>—/—   | DESIGN UNITS<br>METRIC | THIRD ANGLE<br>PROJECTION |
|  | 10 UNDER                              | ±0.2   | DRAWN BY<br>M. NABEI       | DATE<br>'08/07/08 | TITLE<br>EMBSTP PKG FOR<br>0.5 FFC TO BOARD<br>RA TYPE |                        |                           |
|  | 10 OVER 30 UNDER                      | ±0.25  | CHECKED BY<br>K. MORIKAWA  | DATE<br>'08/07/08 | MOLEX INCORPORATED                                     |                        |                           |
|  | 30 OVER                               | ±0.3   | APPROVED BY<br>H. HIRATA   | DATE<br>'08/07/08 | DOCUMENT NO.<br>SD-501864-011                          |                        |                           |
| ANGULAR ±3°  |                                       | DRAFT WHERE APPLICABLE<br>MUST REMAIN<br>WITHIN DIMENSIONS   |                            | SEE TABLE         |  | SHEET NO.<br>2 OF 2    |                           |
|  |                                       | THIS DRAWING CONTAINS INFORMATION THAT IS PROPRIETARY TO MOLEX<br>INCORPORATED AND SHOULD NOT BE USED WITHOUT WRITTEN PERMISSION |                            |                   |  |                        |                           |

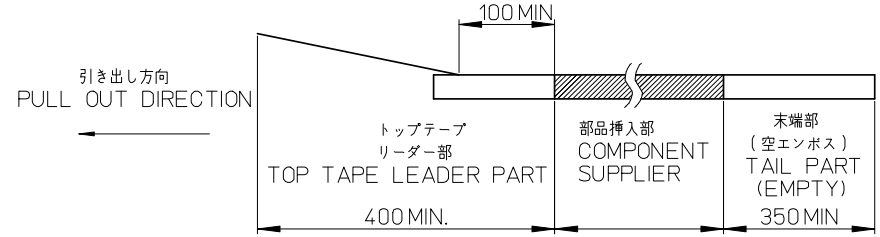
ELV AND RoHS COMPLIANT.

NOTES

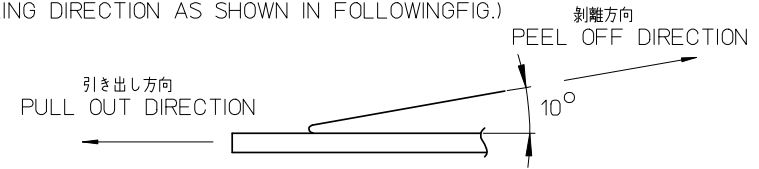
1. 梱包数量：900 個/リール  
NUMBER OF CONNECTORS:900 PCS/REEL
2. リードテープ長さ  
LEAD TAPE LENGTH

トップテープ接着部  
TOP TAPE BONDED PART  
(空エンボス)  
(EMPTY)

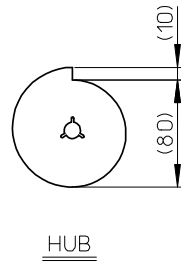
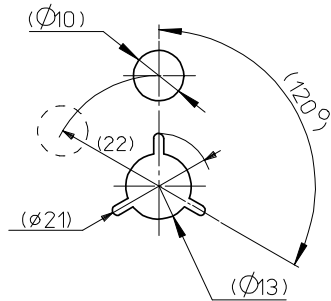
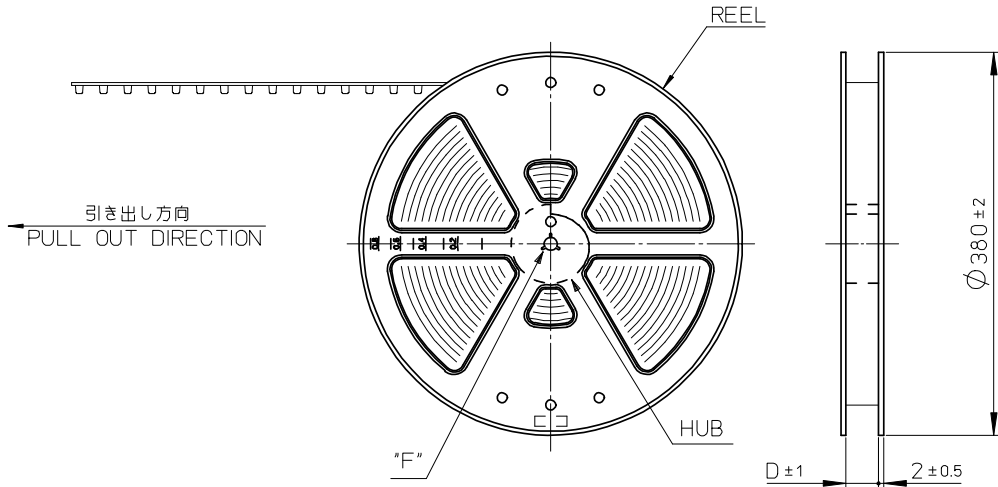
トップテープ未接着部  
TOP TAPE NON-BONDED PART



3. トップテープの剥離強度：「JES-59」参照のこと  
(剥離方向は下図参照)  
PEEL-OFF FORCE OF TOP TAPE : REFER TO JES-59  
(PEELING DIRECTION AS SHOWN IN FOLLOWING FIG.)



4. 製品詳細寸法については図面 SD-501864-010を参照下さい。  
RE DETAILED DIMENSION, SEE SD-501864-010.
5. 材料(MATERIAL)  
キャリアテープ(CARRIER TAPE) : ポリスチレン(POLYSTYRENE)  
トップテープ(TOP TAPE) : PET, PE, PE  
リール(REEL) : ポリスチレン(POLYSTYRENE) <<<リサイクル材を含む>>>  
<<<RECYCLE MATERIAL CONTAINED>>>



DETAIL "F"

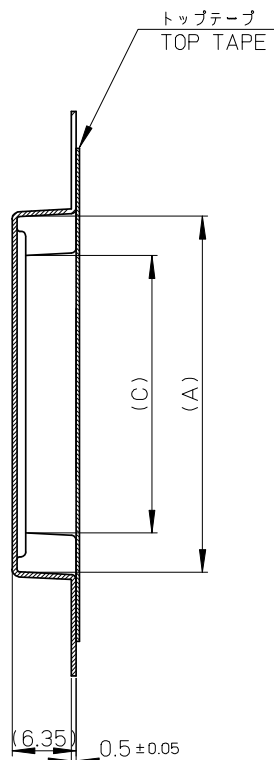
HUB

501864-\*\*-81 MODEL NO.

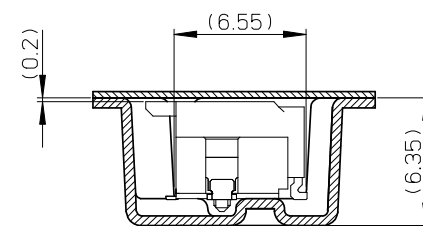
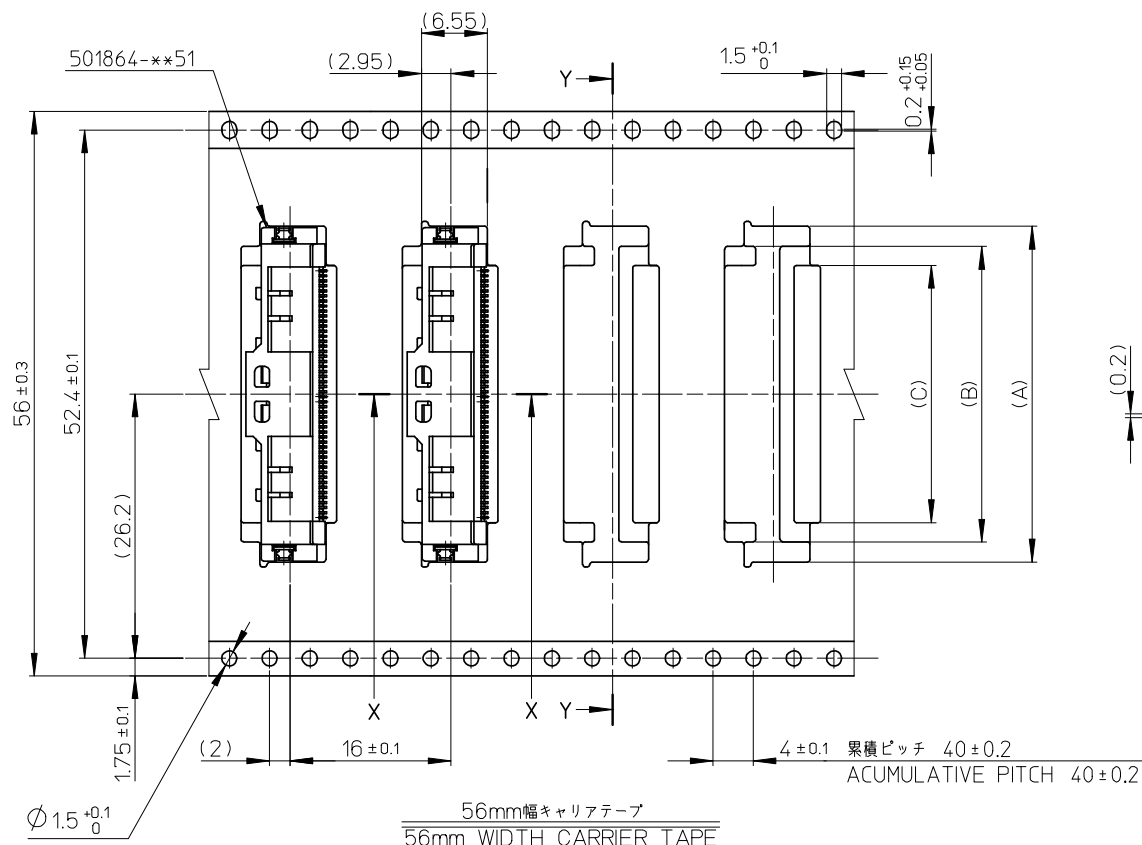
|                         |                               |  |            |                             |  |  |                        |                           |  |
|-------------------------|-------------------------------|--|------------|-----------------------------|--|--|------------------------|---------------------------|--|
| RELEASED<br>EC NO:<br>0 | 2008/07/08<br>DRWN:MNABEI     | GENERAL TOLERANCES<br>(UNLESS SPECIFIED)                   |            | DIMENSION STYLE<br>MM ONLY  |  | SCALE<br>---   | DESIGN UNITS<br>METRIC | THIRD ANGLE<br>PROJECTION |  |
|                         | 2008/07/09<br>CHKD:K.MORIKAWA | 10 UNDER   | $\pm 0.2$  | DRAWN BY<br>M.NABEI         | DATE<br>'08/07/08  | TITLE<br>EMBSTP PKG FOR<br>0.5 FFC TO BOARD<br>RA TYPE |                        |                           |  |
|                         | 2008/07/10<br>APPR:KMORIKAWA  | 10 OVER 30 UNDER   | $\pm 0.25$ | CHECKED BY<br>K.MORIKAWA    | DATE<br>'08/07/08  | MOLEX INCORPORATED                                     |                        |                           |  |
|                         | REV                           | 30 OVER  | $\pm 0.3$  | APPROVED BY<br>H.HIRATA     | DATE<br>'08/07/08  | DOCUMENT NO.<br>SD-501864-011                          |                        |                           |  |
|                         |                               | ANGULAR  | $\pm 3$    | MATERIAL NO.<br>SEE SHEET 2 | SHEET NO.<br>1 OF 2  |  |                        |                           |  |
|                         |                               | DRAFT WHERE APPLICABLE<br>MUST REMAIN<br>WITHIN DIMENSIONS |            |                             | THIS DRAWING CONTAINS INFORMATION THAT IS PROPRIETARY TO MOLEX<br>INCORPORATED AND SHOULD NOT BE USED WITHOUT WRITTEN PERMISSION |  |                        |                           |  |

ELV AND RoHS COMPLIANT.

引き出し方向  
PULL OUT DIRECTION



SECT. Y-Y



SECT. X-X

56mm幅キャリアテープ  
56mm WIDTH CARRIER TAPE

|                                |      |      |      |      |                      |           |
|--------------------------------|------|------|------|------|----------------------|-----------|
| 56                             | 57.4 | 25.5 | 29.3 | 33.3 | 501864-5081          | 50        |
| キャリアテープ幅<br>CARRIER TAPE WIDTH | D    | C    | B    | A    | 製品番号<br>MATERIAL NO. | 極数<br>CKT |

|  |                       |   |                           |                            |  |                     |                        |                           |
|--|-----------------------|---|---------------------------|----------------------------|--|---------------------|------------------------|---------------------------|
| RELEASED<br>EC NO: O<br>DRWN: MABEI 2008/07/08<br>CHKDK: MORIKAWA 2008/07/09<br>APPR: KMORIKAWA 2008/07/10 | DESCRIPTION<br>REV: 0 | GENERAL TOLERANCES (UNLESS SPECIFIED)                                     |                           | DIMENSION STYLE<br>MM ONLY |  | SCALE<br>1:1        | DESIGN UNITS<br>METRIC | THIRD ANGLE<br>PROJECTION |
|  |                       | 10 UNDER ±0.2<br>10 OVER 30 UNDER ±0.25<br>30 OVER ±0.3                   | DRAWN BY<br>M. NABEI      | DATE<br>'08/07/08          | TITLE<br>EMBSTP PKG FOR<br>0.5 FFC TO BOARD<br>RA TYPE |                     |                        |                           |
|  |                       | ANGULAR ±3°<br>DRAFT WHERE APPLICABLE<br>MUST REMAIN<br>WITHIN DIMENSIONS | CHECKED BY<br>K. MORIKAWA | DATE<br>'08/07/08          | MOLEX INCORPORATED                                     |                     |                        |                           |
|  |                       | SEE TABLE   | APPROVED BY<br>H. HIRATA  | DATE<br>'08/07/08          | DOCUMENT NO.<br>SD-501864-011                          | SHEET NO.<br>2 OF 2 |                        |                           |