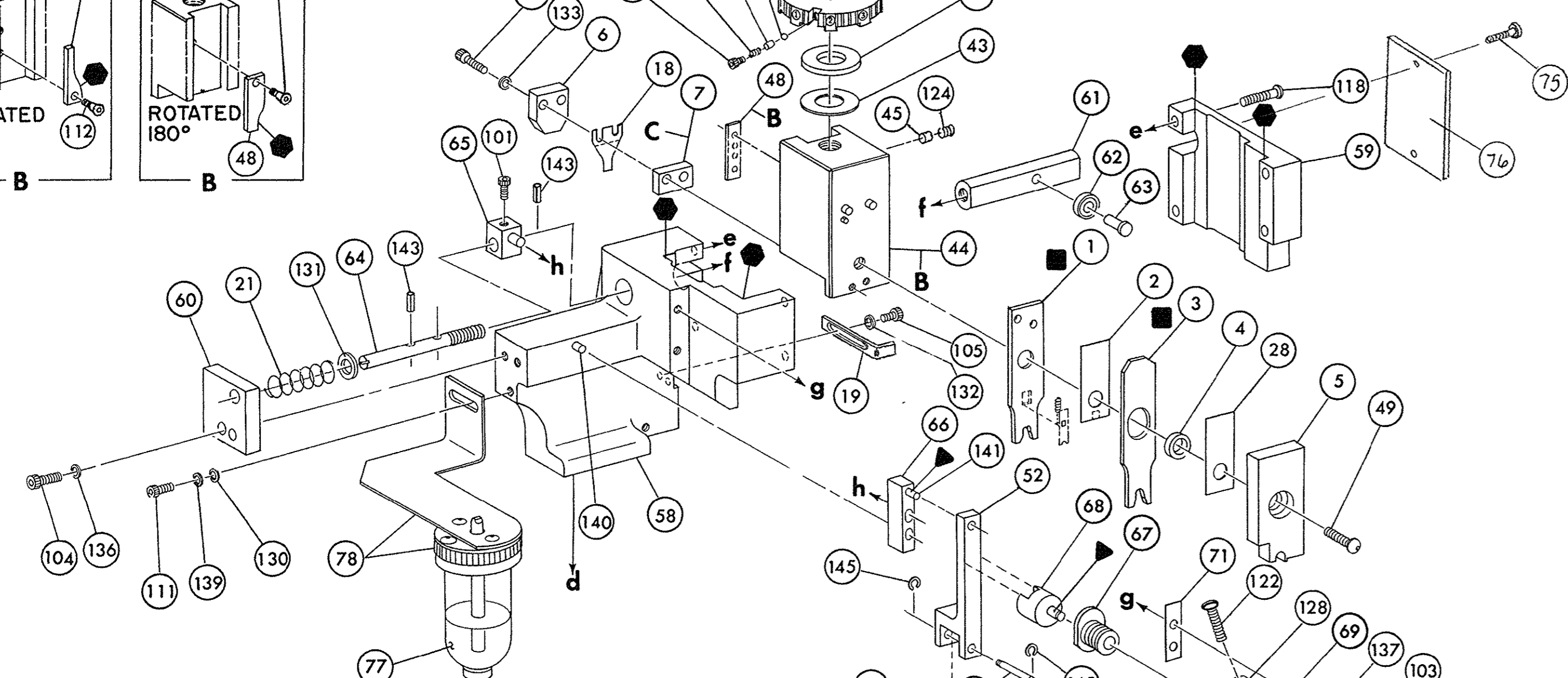
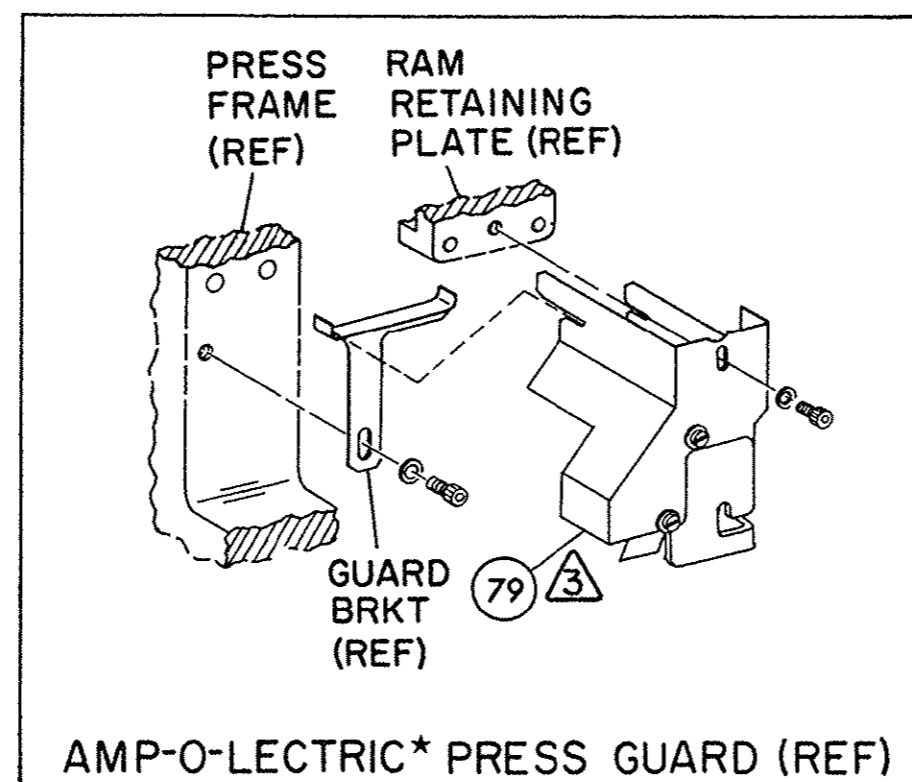
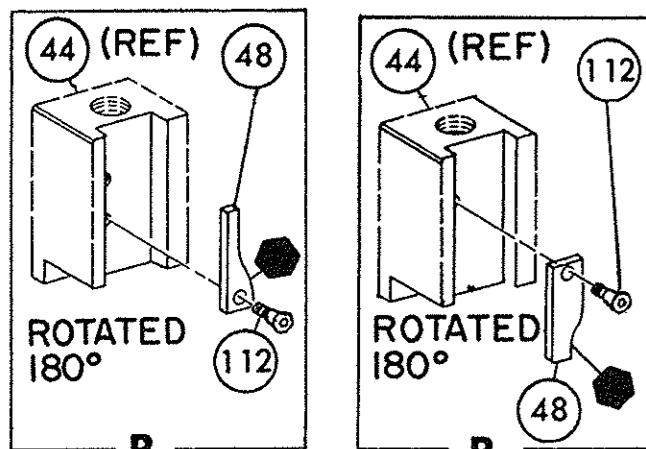


PRE-FEED
1 1/8" STROKE

POST-FEED
1 5/8" STROKE



NOTES:

1- ONLY THE ITEMS WITH QUANTITIES SPECIFIED ON PARTS LIST ARE USED ON THIS APPLICATOR.

▲-USED IN PLACE OF ITEM 38 WHEN INSULATION CRIMP IS NOT USED.

▲-GUARD MUST BE IN PLACE WHEN OPERATING APPLICATOR IN AMP-O-LECTRIC PRESS.

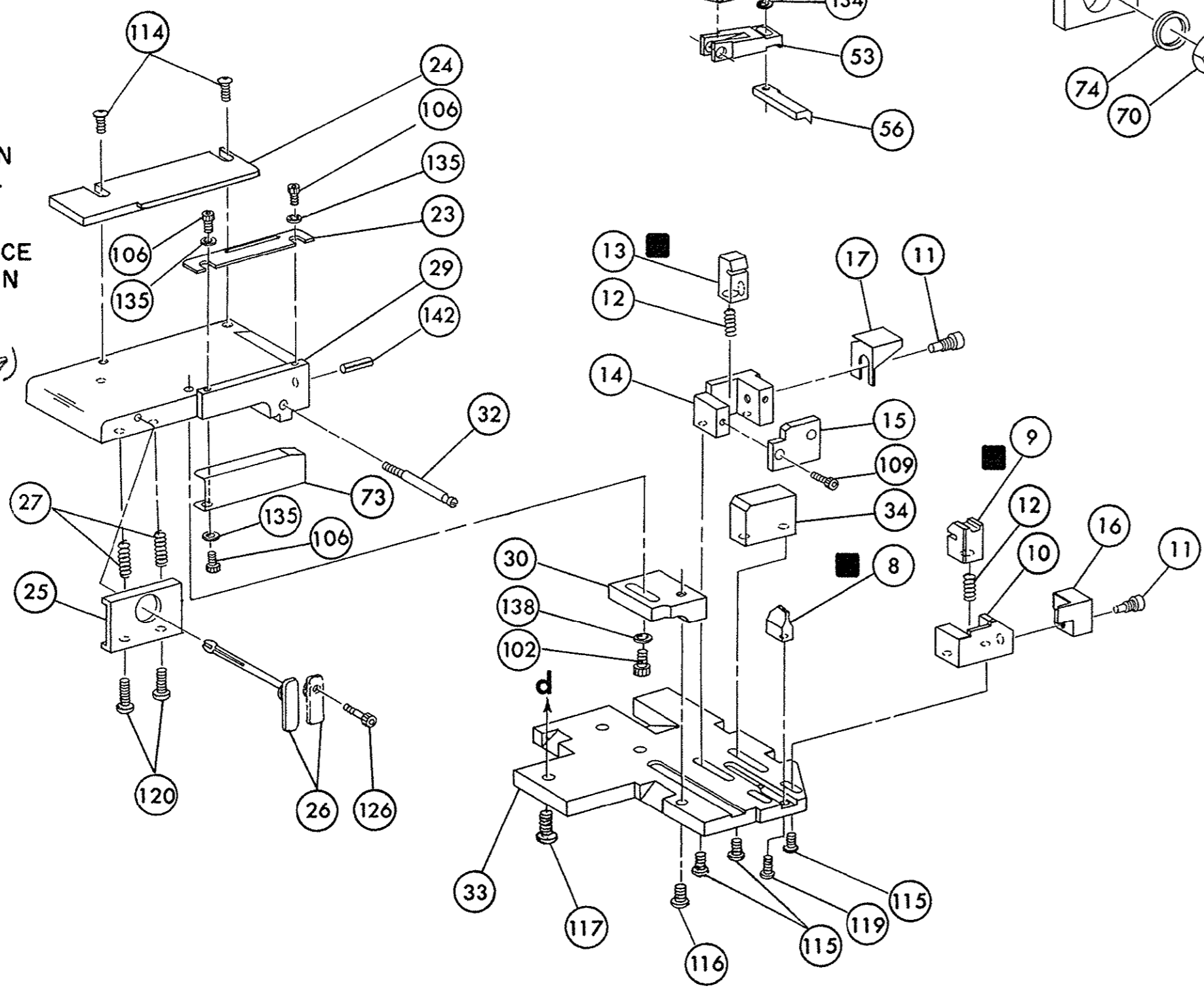
4- ITEMS WITH QTY. OF REF. SPECIFIED (EXCEPT ITEM 79) ARE USED ON ITEM 46.

▲-CUT TO LENGTH AT 45°.

■-RECOMMENDED SPARE PARTS

▲-LUBRICATE DAILY USING NO. 20 MACHINE OIL.

●-GREASE LIGHTLY



QTY	PART NO	DESCRIPTION	ITEM NO	QTY	PART NO	DESCRIPTION	ITEM NO
REF.	21045-3	RING, RETAINING 'C' (.187 DIA) FEED FINGER PIN	145	REF.	454220-1	CAP, HOUSING	59
REF.	5-21028-1	PIN, SLOT SPR (.125 DIA X .50) ADJ ROD	144	REF.	454485-1	HOUSING	58
1	4-21028-0	PIN, SLOT SPR (.093 DIA X .75) STR G PLATE	143				57
REF.	1-21030-1	PIN, DOWEL (.187 DIA X .50) LEVER	142	1	690542-2	PAWL, FEED	56
REF.	1-21030-6	PIN, DOWEL (.187 DIA X 1.25) HOUSING	141	REF.	240624-1	PIN, FEED FINGER	55
—	21024-5	WASHER, LOCK (NO 10) LUB ASSY	140	REF.	691499-1	SPRING, FEED FINGER	54
1	21024-5	WASHER, LOCK (NO 10) STRIP GUIDE ADJ BLOCK	139	REF.	690541-1	FINGER, FEED	53
REF.	21024-5	WASHER, LOCK (NO 10) ADJ PLATE	138	REF.	455679-1	LEVER, TERMINAL FEED ARM	52
REF.	21024-5	WASHER, LOCK (NO 10) FEED GUIDE ROD	137	1	81282-2	BUMPER, HOLDDOWN	51
3	21057-2	WASHER, LOCK (NO 4) FRONT STRIP GUIDE	136	1	690753-1	SPACER, TONKER	50
1	21024-4	WASHER, LOCK (NO 8) FEED FINGER	135	1	7-21002-9	BOLT, CRIMPER	49
2	21024-4	WASHER, LOCK (NO 8) DEPRESSOR	134	1	690602-5	CAM PRE-FEED 1/8 STROKE	48
REF.	21024-4	WASHER, LOCK (NO 8) STRIPPER	133				47
REF.	21899-4	WASHER, FLAT (5/16 DIA) SCREW ADJ	132	1	459456-1	APPLICATOR, BASIC (SUB ASSY)	46
—	21899-2	WASHER, FLAT (NO 10) LUB ASSY	131	1	690191-1	PLUG, NYLON	45
1	21068-5	NUT, HEX MACH (6-32) HOLDDOWN	130	1	455673-1	RAM	44
REF.	21068-5	NUT, HEX MACH (6-32) FEED ADJ	129	1	690125-1	WASHER, LAMINATED	43
			128	1	690124-1	WASHER, RAM	42
			127				41
1	22353-8	SCR, SHLD. (.187 DIA X .250 LG) DRAG LEVER	126	2	23241-6	BALL, STEEL	40
1	456567-1	SCR, SHLD (.189 DIA X .18)	125	2	690170-1	SPRING, COMPRESSION	39
1	21009-2	SCR, SKT SET (1/4-20 X .25) (LOC-WEL) RAM	124	1	690142-1	DISC, INSULATION	38
			123	1	9-690672-9	DISC, WIRE	37
REF.	6-23715-4	SCR, PANHD MACH (6-32 X 1.25) FEED ADJ	122	1	22480-5	WASHER, SPRING	36
2	3-21002-0	SCR, BUT HD SKT CAP (10-32 X .38) DRAG	121	1	690212-1	POST, RAM	35
1	22733-8	SCR, BUT HD SKT CAP (8-32 X .38) (LOC-WEL) ANVIL	120				34
REF.	2-21002-9	SCR, BUT HD SKT CAP (10-32 X .75) CAP	119	REF.	455675-1	PLATE, BASE	33
REF.	2-22733-8	SCR, BUT HD SKT CAP (1/4-20 X .62) HOUSING	118	1	690432-3	SCREW, ADJUSTMENT	32
REF.	2-21002-7	SCR, BUT HD SKT CAP (10-32 X .50) SG ADJ BLOCK	117	REF.	455689-1	BLOCK, STRIP GUIDE ADJ	30
2	2-21002-2	SCR, BUT HD SKT CAP (8-32 X .50) SHEAR	116	1	1-453144-3	PLATE, STRIP GUIDE	29
2	2-21002-2	SCR, BUT HD SKT CAP (8-32 X .50) R STRIP GUIDE	115	1	1-455888-0	SPACER, FRONT SHEAR DEPRESSOR	28
1	1-21002-7	SCR, BUT HD SKT CAP (6-32 X .38) CAM	114	2	1-22284-0	SPRING, DRAG	27
—	3-21000-4	SCR, SKT HD CAP (10-32 X .38) LUBRICATOR ASSY	113	1	356835-1	LEVER, DRAG RELEASE	26
2	23030-1	SCR, SKT HD CAP (6-32 X .25) (LOC-WEL) CP DISC	112	1	240792-1	DRAG, STOCK	25
2	2-21000-7	SCR, SKT HD CAP (8-32 X .48) DEPRESSOR	111	1	690504-8	GUIDE STRIP (REAR)	24
1	2-22603-0	SCR, HEX HD MACH (8-32 X .31) FEED FINGER	110	1	690433-1	GUIDE, STRIP (FRONT)	23
3	1-21000-3	SCR, SKT HD CAP (4-40 X .25) F STRIP GUIDE	109				22
1	2-21000-7	SCR, SKT HD CAP (8-32 X .50) STRIPPER	108	REF.	4-22284-9	SPRING, FEED RETURN	21
REF.	3-21000-7	SCR, SKT HD CAP (10-32 X .75) FEED ROD GUIDE	107				20
REF.	3-21000-6	SCR, SKT HD CAP (10-32 X .62) FEED ADJ BLOCK	106	1	691353-1	STRIPPER	19
1	3-21000-4	SCR, SKT HD CAP (10-32 X .38) SG ADJ BLOCK	105				18
REF.	3-21000-4	SCR, SKT HD CAP (10-32 X .38) PIVOT BLOCK	104				17
REF.	455749-1	GUARD, WINDOW	103				16
—	1-465184-0	LUBRICATOR ASSY	102	1	318563-1	GUARD, CHIP (FRONT)	15
		OIL, LUBRICATING	79				14
1	461264-1	PLATE, IDENTIFICATION	78				13
2	21017-2	SCR, DRIVE (2 X .19) ID PLATE	77	1	3-22280-3	SPRING, SHEAR	12
REF.	458109-1	WASHER, SPECIAL	76	1	690461-1	STOP, SHEAR	11
1	454877-3	PLATE, STRIP GUIDE COVER	75	1	690459-1	HOLDER, SHEAR (FRONT)	10
2	690603-1	SPRING, ASSIST	74	1	454276-1	SHEAR, FLOAT (FRONT)	9
REF.	690517-1	SPACER	73	1	454910-1	ANVIL	8
		NUT, HEX	72				7
		PLATE, ADJUSTMENT	71				6
		SHAFT, PIVOT	70	1	455889-9	DEPRESSOR, SHEAR (FRONT)	5
		BUSHING	69	1	1-238011-0	SPACER, TUBULAR, INS CRIMPER	4
		LEVER, INTERMEDIATE	68	1	5-683454-0	CRIMPER, INSULATION	3
		BLOCK, PIVOT	67	1	455888-5	SPACER, CRIMPER	2
		SCREW, ADJUSTMENT FEED ROD	66	1	1-456404-8	CRIMPER, WIRE	1
		PIN, CAM ROLLER	65				
		ROLLER, CAM	64				
		ROD, FEED	63				
		GUIDE, FEED ROD	62				

CRIMP	SIZE	TYPE	FEED	APPL INST	ITEM NO
WIRE	.070	F	.440	A1 8040	
INSUL	.140	O			
WIRE RANGE	22-18	INSULATION RANGE	1.060-.100*	PRESS NO	565435-5

REMARKS: PRE-FEED AMP-O-LECTRIC
GUIDE OFF INSULATION BARREL
* INS. RANGE OF G3242 IS .080 TO .120

REVISION	DATE	DESCRIPTION	BY	CHKD	APP'D
1					

APPLICATOR WILL APPLY

PAD LTR	CRIMP HEIGHT	WIRE SIZE	WIRE STRIP LENGTH
A	.046	18	
B	.040	20	
C	.037	22	
D	NOT USED		

APPLICATOR WILL APPLY: 61964, 62003, 62374, 62929, 63242, 63242-1

APPLICATOR WILL APPLY: 63242

APPLICATOR WILL APPLY: 63242-1

APPLICATOR WILL APPLY: 63242

THIS DRAWING IS A CONTROLLED DOCUMENT

THIS DRAWING IS UNCONTROLLED RELEASE FOR INFORMATION - MAY 1989 BY AMP INCORPORATED ALL RIGHTS RESERVED

DIST 10

