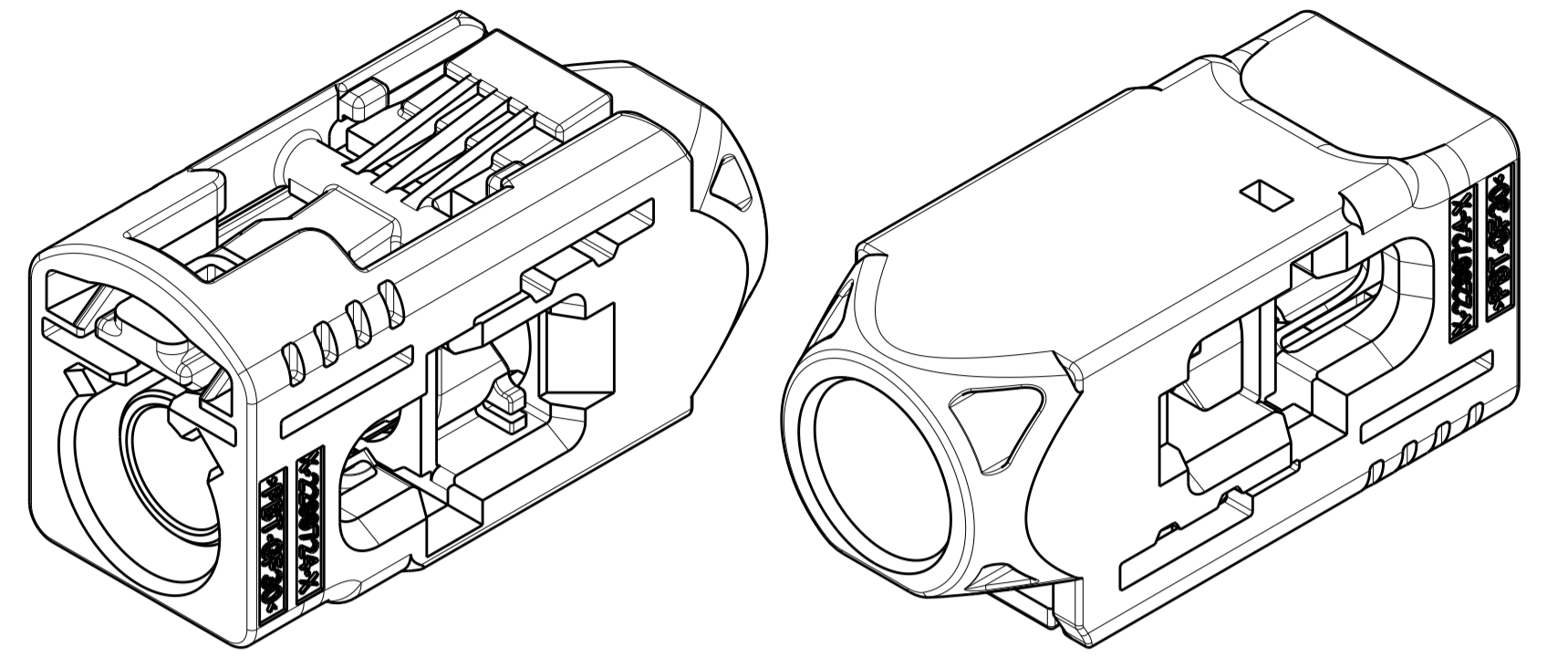
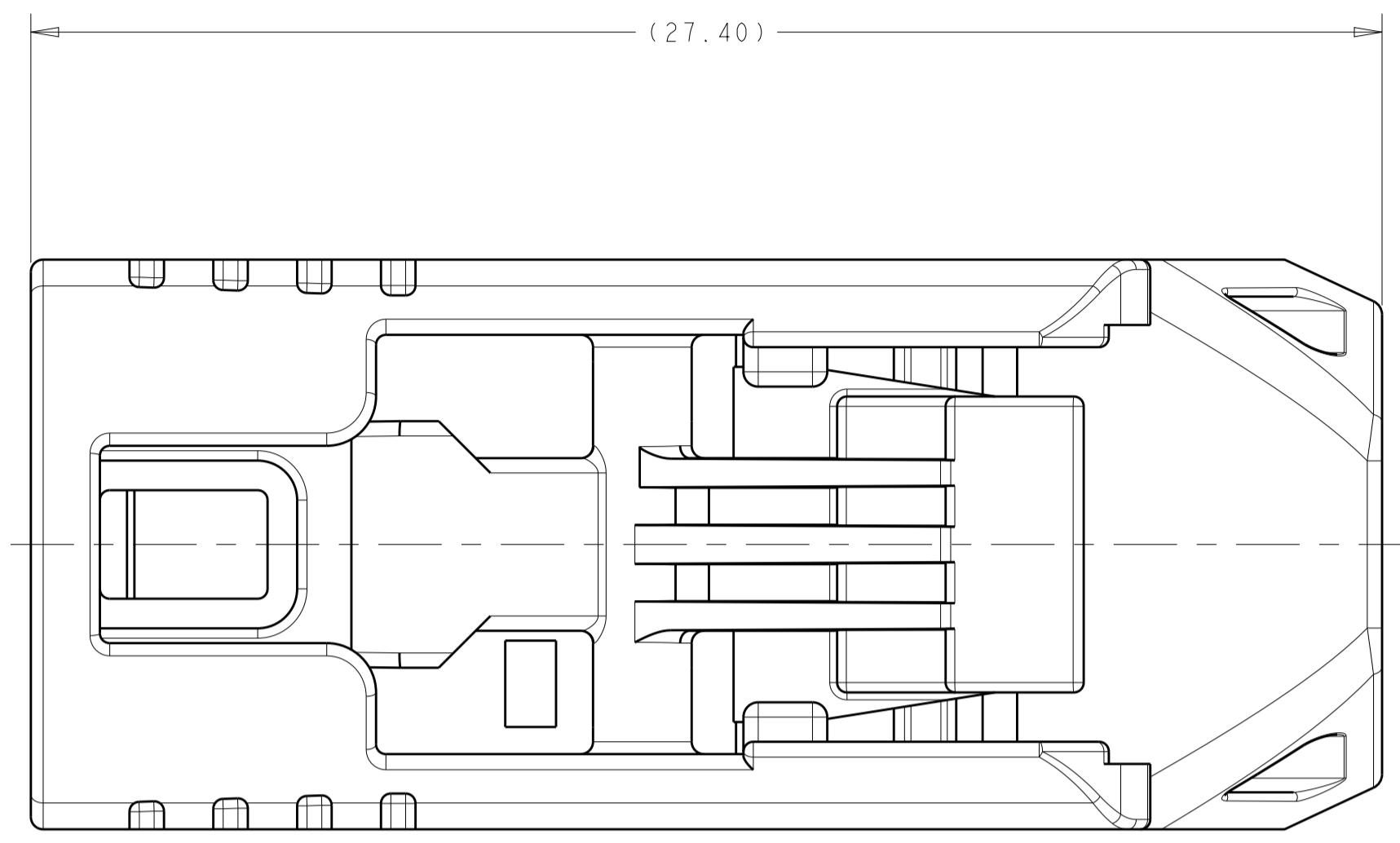
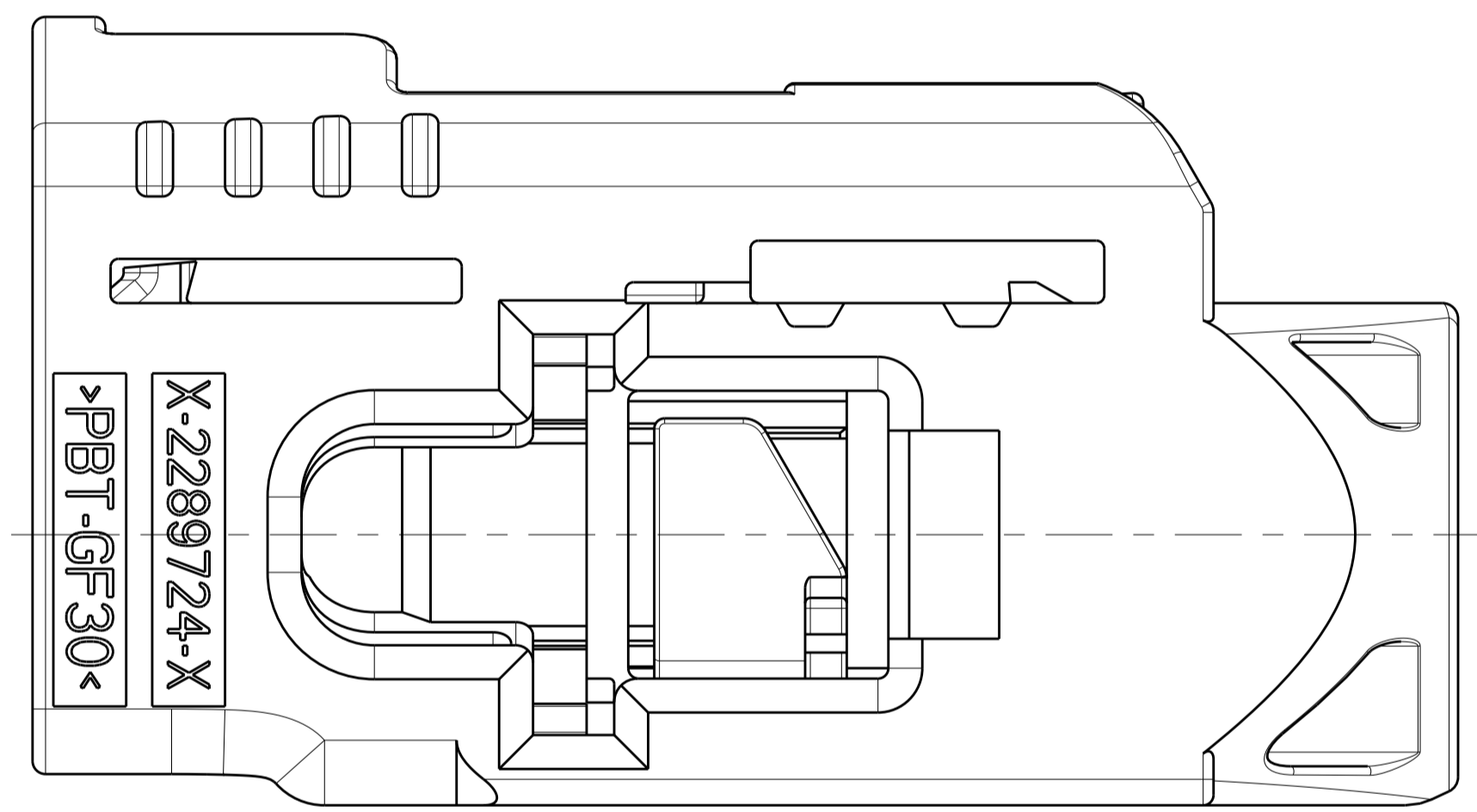
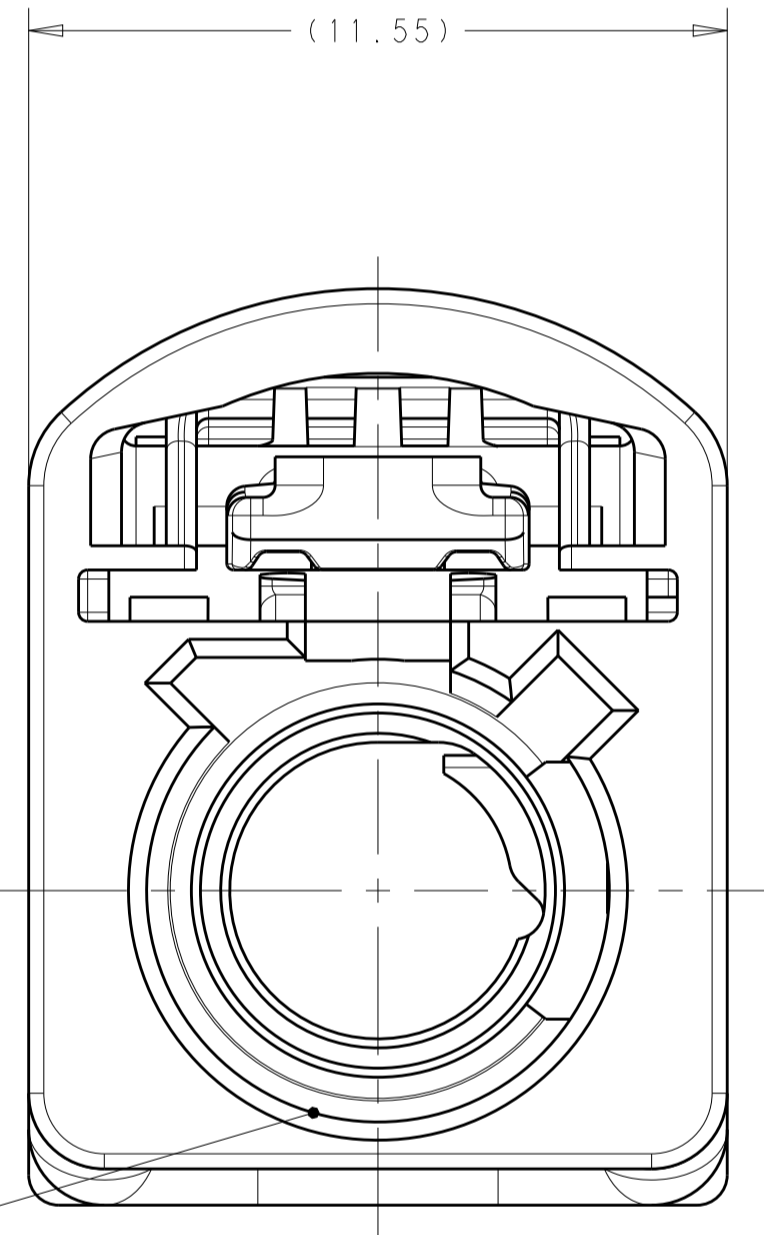
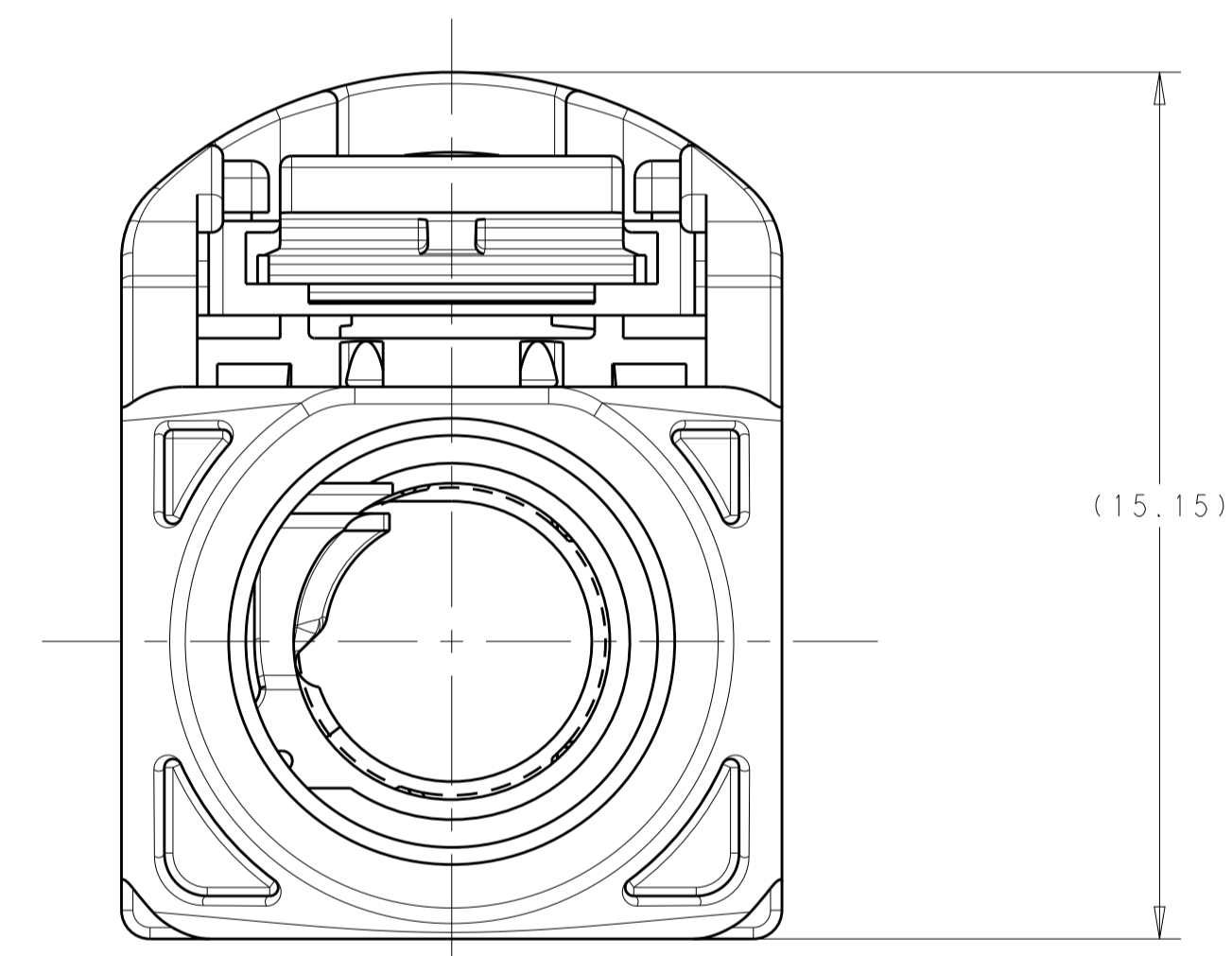


REVISIONS				
P. LTM	DESCRIPTION	DATE	DWN	APVD
1	INITIAL DRAWING.	21JUN2017	JAB	ERL



ISOMETRIC VIEWS
SCALE 4:1



Z	PER DETAIL Z	WATER BLUE	2-2289724-0
N	PER DETAIL N	PASTEL GREEN	1-2289724-3
M	PER DETAIL M	PASTEL ORANGE	1-2289724-2
L	PER DETAIL L	CARMINE RED	1-2289724-1
K	PER DETAIL K	CURRY	1-2289724-0
I	PER DETAIL I	BEIGE	2289724-9
H	PER DETAIL H	HEATHER VIOLET	2289724-8
G	PER DETAIL G	BLUE GREY	2289724-7
F	PER DETAIL F	NUT BROWN	2289724-6
E	PER DETAIL E	LEAF GREEN	2289724-5
D	PER DETAIL D	CLARET VIOLET	2289724-4
C	PER DETAIL C	SIGNAL BLUE	2289724-3
B	PER DETAIL B	CREAM	2289724-2
A	PER DETAIL A	JET BLACK	2289724-1
KEY CODE	KEYING	CODING COLOR	PART NUMBER

- 1. 2289724-1 AS SHOWN.
- △ MATERIAL, POLYESTER PBT, COLOR SEE TABLE.
- △ FEMALE INTERFACE PER ISO-20860-1, ISO-20860-2, SAE/USCAR-17, SAE/USCAR-18

THIS PRINT IS
PRELIMINARY
 FOR QUOTING PURPOSES ONLY
 CONTACT PRODUCT ENGINEERING
 BEFORE USING THIS PRINT

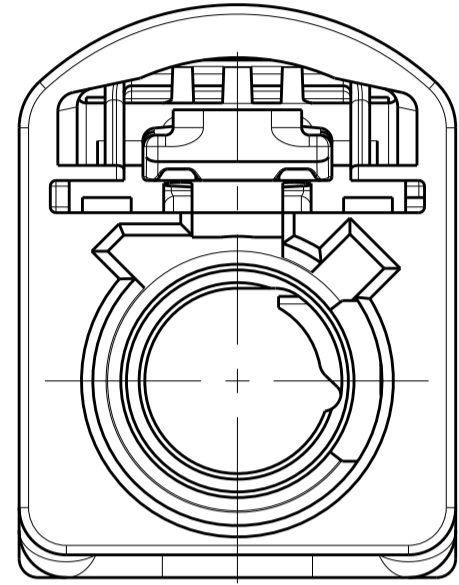
THIS DRAWING IS A CONTROLLED DOCUMENT.

DIMENSIONS:	TOLERANCES UNLESS OTHERWISE SPECIFIED:	DWN J.A. BAKER 21JUN2017	CHK E.R. LOVE 28JUL2017	APVD E.R. LOVE 28JUL2017	NAME FEMALE HOUSING, 1 POSITION, FAKRA
mm	0 PLC ± 1 PLC ± 2 PLC ± 3 PLC ± 4 PLC ± ANGLES ±	PRODUCT SPEC 108-32137	APPLICATION SPEC 114-32145	WEIGHT	SIZE A1
MATERIAL	FINISH	CUSTOMER DRAWING		SCALE 8:1	RESTRICTED TO

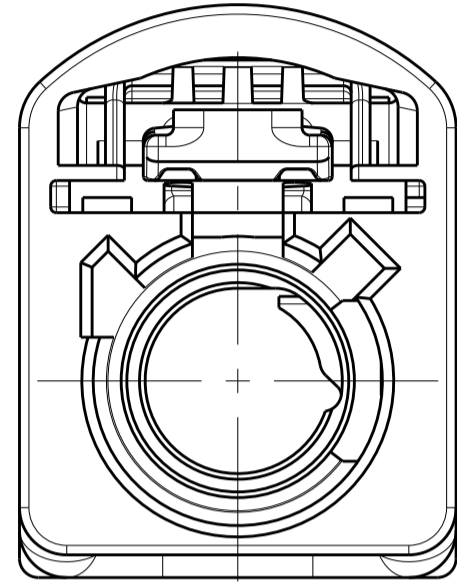
TE Connectivity
 ©=2289724
 SHEET 1 OF 3 REV 1

THIS DRAWING IS UNPUBLISHED. RELEASED FOR PUBLICATION
 COPYRIGHT copyright dbt ALL RIGHTS RESERVED.

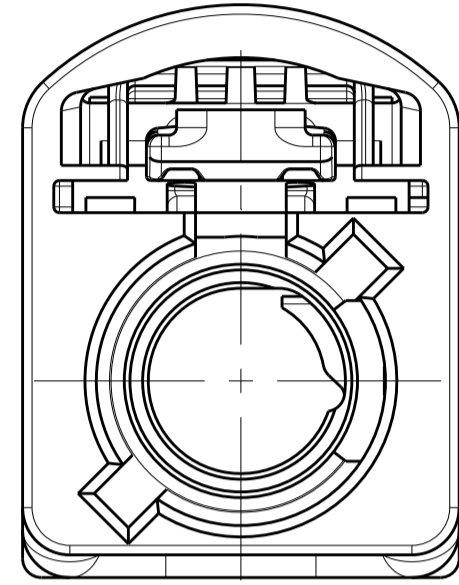
REVISIONS				
P.	LTN	DESCRIPTION	DATE	APP'D
-	-	SEE SHEET 1	-	-



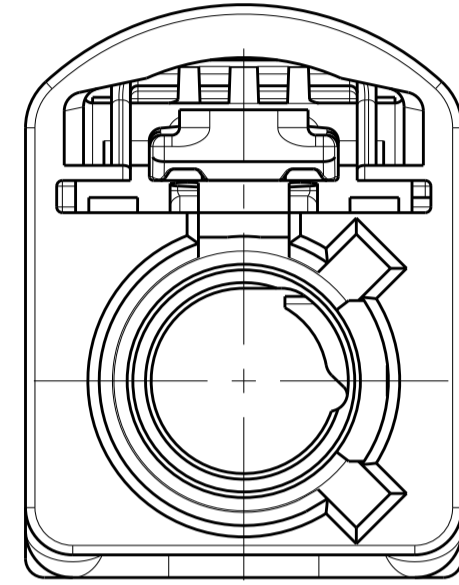
DETAIL A
SCALE 5:1



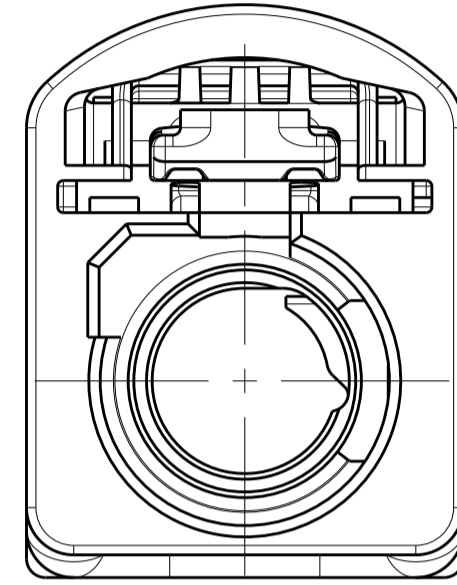
DETAIL B
SCALE 5:1



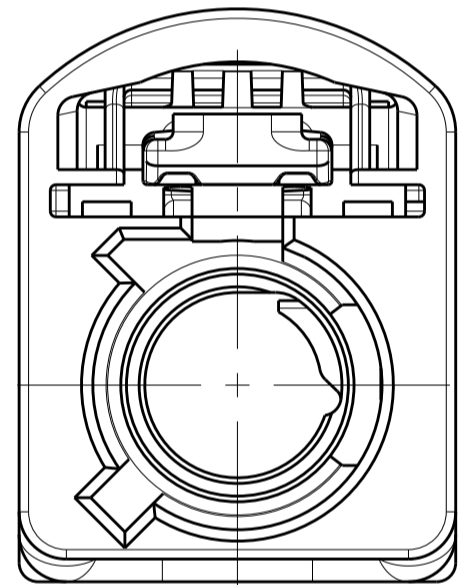
DETAIL C
SCALE 5:1



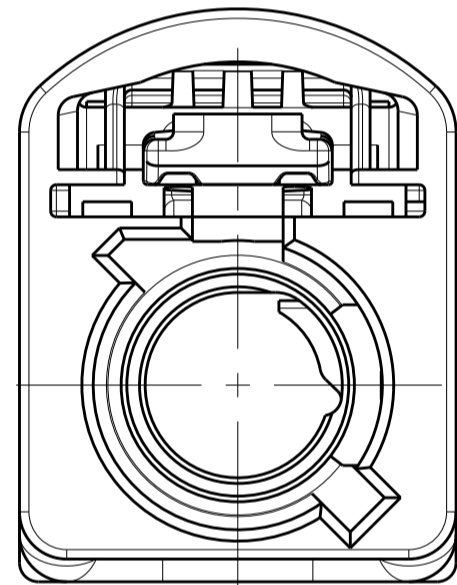
DETAIL D
SCALE 5:1



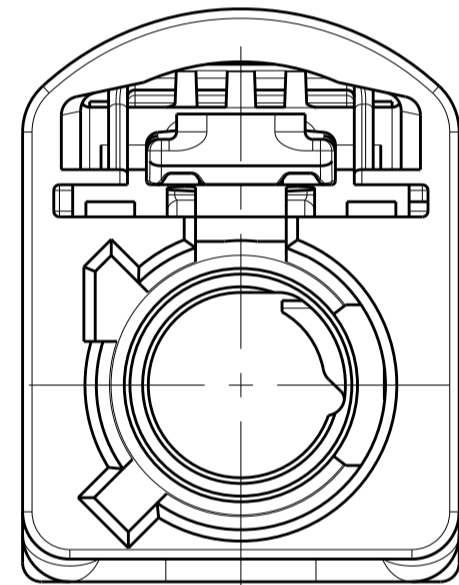
DETAIL E
SCALE 5:1



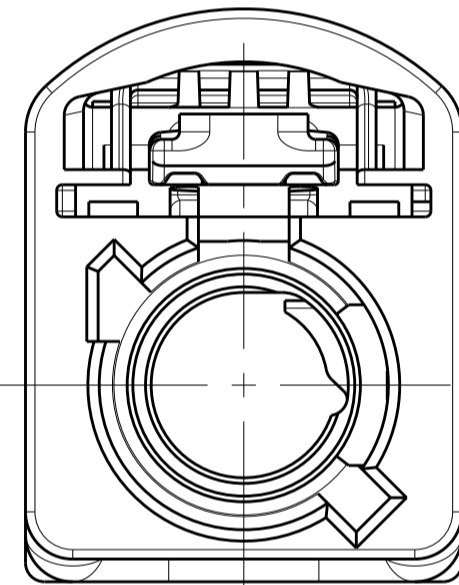
DETAIL F
SCALE 5:1



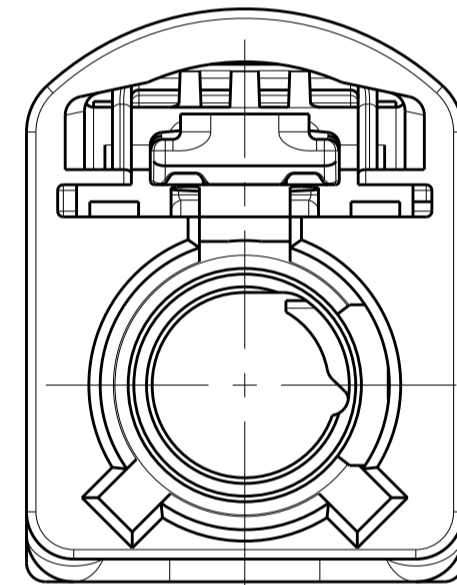
DETAIL G
SCALE 5:1



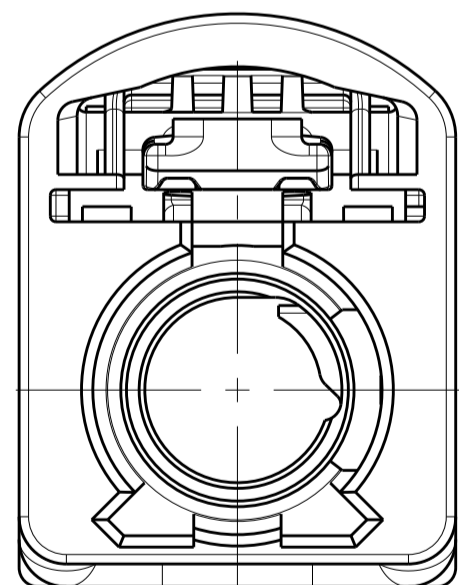
DETAIL H
SCALE 5:1



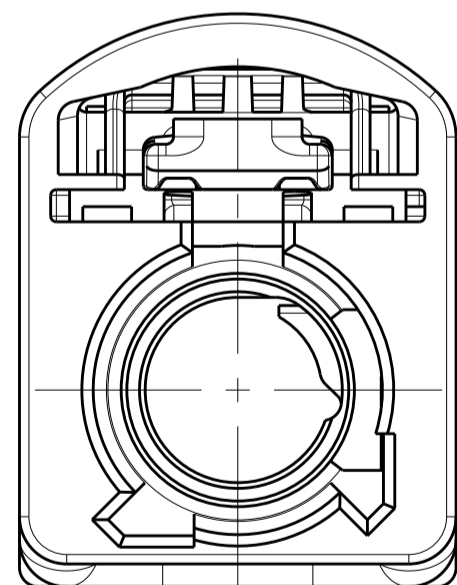
DETAIL I
SCALE 5:1



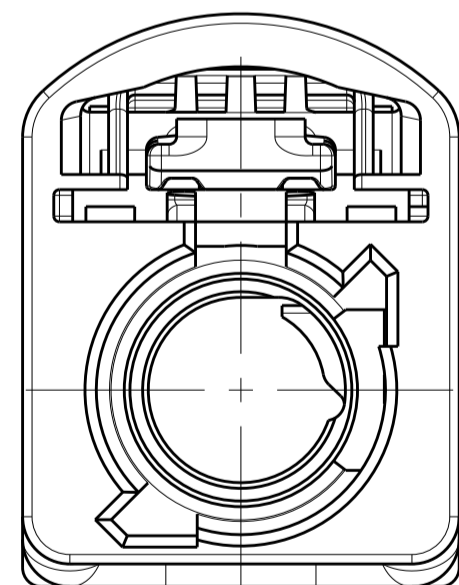
DETAIL K
SCALE 5:1



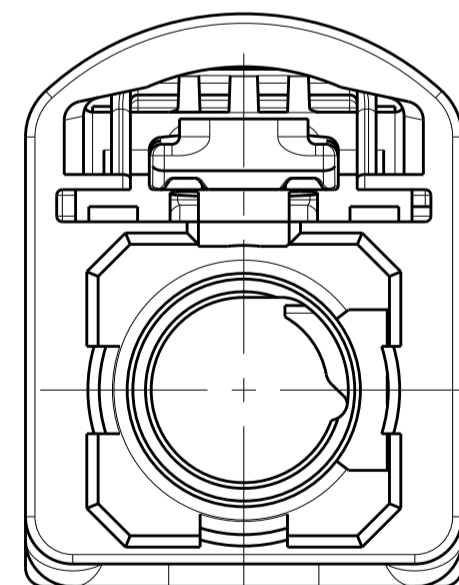
DETAIL L
SCALE 5:1



DETAIL M
SCALE 5:1



DETAIL N
SCALE 5:1



DETAIL Z
SCALE 5:1

THIS PRINT IS
PRELIMINARY
FOR QUOTING PURPOSES ONLY
CONTACT PRODUCT ENGINEERING
BEFORE USING THIS PRINT

THIS DRAWING IS A CONTROLLED DOCUMENT.		DWN J.A. BAKER 21JUN2017	
DIMENSIONS:		CHK E.R. LOVE 28JUL2017	
mm	TOLERANCES UNLESS OTHERWISE SPECIFIED:	APVD E.R. LOVE 28JUL2017	NAME FEMALE HOUSING, 1 POSITION, FAKRA
0 PLC ±	1 PLC ±	PRODUCT SPEC	SIZE
2 PLC ±	3 PLC ±	108-32137	CAGE CODE
4 PLC ±	ANGLES ±	APPLICATION SPEC	DRAWING NO
MATERIAL	FINISH	114-32145	RESTRICTED TO
		WEIGHT	A1
		CUSTOMER DRAWING	SCALE 8:1 SHEET 2 OF 3 REV 1

REVISIONS				
P.	LTN	DESCRIPTION	DATE	APVD
-	-	SEE SHEET 1	-	-

2289724-C						STOCK DISPOSITION			
FEMALE HOUSING, 1 POSITION, FAKRA -						A: CONTINUE AS IS		D: USE OLD FIRST	
REVISION HISTORY						B: REWORK		E: PARTS TO CONFORM	
REVISION HISTORY						C: SCRAP		F: OTHER	
DATE	REV	CHANGES	REASON	APPROVAL	INVENTORY (A,B,C,D,E,F)	WORK IN PROCESS (A,B,C,F)	SUPPLIER ORDERS (A,E,F)	OPEN CUST ORDERS (A,E,F)	
06APR2017	1	PROPOSED.	DEVELOPMENT ENGINEERING.	ERL	-	-	-	-	
-	-	-	-	-	-	-	-	-	
-	-	-	-	-	-	-	-	-	
-	-	-	-	-	-	-	-	-	
-	-	-	-	-	-	-	-	-	
-	-	-	-	-	-	-	-	-	
-	-	-	-	-	-	-	-	-	
-	-	-	-	-	-	-	-	-	
-	-	-	-	-	-	-	-	-	
-	-	-	-	-	-	-	-	-	
-	-	-	-	-	-	-	-	-	
-	-	-	-	-	-	-	-	-	
-	-	-	-	-	-	-	-	-	
-	-	-	-	-	-	-	-	-	
-	-	-	-	-	-	-	-	-	
-	-	-	-	-	-	-	-	-	
-	-	-	-	-	-	-	-	-	
-	-	-	-	-	-	-	-	-	

THIS PRINT IS
PRELIMINARY
FOR QUOTING PURPOSES ONLY
CONTACT PRODUCT ENGINEERING
BEFORE USING THIS PRINT

THIS DRAWING IS A CONTROLLED DOCUMENT.		DWN J.A.BAKER 21JUN2017	TE Connectivity	
DIMENSIONS: mm		CHK E.R.LOVE 28JUL2017		
TOLERANCES UNLESS OTHERWISE SPECIFIED:		APVD E.R.LOVE 28JUL2017	NAME FEMALE HOUSING, 1 POSITION, FAKRA	
0 PLC ±		PRODUCT SPEC	-	
1 PLC ±		108-32137	-	
2 PLC ±		APPLICATION SPEC	-	
3 PLC ±		114-32145	-	
4 PLC ±		WEIGHT	-	
ANGLES ±		FINISH	-	
MATERIAL		CUSTOMER DRAWING	-	
SIZE A1			RESTRICTED TO	
SCALE 8:1			SHEET 3 OF 3	
REV 1			REV 1	