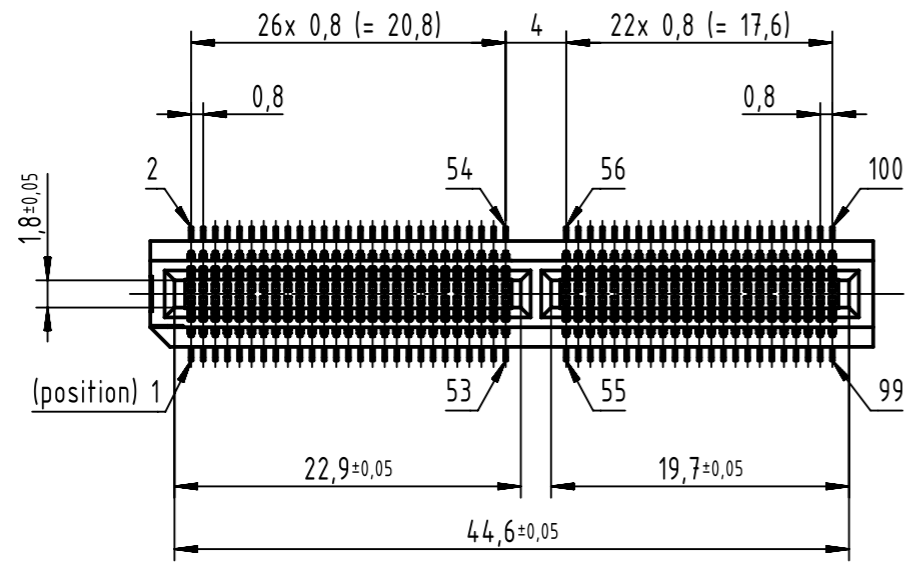
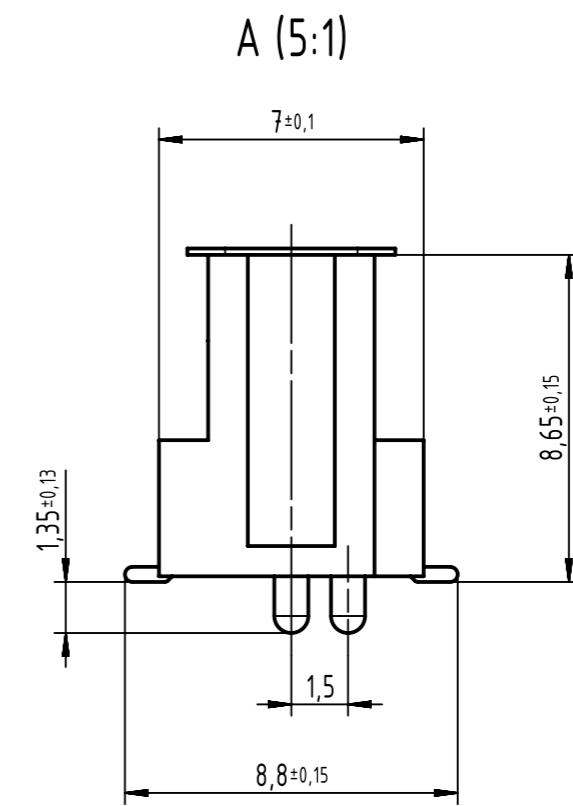
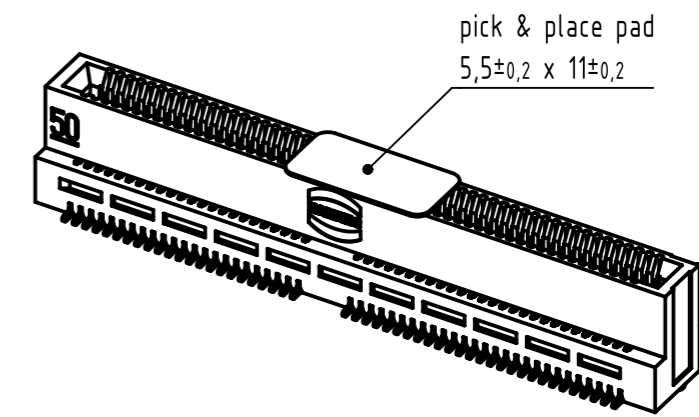
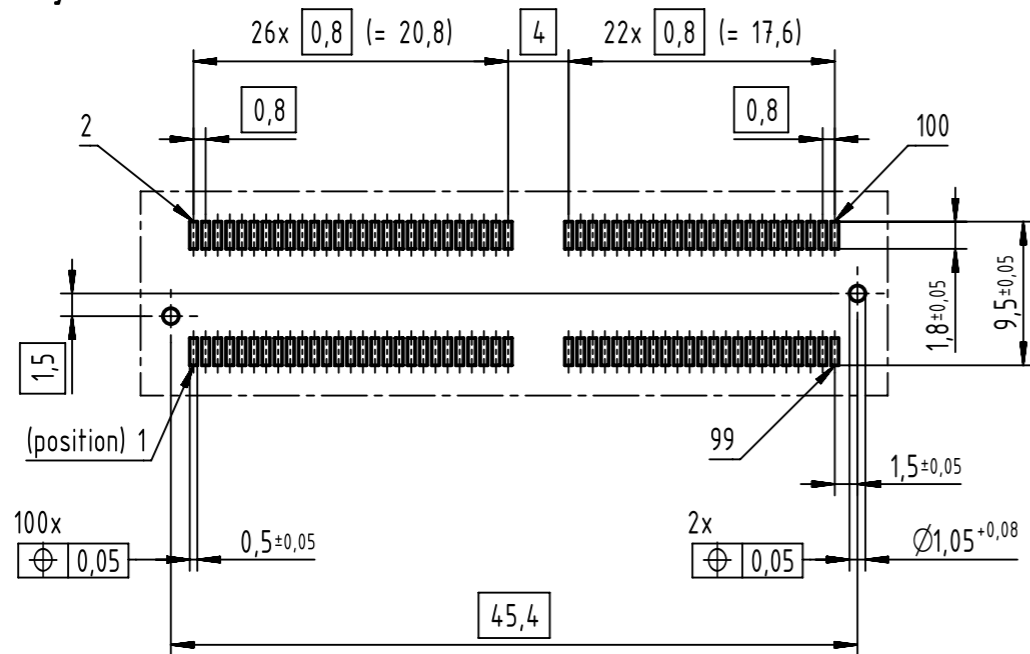


View without pick & place pad



Board layout



further information see DS 15002100301

	All Dimensions in mm Original Size DIN A3		Scale 2:1	Free size tol.		Ref.
	All rights reserved Department EC PD - DE		Created by TADJE	Inspected by ELLERMANN	Standardisation KOHLER	Date 2016-03-16
HARTING Electronics GmbH D-32339 Espelkamp		Title Micro Card Edge connector 100 poles			Doc-Key / ECM-Nr. 100191025/UGD/012/B 500000101859	
		Type TB	Number 15021004601XXX		Rev. B	Page 1/1