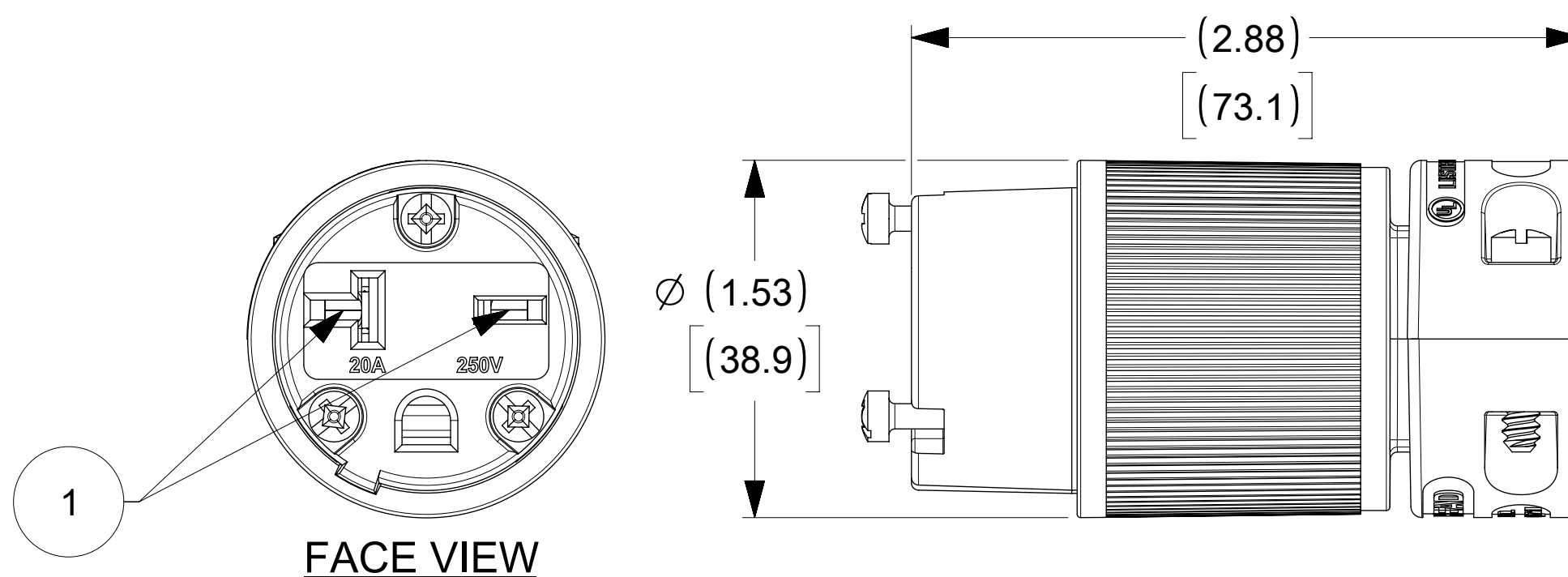
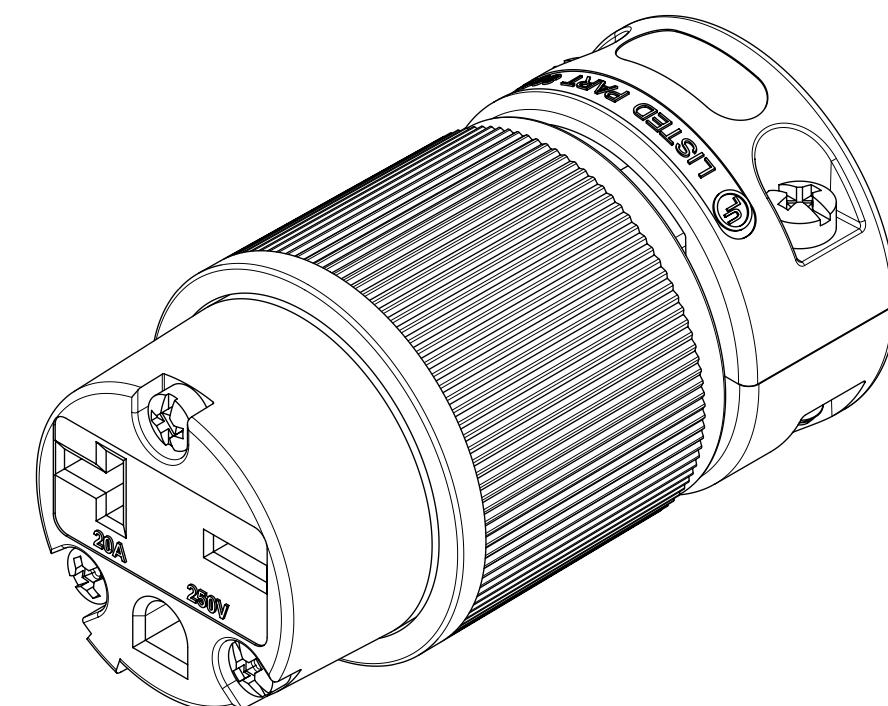
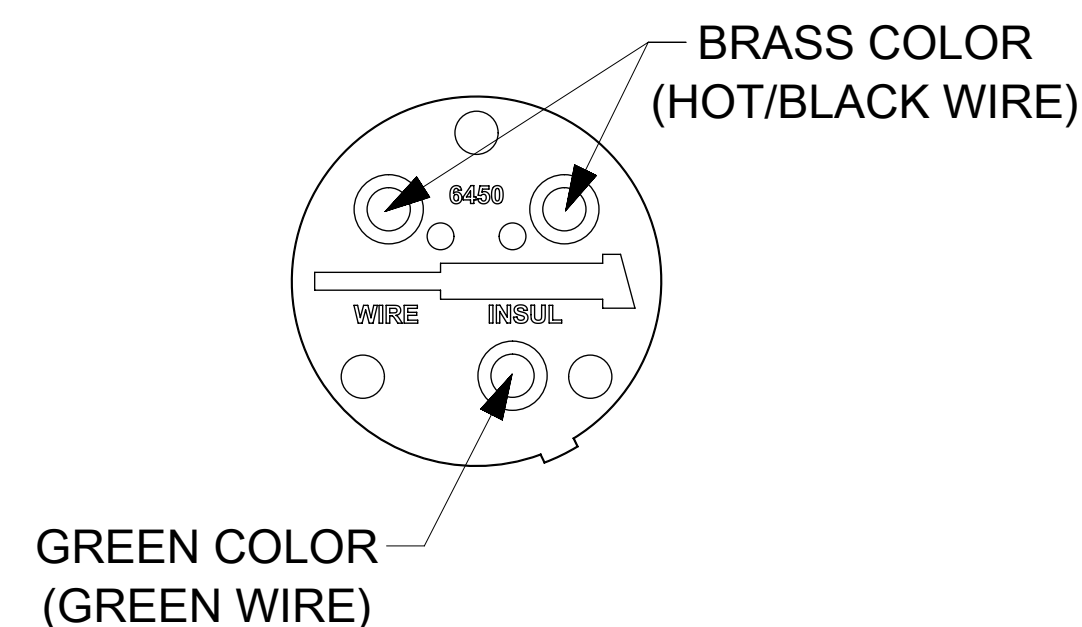


ORDER NO.	WOODHEAD NO.	COLOR
130144-0063	5469	BLACK
130144-0064	5469YL	YELLOW



**WIRING TERMINATION**



ITEM NO.	DESCRIPTIONS	MATERIAL	QTY.
1	BLADES	BRASS	3
2	RETAINING SCREWS	STAINLESS STEEL	3
3	TERMINAL SCREWS/CLAMP ASSEMBLY	BRASS, ZINC PLATED	3
4	INSERT	NYLON	1
5	TERMINAL COVER	POLYCARBONATE	1
6	HOUSING; BLACK	NYLON	1
7	CLAMP CORD MALE	NYLON	1
8	CLAMP CORD INSERT	NYLON	1
9	CLAMP CORD FEMALE	NYLON	1
10	RETAINING SCREWS	STEEL, ZINC PLATED	2

<b>SYMBOLS</b> THIS DRAWING CONTAINS INFORMATION THAT IS PROPRIETARY TO MOLEX ELECTRONIC TECHNOLOGIES, LLC AND SHOULD NOT BE USED WITHOUT WRITTEN PERMISSION DIMENSION UNITS: INCH[MM] SCALE: NTS GENERAL TOLERANCES (UNLESS SPECIFIED): 4 PLACES: ± 0.005 3 PLACES: ± 0.004 2 PLACES: ± 0.003 1 PLACE: ± 0.002 0 PLACES: ± 0.001 ANGULAR TOL: ± 0.1° DRAFT WHERE APPLICABLE MUST REMAIN WITHIN DIMENSIONS		CURRENT REV DESC: NEW RELEASE EC NO: 621092 DRWN: VBASUTHKARP 2019/01/18 CHK'D: DNGUYEN62 2019/10/30 APPR: HKNEELAND 2020/02/05 INITIAL REVISION: DRWN: VBASUTHKARP 2019/01/18 APPR: HKNEELAND 2020/02/05 THIRD ANGLE PROJECTION DRAWING SERIES: C-SIZE 130144	 SAFEWAY CONNECTOR 2P3W 6-20 PRODUCT CUSTOMER DRAWING DOCUMENT NUMBER: 1301440063 DOC TYPE: PSD DOC PART: 000 REVISION: A MATERIAL NUMBER: SEE TABLE CUSTOMER: GENERAL MARKET SHEET NUMBER: 1 OF 1
--	--	---	---