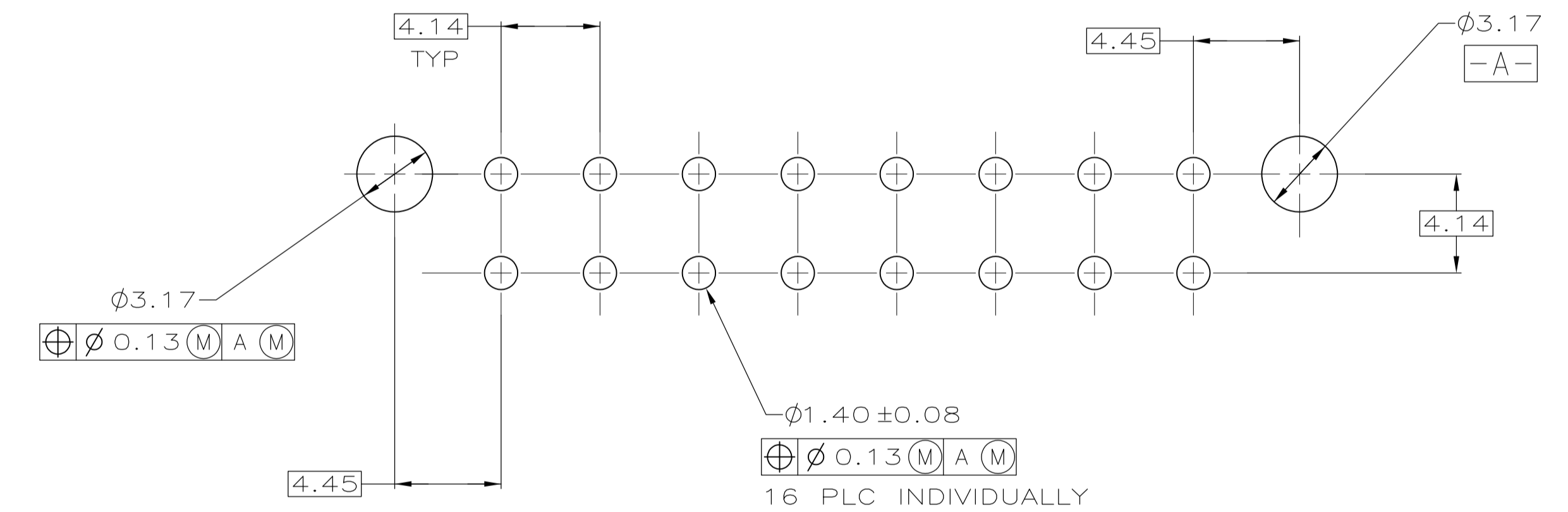
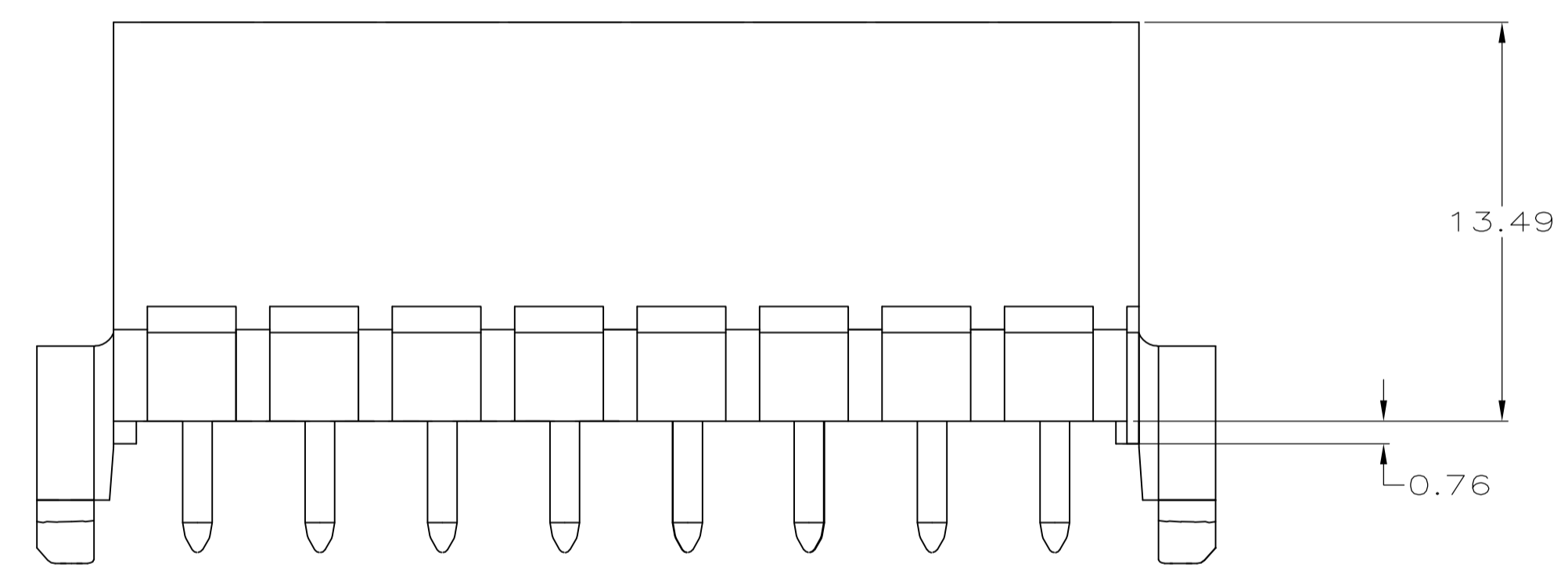
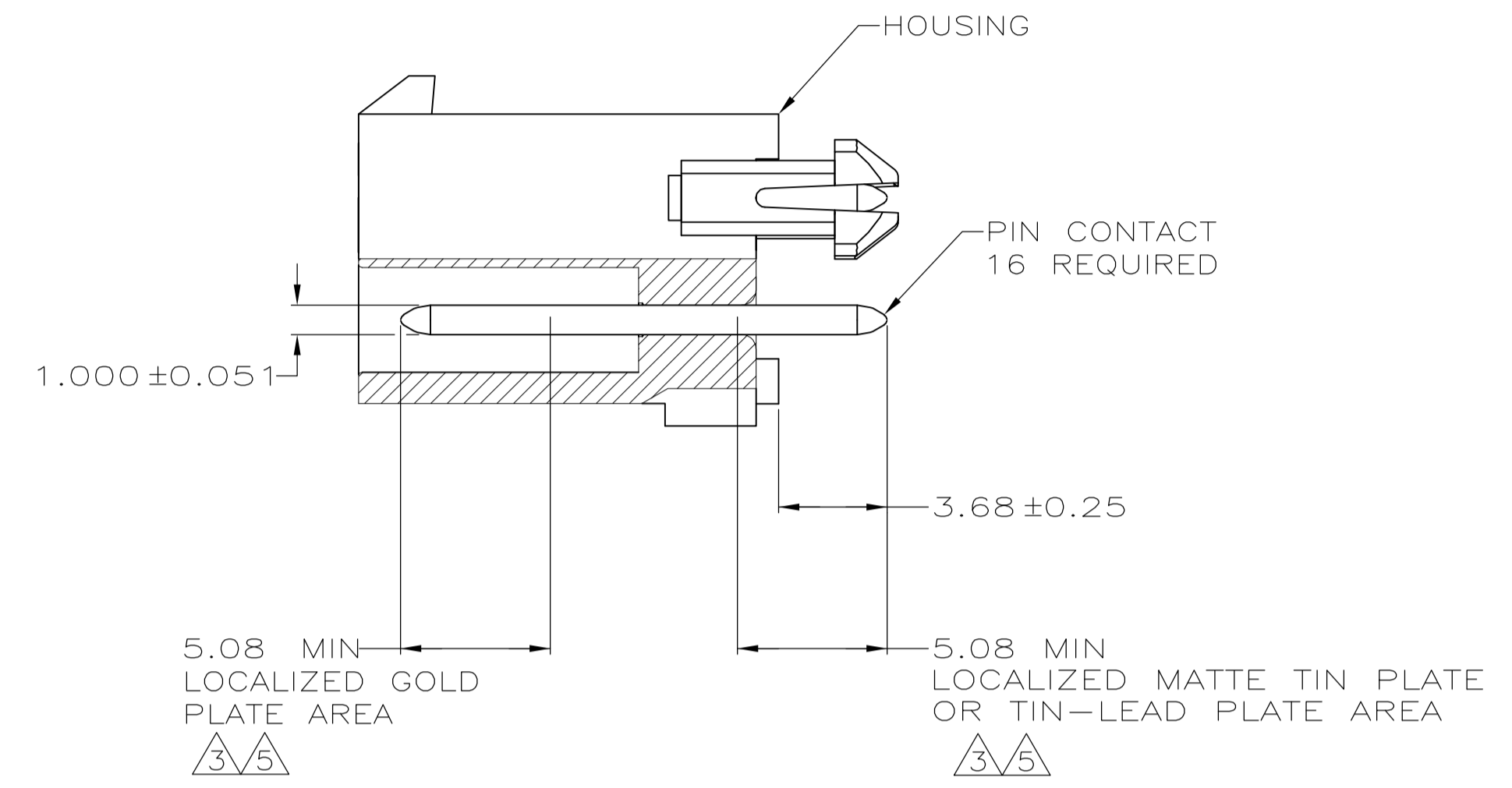
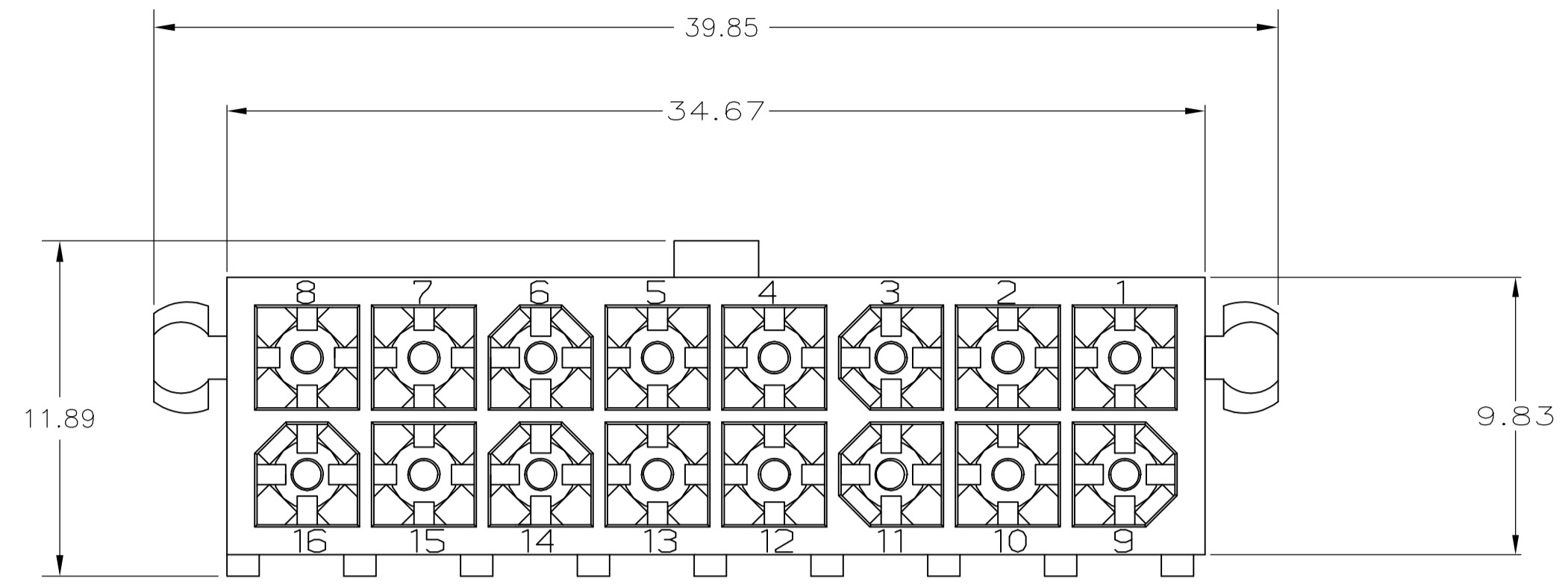
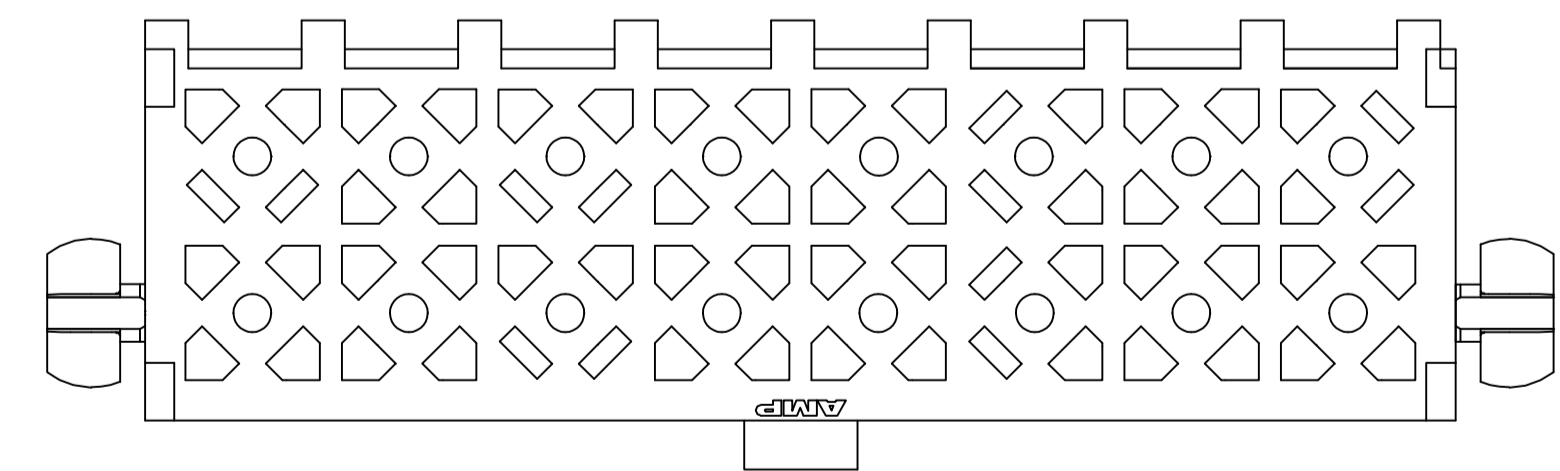


- PINS TO COMPLY WITH AMP SOLDERABILITY SPEC. 108-11-3.
- 0.00381 MIN MATTE TIN LEAD OVER 0.00127 MIN NICKEL.
- 0.00076 MIN GOLD PLATE IN THE LOCALIZED PLATE AREA, 0.00381 MATTE TIN LEAD IN THE LOCALIZED PLATE AREA, BOTH OVER 0.00127 MIN NICKEL.
- 0.00381 MIN MATTE TIN OVER 0.00127 MIN NICKEL.
- 0.00076 MIN GOLD PLATE IN THE LOCALIZED PLATE AREA, 0.00381 MATTE TIN IN THE LOCALIZED PLATE AREA, BOTH OVER 0.00127 MIN NICKEL.



RECOMMENDED MOUNTING HOLE PATTERN FOR 1.57 THICK P.C. BOARD



BRASS, GOLD	5	NYLON, UL94V-0	WHITE	1-794068-1
BRASS, TIN	4	NYLON, UL94V-0	WHITE	1-794068-0
BRASS, GOLD	3	NYLON, UL94V-0	WHITE	794068-2
BRASS, TIN-LEAD	2	NYLON, UL94V-0	WHITE	794068-1
MATERIAL	FINISH	MATERIAL	COLOR	PART NO.

THIS DRAWING IS A CONTROLLED DOCUMENT.		DIN S CARPENTER 09JUN05		STE TE Connectivity																																	
DIMENSIONS: mm		TOLERANCES UNLESS OTHERWISE SPECIFIED:		APVD R JONES 29JUL2003																																	
<table border="1"> <tr><td>0 PLC</td><td>± -</td></tr> <tr><td>1 PLC</td><td>± -</td></tr> <tr><td>2 PLC</td><td>± 0.13</td></tr> <tr><td>3 PLC</td><td>± -</td></tr> <tr><td>4 PLC</td><td>± -</td></tr> <tr><td>ANGLES</td><td>± -</td></tr> </table>		0 PLC	± -	1 PLC	± -	2 PLC	± 0.13	3 PLC	± -	4 PLC	± -	ANGLES	± -	<table border="1"> <tr><td>SIZE</td><td>CAGE CODE</td><td>DRAWING NO</td><td>RESTRICTED TO</td></tr> <tr><td>A1</td><td>00779</td><td>794068</td><td>-</td></tr> </table>		SIZE	CAGE CODE	DRAWING NO	RESTRICTED TO	A1	00779	794068	-	<table border="1"> <tr><td>APVD</td><td>R JONES</td><td>NAME</td><td>HEADER ASSEMBLY, 16 CKT, DOUBLE ROW VERTICAL, MINI UNIVERSAL MATE-N-LOK</td></tr> <tr><td>PRODUCT SPEC</td><td>-</td><td>APPLICATION SPEC</td><td>-</td></tr> <tr><td>WEIGHT</td><td>-</td><td>SCALE</td><td>5:1</td></tr> </table>		APVD	R JONES	NAME	HEADER ASSEMBLY, 16 CKT, DOUBLE ROW VERTICAL, MINI UNIVERSAL MATE-N-LOK	PRODUCT SPEC	-	APPLICATION SPEC	-	WEIGHT	-	SCALE	5:1
0 PLC	± -																																				
1 PLC	± -																																				
2 PLC	± 0.13																																				
3 PLC	± -																																				
4 PLC	± -																																				
ANGLES	± -																																				
SIZE	CAGE CODE	DRAWING NO	RESTRICTED TO																																		
A1	00779	794068	-																																		
APVD	R JONES	NAME	HEADER ASSEMBLY, 16 CKT, DOUBLE ROW VERTICAL, MINI UNIVERSAL MATE-N-LOK																																		
PRODUCT SPEC	-	APPLICATION SPEC	-																																		
WEIGHT	-	SCALE	5:1																																		
MATERIAL - FINISH -		WEIGHT -		CUSTOMER DRAWING																																	
				SHEET 1 OF 1 REV F																																	