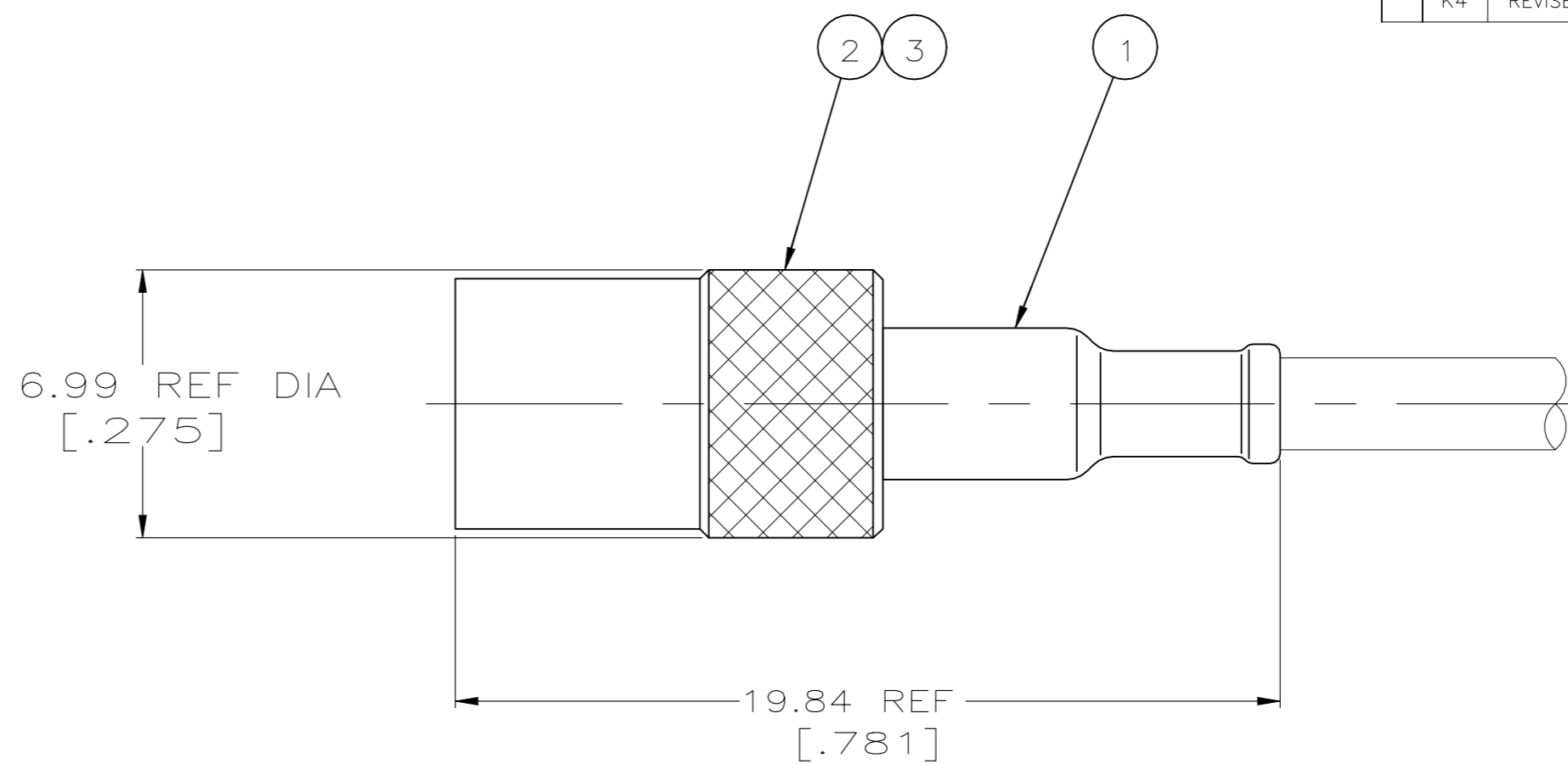
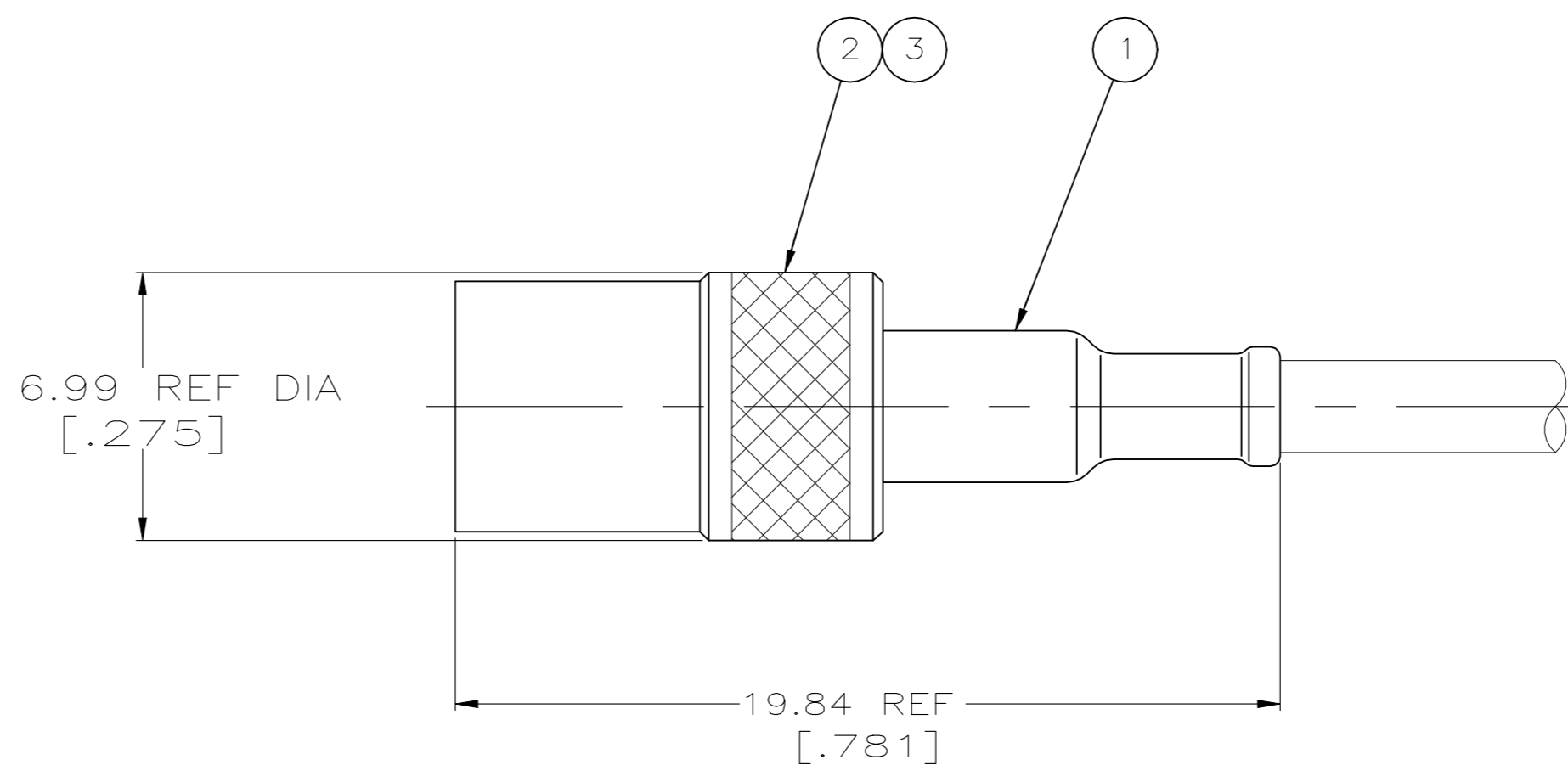


REVISIONS					
P	LTR	DESCRIPTION	DATE	DWN	APVD
K4		REVISED PER ECR-21-103739	20MAY2021	RZ	WK

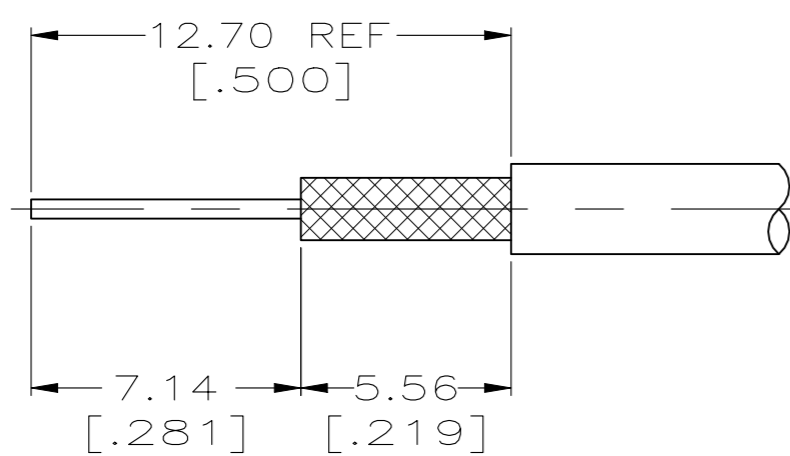
- 1. PARTS PACKAGED UNASSEMBLED
- 2. CRIMP TOOL: 69143
- 3. SEE I.S. 1771
- 4. OBSOLETE PARTS: OBSOLETE CIS STREAMLINING PER D.RENAUD/D.SINISI
- 5. RESTRICTED SALES TO PROVIBTECH



VIEW A



VIEW B



RECOMMENDED STRIP LENGTH

5	B	RG-180/U,180A/U & 195/U	330595-2	1-328695-5	3-329049-0	1-330723-3
	A	RG-180/U,180A/U & 195/U	330595-1	1-328695-3	3-329049-0	1-330723-2
4	A	RG-180/U,180A/U & 195/U	330595	1-328695-2	329049	1-330723-1
	A	RG-180/U,180A/U & 195/U	330595	328695	329049	1-330723-0
	VIEW	CABLE SIZE	3 PLUG ASSY QTY=1	2 COLLAR, RETAINING QTY=1	1 FERRULE QTY=1	PART NUMBER

THIS DRAWING IS A CONTROLLED DOCUMENT.

DWN	B.WERNER	6-20-91
CHK	G.MICHAEL	23/APR/93
APVD	G.MICHAEL	23/APR/93
PRODUCT SPEC	108-12013	
APPLICATION SPEC	-	
WEIGHT	0.000000	A2
CUSTOMER DRAWING	SCALE 5:1	SHEET 1 OF 1

TE Connectivity

PLUG, THREADED, MINIATURE SERIES

SIZE CAGE CODE DRAWING NO RESTRICTED TO

00779 C=330723 -

REV K4