

THIS DRAWING IS UNPUBLISHED. RELEASED FOR PUBLICATION  
 © COPYRIGHT - By - ALL RIGHTS RESERVED.

REVISIONS					
P	LTR	DESCRIPTION	DATE	DWN	APVD
	T5	PART STATUS UPDATED	22JAN2018	RK	PS

PHYSICAL PROPERTIES:  
 HOUSING MATERIAL: PBT  
 FLAMMABILITY: UL94V-0  
 COLOR: BLACK  
 MAX BOW/WARP: .0056 IN/IN.

MECHANICAL:  
 PITCH (TERMINAL SPACING): .563"  
 WIRE RANGE: 10-22 AWG  
 RECOMMENDED TIGHTENING TORQUE: 14IN-LBS MAX.

TERMINAL:  
 TERMINALS: BRASS, TIN PLATED. (UNLESS OTHERWISE STATED)  
 SCREWS: 8-32 STEEL, NICKEL PLATED. (UNLESS OTHERWISE STATED)  
 Q.C. TABS: BRASS, NICKEL PLATED.

ELECTRICAL PROPERTIES:  
 MAXIMUM CURRENT: 30A  
 OPERATING VOLTAGE: 300V

ENVIRONMENTAL PROPERTIES:  
 OPERATING TEMP RANGE: -40°C TO 120°C

- △ STAINLESS STEEL SCREWS.
- △ WHITE INK STAMP.
- △ NICKEL PLATED BRASS TERMINALS.
- △ NICKEL PLATED BRASS SCREWS.
- △ SEE FIGURE.
- △ PRELIMINARY PART NUMBER.
- △ OBSOLETE PART NUMBER.
- △ TE CONNECTIVITY LOGO LOCATED APPROXIMATE AREA SHOWN.

△5	-	-	-	-	-	-	-	-	-	-	7.886	8.323	13	1-1546310-3
△2/7	-	-	-	-	-	-	-	12	12	12	7.323	7.760	12	4-1546310-8
△	-	8	-	-	-	12	12	12	-	-	7.323	7.760	12	4-1546310-7
△	-	-	-	-	12	12	12	-	-	-	7.323	7.760	12	4-1546310-6
-	-	-	-	-	-	-	-	-	-	-	7.323	7.760	12	1-1546310-2
-	-	-	-	-	-	-	-	-	-	-	6.760	7.179	11	1-1546310-1
-	-	-	-	-	-	-	-	-	-	-	6.197	6.634	10	1-1546310-0
-	-	-	-	-	-	-	-	-	-	-	5.634	6.071	9	1546310-9
△4/7	-	-	-	-	-	-	-	-	-	8	5.071	5.508	8	4-1546310-5
-	-	8	8	-	-	-	-	-	-	-	5.071	5.508	8	2-1546310-9
-	-	-	-	-	-	-	-	-	-	-	5.071	5.508	8	1546310-8
△	-	-	-	-	-	7	-	-	-	-	4.508	4.945	7	3-1546310-8
-	-	-	-	-	-	-	-	-	-	-	4.508	4.945	7	1546310-7
△4/7	-	-	-	-	-	-	-	-	-	6	3.945	4.382	6	4-1546310-4
△4	-	-	-	-	-	-	-	-	-	-	3.945	4.382	6	4-1546310-3
△	-	-	-	-	-	-	-	-	-	6	3.945	4.382	6	4-1546310-2
△5/3/2/1/7	-	-	-	-	-	-	-	-	-	-	3.945	4.382	6	3-1546310-1
-	-	-	-	-	-	6	-	-	-	-	3.945	4.382	6	3-1546310-0
-	-	6	6	-	-	-	-	-	-	-	3.945	4.382	6	2-1546310-8
△5/4/3/7	-	1	1	-	-	5	1	-	-	-	3.945	4.382	6	2-1546310-6
△1/7	-	-	-	-	-	-	-	6	-	-	3.945	4.382	6	2-1546310-3
△1/7	-	-	-	-	-	6	-	-	-	-	3.945	4.382	6	2-1546310-2
△7	-	-	-	-	-	-	-	-	-	6	3.945	4.382	6	2-1546310-1
△5/2/7	-	-	-	-	-	-	-	-	6	6	3.945	4.382	6	1546636-1
△6/1	-	-	-	6	-	-	-	-	6	-	3.945	4.382	6	1-1546310-9
△1	-	-	-	6	-	-	-	-	-	-	3.945	4.382	6	1546589-1
-	-	-	-	-	-	-	-	-	-	-	3.945	4.382	6	1546310-6
-	-	-	-	-	-	5	-	-	-	-	3.382	3.819	5	3-1546310-7
△5/4/3/7	-	1	1	-	-	-	-	1	-	5	3.382	3.819	5	2-1546310-7
-	-	-	-	-	-	-	-	-	-	-	3.382	3.819	5	1546310-5
△2/6	-	-	-	-	-	-	-	-	4	4	2.819	3.256	4	5-1546310-0
△5/4/3/2/7	-	-	-	-	-	-	-	-	-	-	2.819	3.256	4	4-1546310-1
△4	-	-	-	-	-	-	-	-	-	-	2.819	3.256	4	4-1546310-0
△5/3/2/1/7	-	-	-	-	-	-	-	-	-	-	2.819	3.256	4	3-1546310-9
-	-	-	-	-	-	-	-	-	-	-	2.819	3.256	4	1546310-4
△4/3/7	-	-	-	-	-	-	-	-	-	-	2.256	2.693	3	2-1546310-5
△5/1/7	-	-	-	-	-	-	-	-	3	1	2.256	2.693	3	2-1546310-4
△6/5/1	-	-	-	1	2	-	-	-	1	-	2.256	2.693	3	2-1546310-0
-	-	-	-	-	-	-	-	-	-	-	2.256	2.693	3	1546310-3
-	-	-	-	-	-	-	-	2	-	-	1.693	2.130	2	5-1546310-1
-	-	-	-	-	-	-	-	-	-	-	1.693	2.130	2	1546310-2

NOTES (9) OTB JUMPER (8) .250 QC TAB 90° DOUBLE SIDE (7) .250 QC TAB 90°/45° DOUBLE SIDE (6) .250 QC TAB 90° DOUBLE SIDE (5) .250 QC TAB 45° DOUBLE SIDE (4) .250 QC TAB STRAIGHT DOUBLE SIDE (3) .250 QC TAB 90° SINGLE SIDE (2) .250 QC TAB 45° SINGLE SIDE (1) .250 QC TAB STRAIGHT SINGLE SIDE DIM B DIM A NO. OF POSN PART NUMBER

THIS DRAWING IS A CONTROLLED DOCUMENT.

DIMENSIONS: INCHES

TOLERANCES UNLESS OTHERWISE SPECIFIED:  
 0 PLC ± -  
 1 PLC ± -  
 2 PLC ± -  
 3 PLC ± -  
 4 PLC ± -  
 ANGLES ± -

MATERIAL FINISH WEIGHT

DWN 16FEB2007  
 CHK S SCHLEGEL 2/16/07  
 APVD S YODER 2/16/07  
 PRODUCT SPEC  
 APPLICATION SPEC

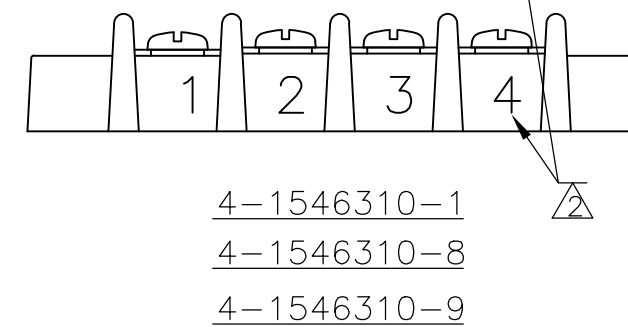
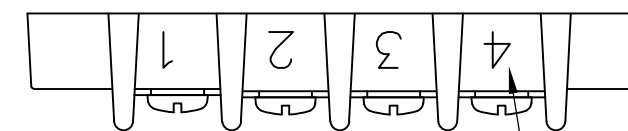
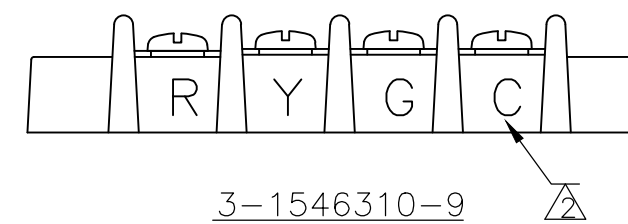
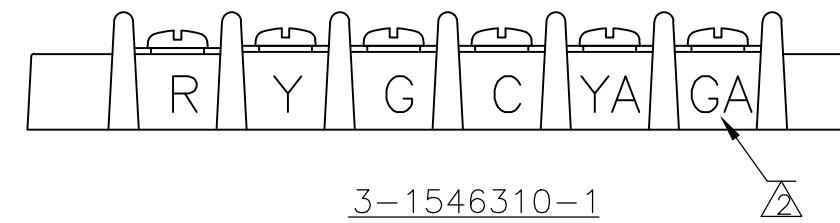
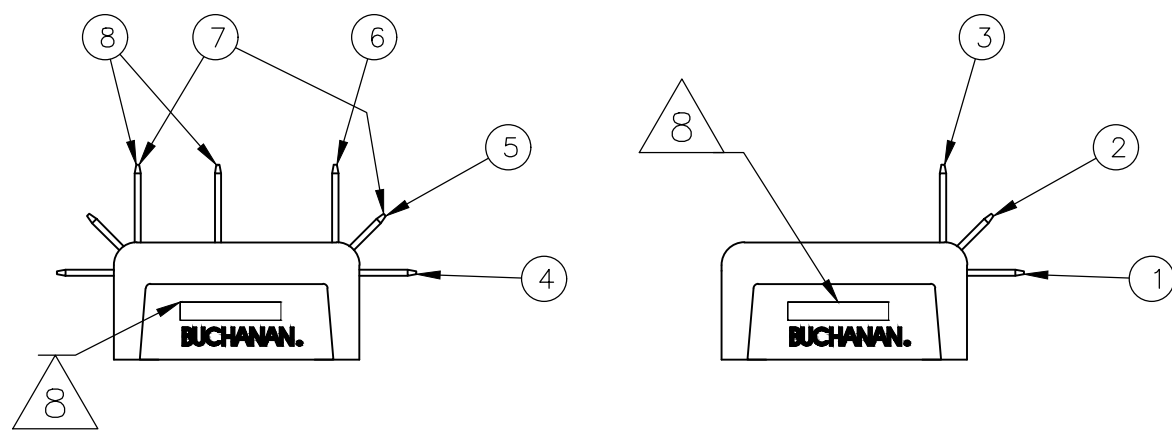
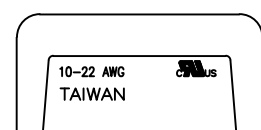
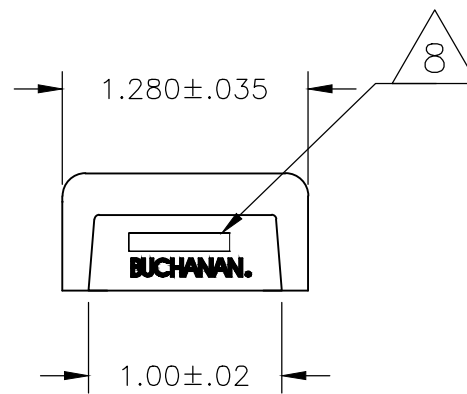
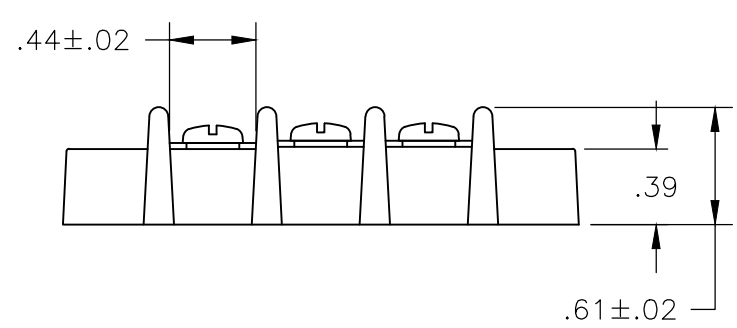
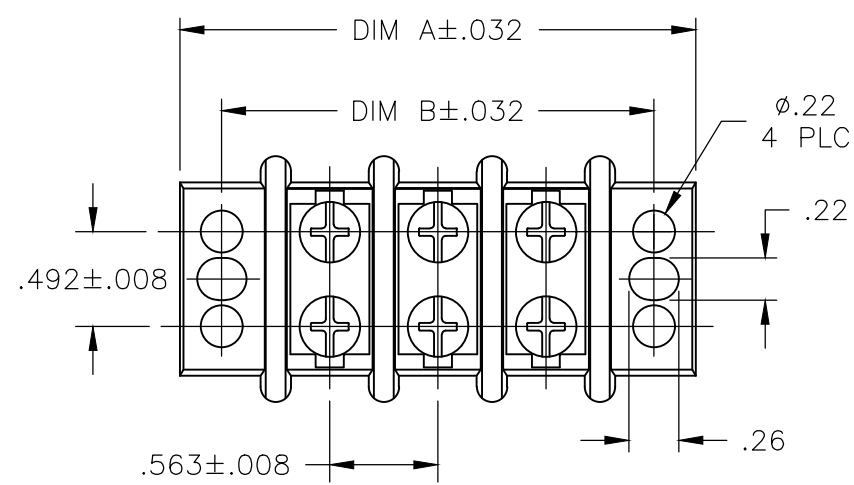
NAME 14.3 (.563) DBL ROW BARRIER STRIP W/O WASHER

SIZE A2 CAGE CODE 00779 DRAWING NO C=1546310 RESTRICTED TO -

CUSTOMER DRAWING SCALE NTS SHEET 1 OF 4 REV T5

THIS DRAWING IS UNPUBLISHED. RELEASED FOR PUBLICATION  
 © COPYRIGHT - By - ALL RIGHTS RESERVED.

REVISIONS				
P	LTR	DESCRIPTION	DATE	APVD
-	-	SEE SHEET 1	-	-



REV	DESCRIPTION	DATE	BY	CHKD	APVD	QTY	POSN	DIM B	DIM A	NO. OF POSN	PART NUMBER		
2						2		1.693	2.130		5-1546310-1		
								10.701	11.138	18	1-1546310-8		
								10.138	10.575	17	1-1546310-7		
								9.575	10.012	16	1-1546310-6		
								9.012	9.449	15	1-1546310-5		
6						14	14	8.449	8.886	14	4-1546310-9		
								8.449	8.886	14	1-1546310-4		
NOTES	9 OTB JUMPER	8 .250 QC TAB 90° DOUBLE SIDE	7 .250 QC TAB 90°/45° DOUBLE SIDE	6 .250 QC TAB 90° DOUBLE SIDE	5 .250 QC TAB 45° DOUBLE SIDE	4 .250 QC TAB STRAIGHT DOUBLE SIDE	3 .250 QC TAB 90° SINGLE SIDE	2 .250 QC TAB 45° SINGLE SIDE	1 .250 QC TAB STRAIGHT SINGLE SIDE	DIM B	DIM A	NO. OF POSN	PART NUMBER

THIS DRAWING IS A CONTROLLED DOCUMENT.

DIMENSIONS: INCHES

TOLERANCES UNLESS OTHERWISE SPECIFIED:

0 PLC	± -
1 PLC	± -
2 PLC	± -
3 PLC	± -
4 PLC	± -
ANGLES	± -

MATERIAL: - FINISH: -

APPROVALS:

DWN	S SCHLEGEL	16FEB2007
CHK	S YODER	2/16/07
APVD	S YODER	2/16/07

PRODUCT SPEC: - APPLICATION SPEC: - WEIGHT: -

CUSTOMER DRAWING

TE Connectivity Ltd.

14.3 (.563) DBL ROW BARRIER STRIP W/O WASHER

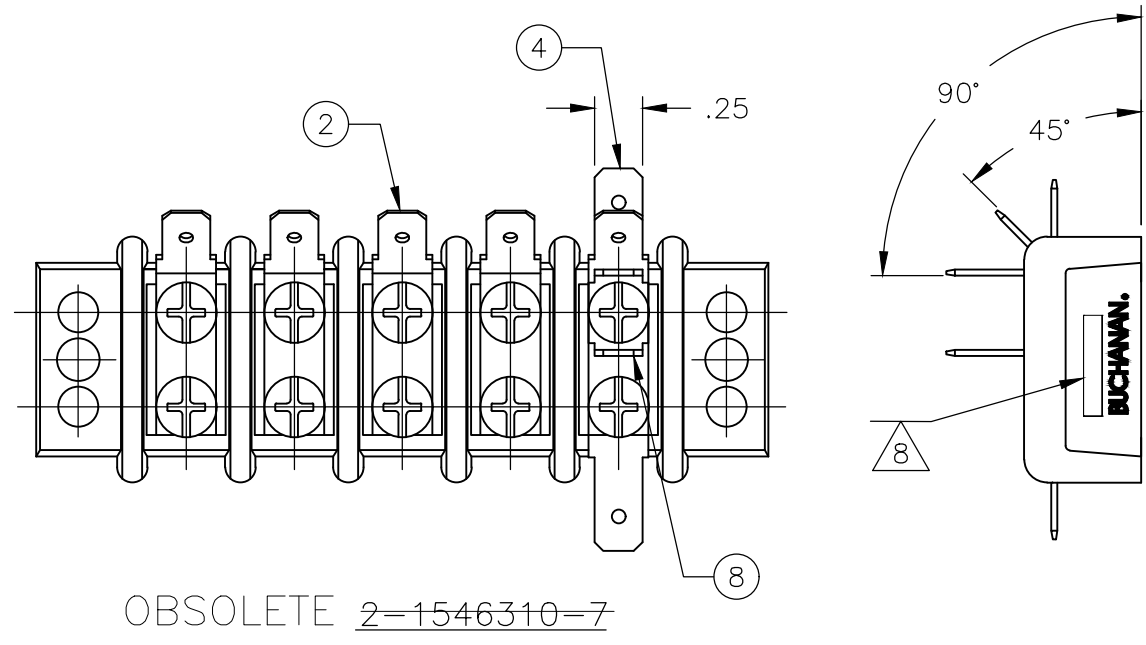
SIZE: A2 CAGE CODE: 00779 DRAWING NO: C=1546310 RESTRICTED TO: -


SCALE: NTS SHEET: 2 OF 4 REV: T5

1546310

THIS DRAWING IS UNPUBLISHED. RELEASED FOR PUBLICATION  
 © COPYRIGHT - By - ALL RIGHTS RESERVED.

REVISIONS					
P	LTR	DESCRIPTION	DATE	DWN	APVD
-	-	SEE SHEET 1	-	-	-

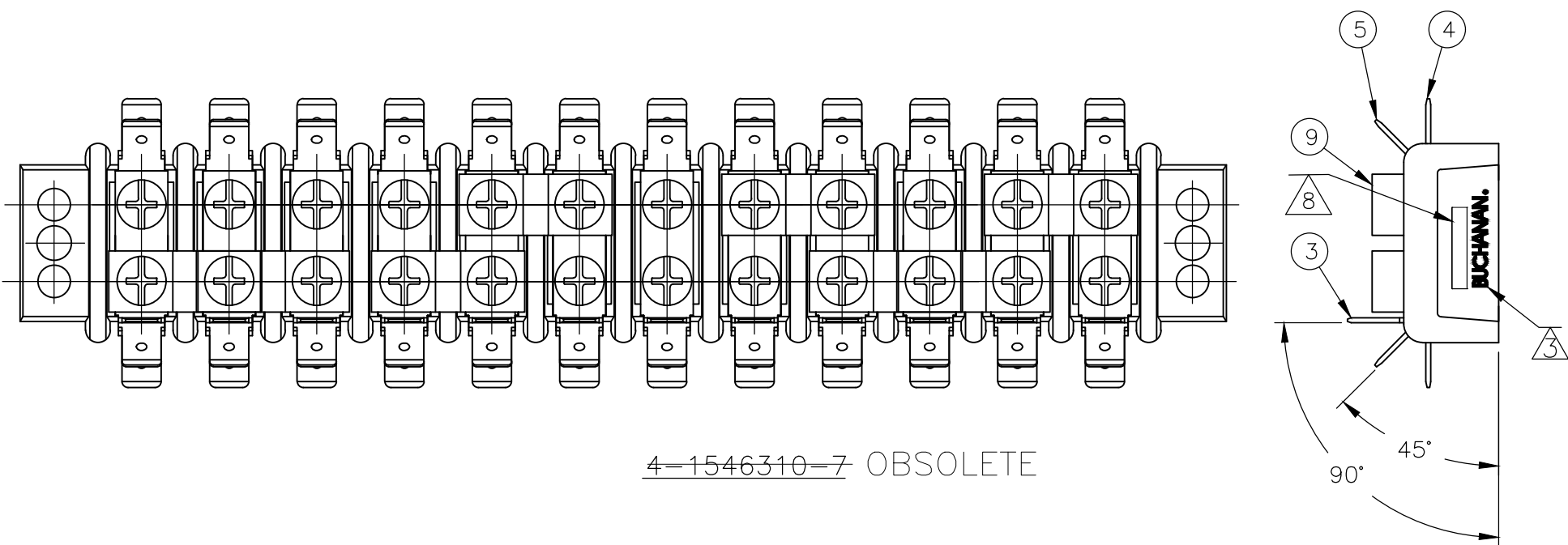


THIS DRAWING IS A CONTROLLED DOCUMENT.		DWN S SCHLEGEL 16FEB2007	 TE Connectivity Ltd.	
DIMENSIONS: INCHES		CHK S YODER 2/16/07		
TOLERANCES UNLESS OTHERWISE SPECIFIED:		APVD S YODER 2/16/07	NAME 14.3 (.563) DBL ROW BARRIER STRIP W/O WASHER	
0 PLC ± - 1 PLC ± - 2 PLC ± - 3 PLC ± - 4 PLC ± - ANGLES ± -		PRODUCT SPEC -	SIZE A2	
MATERIAL -		FINISH -	CAGE CODE 00779	DRAWING NO C=1546310
-		WEIGHT -	RESTRICTED TO -	SCALE NTS
CUSTOMER DRAWING		SHEET 3 OF 4	REV T5	

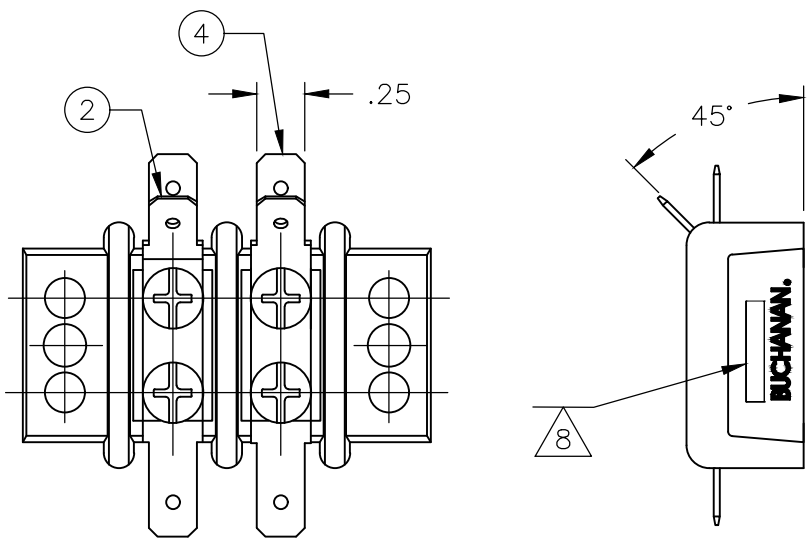
1546310

THIS DRAWING IS UNPUBLISHED. RELEASED FOR PUBLICATION  
 © COPYRIGHT - By - ALL RIGHTS RESERVED.

REVISIONS				
P	LTR	DESCRIPTION	DATE	APVD
-	-	SEE SHEET 1	-	-



4-1546310-7 OBSOLETE



5-1546310-1

THIS DRAWING IS A CONTROLLED DOCUMENT.		DWN S SCHLEGEL 16FEB2007	TE Connectivity Ltd.	
DIMENSIONS: INCHES		CHK S YODER 2/16/07		
	TOLERANCES UNLESS OTHERWISE SPECIFIED:	APVD S YODER 2/16/07	NAME 14.3 (.563) DBL ROW BARRIER STRIP W/O WASHER	
	0 PLC ± -	PRODUCT SPEC	SIZE A2	
	1 PLC ± -	APPLICATION SPEC	CAGE CODE 00779	DRAWING NO C=1546310
	2 PLC ± -	WEIGHT	RESTRICTED TO	
3 PLC ± -	MATERIAL	CUSTOMER DRAWING	SCALE NTS	SHEET 4 OF 4
4 PLC ± -	FINISH	REV T5		
ANGLES ± -				

1546310