

NOTES:

031-5881-RFXD		REVISIONS			
DRAWING NO.	REV	DESCRIPTION	DATE	ECO	APPR
THIRD ANGLE PROJ.	B	RE-DRAWN IN PRO/ENGINEER	02-02-00	43212	BCG

1. MATERIALS AND FINISHES:

- BODIES, SLEEVE, & LOCKNUT - BRASS, NICKEL PLATED
- CONTACT - PHOSPHOR BRONZE, GOLD PLATED
- LOCKWASHER - PHOSPHOR BRONZE, NICKEL PLATED
- CRIMP FERRULE - ANNEALED COPPER, NICKEL PLATED
- FRONT & REAR INSULATORS - PTFE
- ISOLATION SLEEVE - DELRIN

2. ELECTRICAL: (FREQUENCY RANGE = DC TO 3.0 GHz)

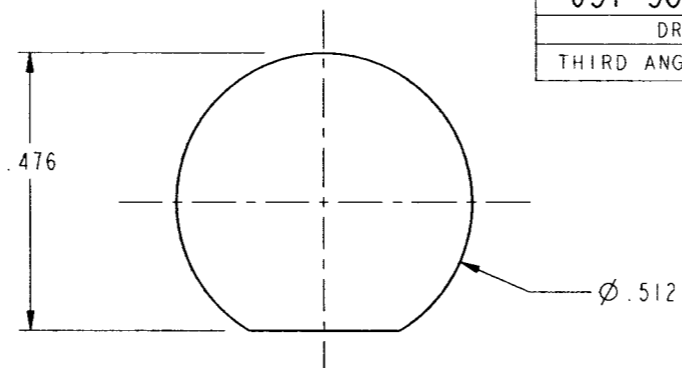
- V.S.W.R. (RETURN LOSS) = 1.300 MAX. (-17.7 dB)
- INSERTION LOSS = 0.35 dB MAX. (MATED PAIR)

3. CONTINUOUS OPERATING TEMPERATURE: -40°F TO +185°F (-40°C TO +85°C)

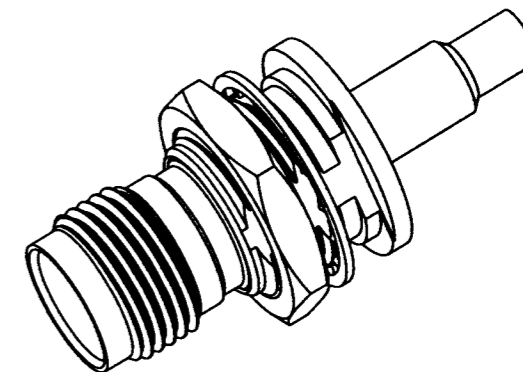
4. MAXIMUM PANEL THICKNESS: .175 (4.45mm)

5. INTERFACE MEETS THE REQUIREMENTS OF MIL-STD-348, TNC SERIES

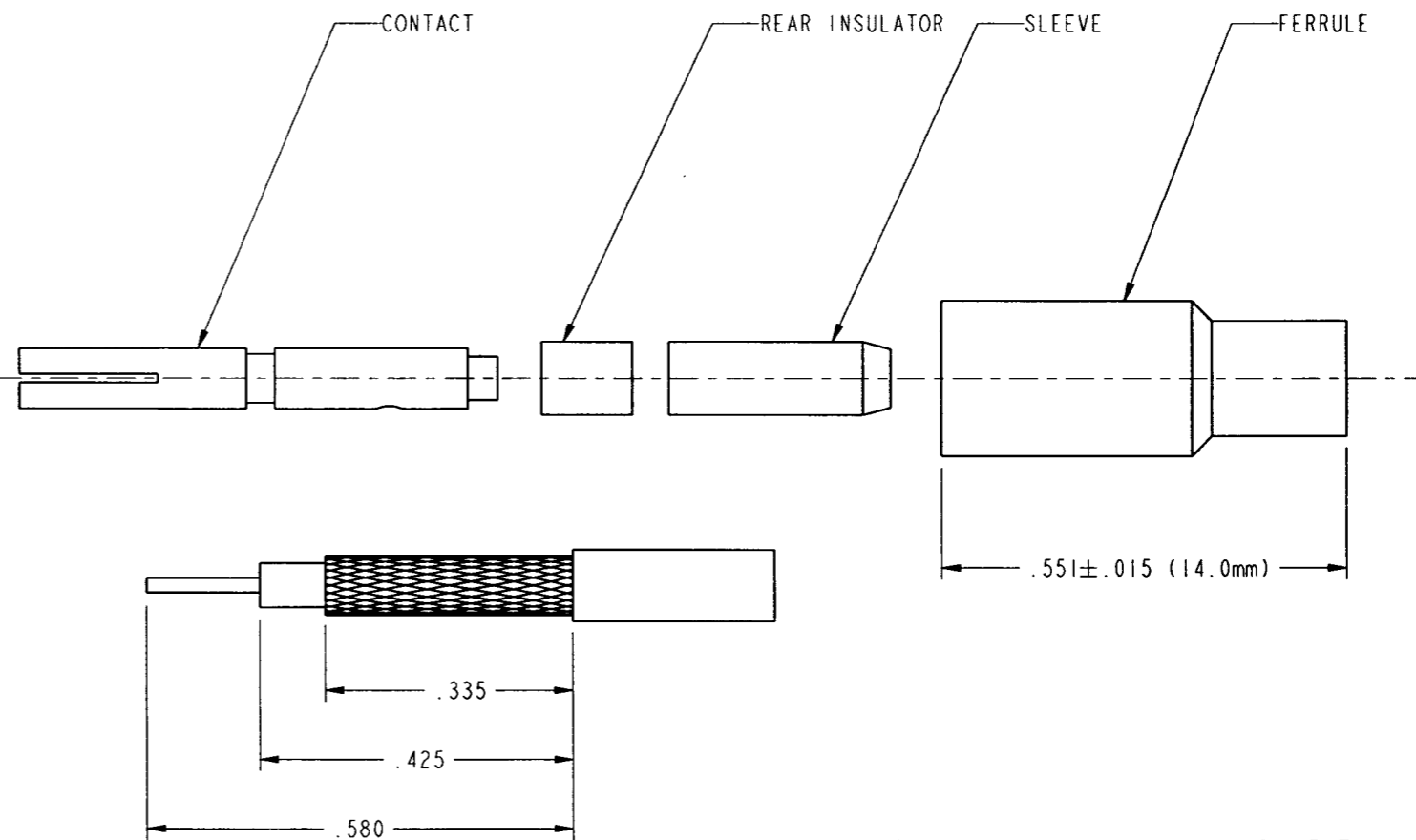
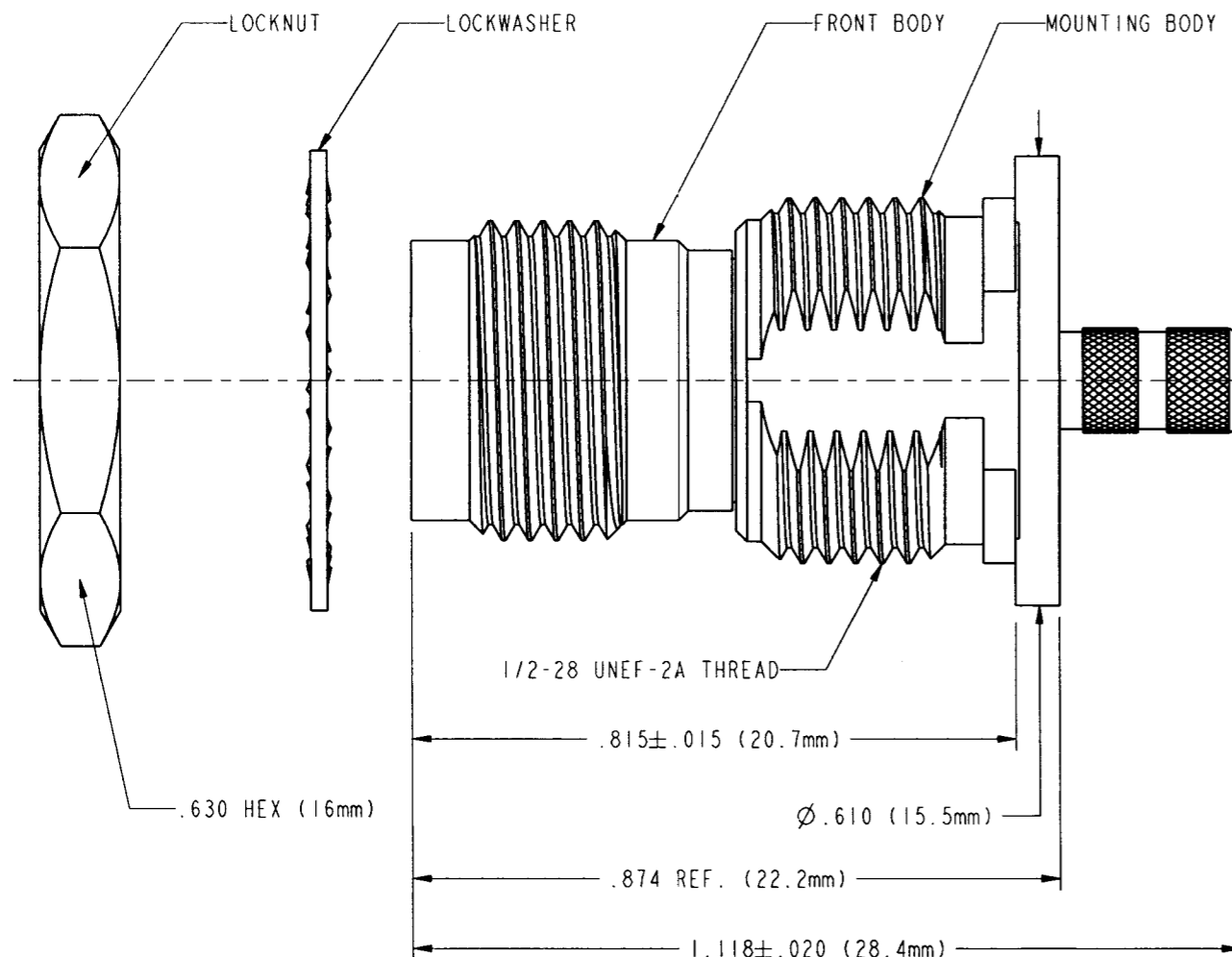
6. CRIMP FERRULE USING .178 HEX DIE, CRIMP CONTACT (OPTIONAL) USING .068 HEX DIE



RECOMMENDED MOUNTING HOLE



SCALE 2.000



RECOMMENDED CABLE STRIPPING DIMENSIONS

CUSTOMER OUTLINE DRAWING FOR REFERENCE ONLY

UNLESS OTHERWISE SPECIFIED, DIMENSIONS ARE IN INCHES AND TOLERANCES ARE: 2 PLACE DECIMAL ±.015 (0.381 mm) 3 PLACE DECIMAL ±.005 (0.127 mm) ANGLES ± 1°	MATERIAL	DRAWN B.C. GLEISSNER	DATE 10-Dec-99	TITLE TNC JACK, BULKHEAD, ISOLATED GROUND, FOR RG-174, 188, 316		Amphenol Amphenol Corporation Communication and Network Products Division Danbury, CT U.S.A. 06810	
	REFERENCE EAR 967434-0 GEN# ASSYF17_TNC	ENGINEER B.C. GLEISSNER	DATE 10-Dec-99				
NOTICE - These drawings, specifications, or other data (1) are, and remain the property of Amphenol Corp. (2) must be returned upon request; and (3) are confidential and not to be disclosed to any person other than those to whom they are given by Amphenol Corp. The furnishing of these drawings, specifications, or other data by Amphenol Corp., or to any other person to anyone for any purpose is not to be regarded by implication or otherwise in any manner licensing, granting rights or permitting such holder or any other person to manufacture, use or sell any product, process or design, patented or otherwise, that may in any way be related to or disclosed by said drawings, specifications, or other data.		APPROVED <i>[Signature]</i>	DATE 2/1/00	CODE ID 74868	DWG SIZE B	DRAWING NO. 031-5881-RFXD	REV B
							SCALE: 4.0:1 SHEET 1 OF 2