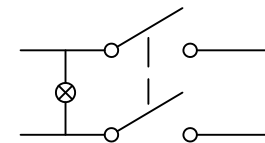
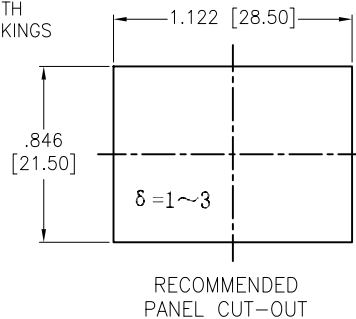
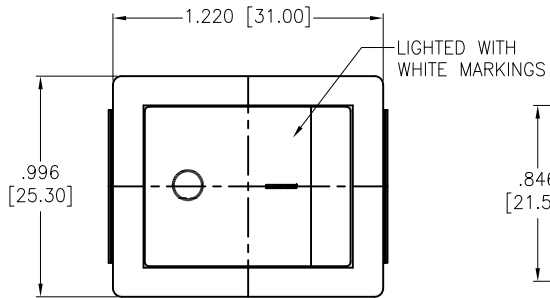
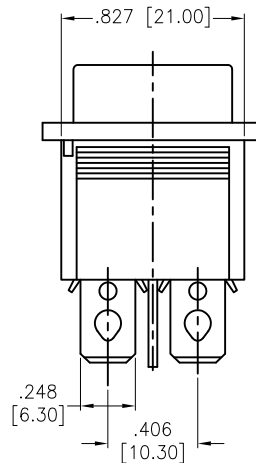
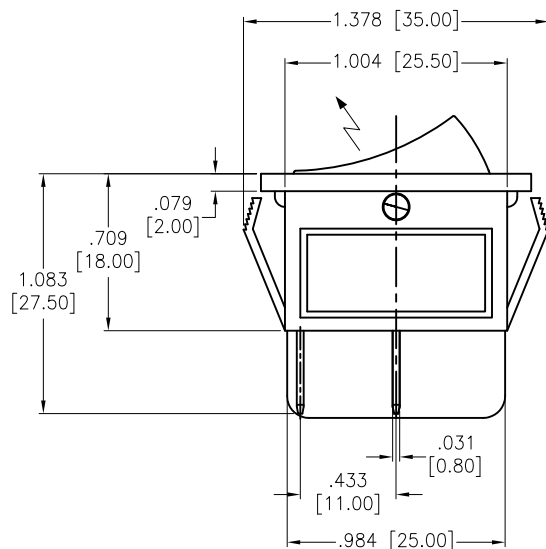


APPROVED: \_\_\_\_\_  
 DATE: \_\_\_\_\_ TITLE: \_\_\_\_\_

Rev	AWO #	Description	Date	Appr
-		RELEASED	11/18/21	



CIRCUIT DIAGRAM  
(DPST) ON-OFF



SW-R1-3A-E-LXXX-0

Lighted Actuator		Actuator Markings		LED Voltage	
W	Lighted White	1		1	3V
R	Lighted Red	2		2	6V
G	Lighted Green	3		3	12V
Y	Lighted Yellow (Amber)	4		4	24V
B	Lighted Blue	5		5	48V
O	Lighted Orange	6		6	110V
		7		7	220V

**SPECIFICATIONS:**

**Material:**  
 Body: Nylon 66, Color Black, Rated UL 94V-0  
 Terminal: Brass, Silver plated  
 Button: Nylon 66, Lighted color (See Chart). White color markings

**Electrical:**  
 The rated load: 250V AC, 16A  
 125V AC, 20A  
 Contact resistance: 50 mohms max  
 Insulation resistance: 100 Mohms min  
 Dielectric withstanding voltage: 1500 VAC/5S min

**Mechanical:**  
 Electrical life: 10000 Cycles min  
 Temperature Rating:  
 Operating temperature: -25°C to +85°C

**Environmental:**  
 Lead free, RoHS compliant



Replace "x" in P/N with the corresponding switch color and marking

UNLESS OTHERWISE SPECIFIED ALL DIMENSIONS ARE INCHES [MM]. TOLERANCES: EXCEPT AS NOTED

INCHES		HOLES	
.X	± .10	ØX	± .10
.XX	± .020	ØXX	± .015
.XXX	± .015	ØXXX	± .010



909 Rahway Avenue,  
 Union, NJ 07083  
 Phone: 908-687-5000  
 Fax: 908-687-5710

DRAWN	WX	11/18/21
CHECKED	RC	11/18/21
APPROVED		

TITLE SWITCH, MEDIUM ROCKER  
 DPST, ON-OFF, QC .250 [6.35MM], LIGHTED

THIS DRAWING CONTAINS INFORMATION THAT IS PROPRIETARY AND SHOULD NOT BE USED WITHOUT PRIOR WRITTEN PERMISSION FROM ADAM TECH

SIZE X	PART NO. SW-R1-3A-E-LXXX-0	REV. -
REF: S00206C	SCALE: NTS	SHEET 1 OF 1