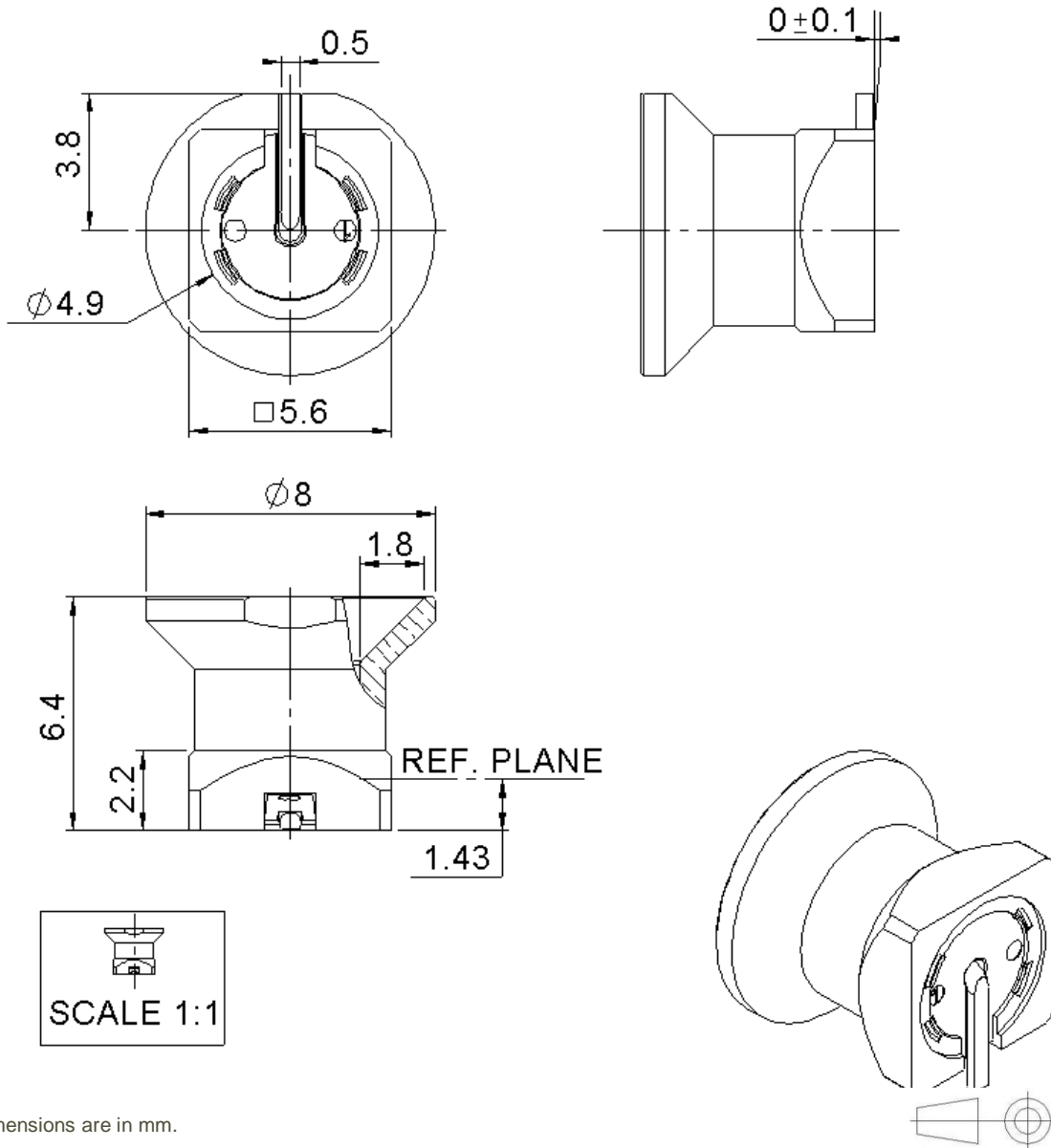


PAGE 1/5	ISSUE 09-11-16C	SERIES SMP-MAX	PART NUMBER R222M00700
----------	-----------------	----------------	------------------------



All dimensions are in mm.

COMPONENTS	MATERIALS	PLATING (µm)
Body	BRASS	NPGR
Center contact	BRASS	NPGR
Outer contact	-	-
Insulator	PEEK / LCP / PTFE	-
Gasket	-	-
Others parts	-	-
-	-	-
-	-	-

PAGE 2/5	ISSUE 09-11-16C	SERIES SMP-MAX	PART NUMBER R222M00700
-----------------	------------------------	-----------------------	-------------------------------

PACKAGING

Standard	Unit	Other
500	Contact us	Contact us

ELECTRICAL CHARACTERISTICS

Impedance **50** Ω
 Frequency **0 - 10** GHz
 VSWR (max.) / Return Loss (max.)

DC - 4 GHz	4 – 6 GHz
1.07 / -30dB	1.12 / -25dB

Insertion loss **< 0.03*** √F(GHz) dB
 RF leakage - (**NA** - F(GHz)) dB Maxi
 Voltage rating **335** Veff Maxi
 Dielectric withstanding voltage **500** Veff mini
 Insulation resistance **1000** MΩ mini

MECHANICAL CHARACTERISTICS

Center contact retention
 Axial force – Mating End **7** N mini
 Axial force – Opposite end **7** N mini
 Torque **NA** N.cm mini
 Pull-in-range **0.0000** mm

Recommended torque
 Mating **NA** N.cm
 Panel nut **NA** N.cm

Mating life **100** Cycles mini
 Weight **0.8360** g

ENVIRONMENTAL

Operating temperature **-55/+165** °C
 Hermetic seal **NA** Atm.cm3/s
 Panel leakage **NA**

SPECIFICATION

OTHER CHARACTERISTICS

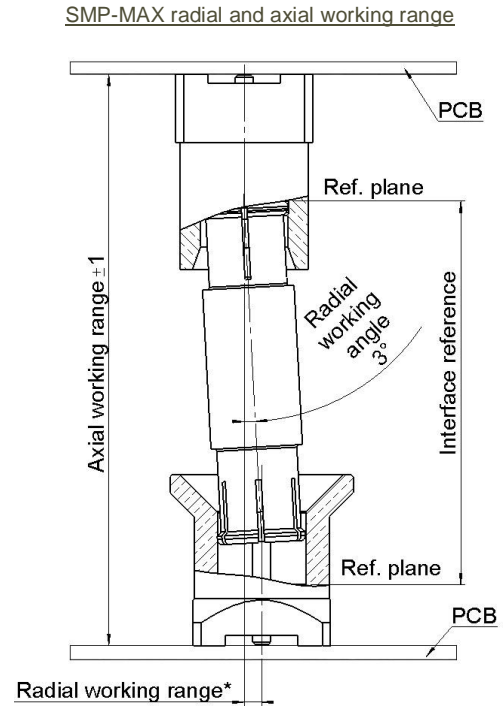
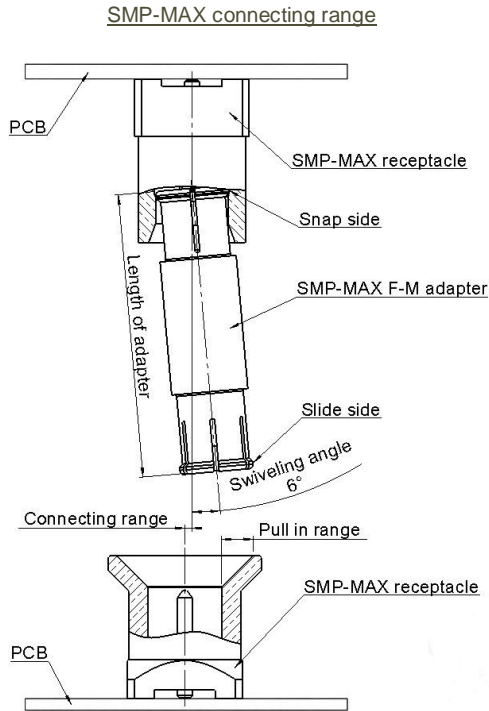
Assembly instruction: **NA**

Others:

*Coaxial Transmission Line Only

PAGE 3/5	ISSUE 09-11-16C	SERIES SMP-MAX	PART NUMBER R222M00700
----------	-----------------	----------------	------------------------

GENERAL DATA OF SMP-MAX SERIE



The connecting range represents the maximum misalignment during connection.

The swiveling angle is the maximum possible angle of the adapter in a snap receptacle.

A blind assembly is guaranteed if radial misalignment is smaller than connecting range. Otherwise a manual lead-in is necessary.

Electrical performance is achieved when radial and axial misalignments are within their working ranges.

Radial working range = (length of the adapter) x Sinus(radial working angle).

Typical RF performances for a set:
slide receptacle + adapter + snap receptacle (receptacles soldered on boards):

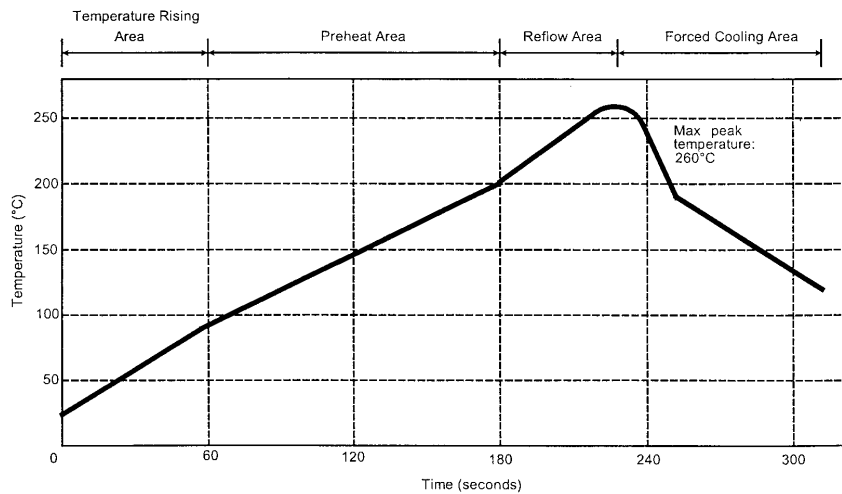
V.S.W.R / Return loss	Misalignment	DC - 3 GHz	3 - 6 GHz
	Radial 0° , Axial 0mm	<1.15/-23.9 dB	<1.25/-19.10 dB
Radial 0° , Axial +/-1mm	<1.20/-20.8 dB	<1.35/-16.5 dB	
Radial 3° , Axial 0mm	<1.15/-23.1 dB	<1.25/-19.1 dB	
Radial 3° , Axial +/-1mm	<1.20/-20.8 dB	<1.35/-16.5 dB	
Insertion loss	Misalignment	DC - 3 GHz	3 - 6 GHz
	Radial 0° , Axial 0mm	<0.10 dB	<0.15 dB
	Radial 0° , Axial +/-1mm	<0.12 dB	<0.25 dB
	Radial 3° , Axial 0mm	<0.10 dB	<0.15 dB
	Radial 3° , Axial +/-1mm	<0.12 dB	<0.25 dB
handling power	>300W @2.7GHz at 25°C; >200W @2.7GHz at 85°C		

PAGE 4/5	ISSUE 09-11-16C	SERIES SMP-MAX	PART NUMBER R222M00700
----------	-----------------	----------------	------------------------

SOLDER PROCEDURE

1. Deposit solder paste 'SnAg4Cu0.5' on mounting zone by screen printing application. We recommend a low residue flux. We advise a thickness of 150 micromm (5.850 microinch). Verify that the edges of the zone are clean.
2. Placement of the receptacle on the mounting zone with an automatic machine of 'pick and place' type. A video camera is recommended for positioning of the component. Adhesive agents must not be used on the receptacle.
3. This process of soldering has been tested with convection oven .Below please find, the typical profile to use.
4. The cleaning of printed circuit boards is not obliged.
5. Verification of solder joints and position of the component by visual inspection

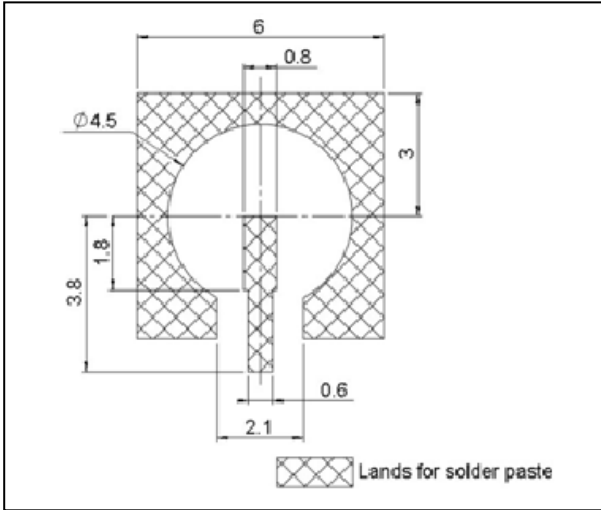
TEMPERATURE PROFILE



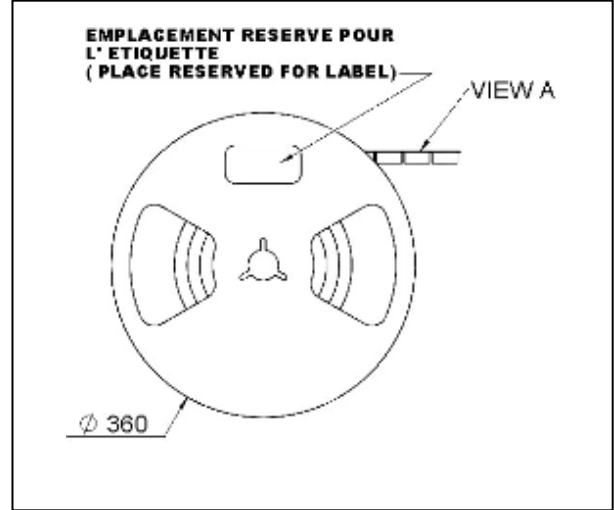
Parameter	Value	Unit
Temperature rising Area	1 - 4	°C/sec
Max Peak Temperature	260	°C
Max dwell time @260°C	10	sec
Min dwell time @235°C	20	sec
Max dwell time @235°C	60	sec
Temperature drop in cooling Area	-1 to - 4	°C/sec
Max dwell time above 100°C	420	sec

PAGE 5/5	ISSUE 09-11-16C	SERIES SMP-MAX	PART NUMBER R222M00700
----------	-----------------	----------------	------------------------

PCB



PACKAGE



NOTE: Due to the potential large variation of performances depending on PCB and line parameters, we recommend the user to process a RF analyze of the connector mounted on his PCB.

SHADOW OF RECEPTACLE FOR VIDEO CAMERA

