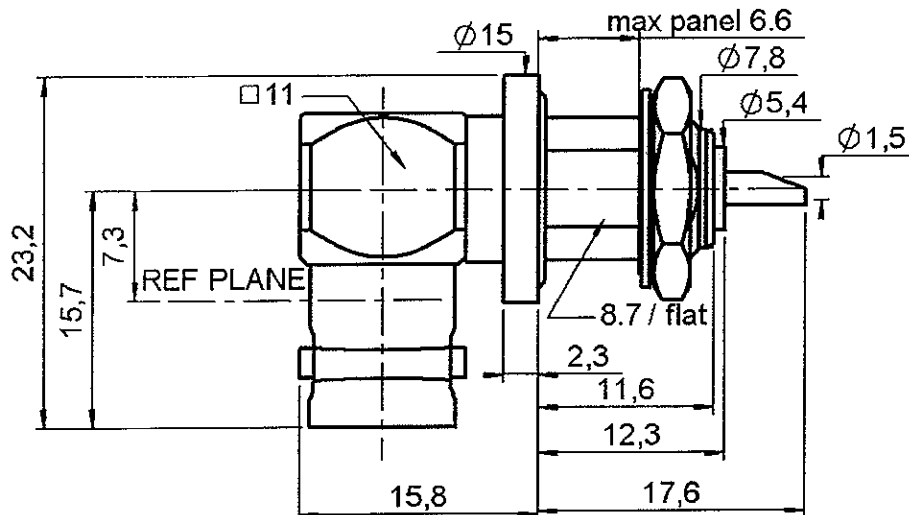


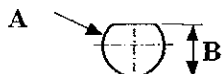
RIGHT ANGLE BULKHEAD JACK RECEPTACLE
FRONT MOUNT-PANEL SEAL-SOLDER POT CONT.

R141.680.000

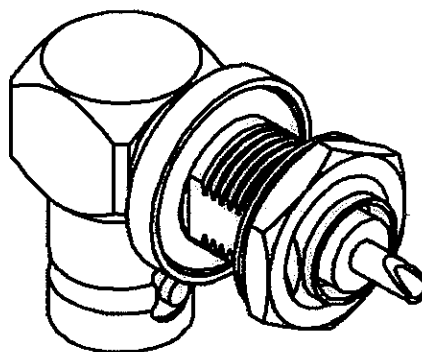
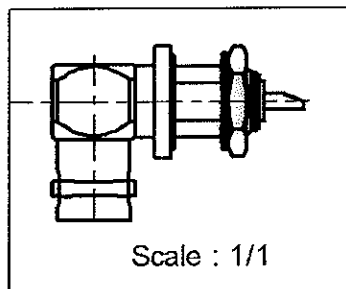
Series : BNC



PANEL CUT OUT



mm		
	Maxi	mini
A	9.8	9.7
B	4.03	3.96



All dimensions are in mm.

COMPONENTS	MATERIALS	PLATING
BODY	BRASS	NICKEL 2 µm
CENTRE CONTACT	BERYLLIUM COPPER, BRASS	GOLD 0.5 OVER NICKEL 2 µm
OUTER CONTACT	-	- µm
INSULATOR	PTFE	
GASKET	SILICONE RUBBER	
OTHERS PARTS	BRASS	- µm
-	-	-
-	-	-



Edition : 9913 W

Design changes may be in order to improve the product.

RIGHT ANGLE BULKHEAD JACK RECEPTACLE
FRONT MOUNT-PANEL SEAL-SOLDER POT CONT.

R141.680.000

Series : BNC

ELECTRICAL CHARACTERISTICS

Impedance		50 Ω
Frequency		0-4 GHz
VSWR	1.06* +	0.006 x F(GHz) Maxi
Insertion loss		.025* √F(GHz) dB Maxi
RF leakage	- (57 - F(GHz)) dB mini
Voltage rating		500 Veff Maxi
Dielectric withstanding voltage		1500 Veff mini
Insulation resistance		5000 MΩ mini

SPECIFICATION

ENVIRONMENTAL

Operating temperature	-65/+165 °C
Hermetic seal	NA Atm.cm3/s
Leakage – pressurised only	NA Mpa

MECHANICAL CHARACTERISTICS

Centre contact retention	
Axial force – Mating end	18 N mini
Axial force – Opposite end	18 N mini
Torque	2.8 N.cm mini

Recommended torque	
Mating	NA N.cm
Panel nut	250 N.cm

Mating life	500 Cycles mini
Weight	20.000 g

OTHERS CHARACTERISTICS

Assembly instruction NA

Others :
 * Coaxial Transmission Line Only

