

6

5


4

3

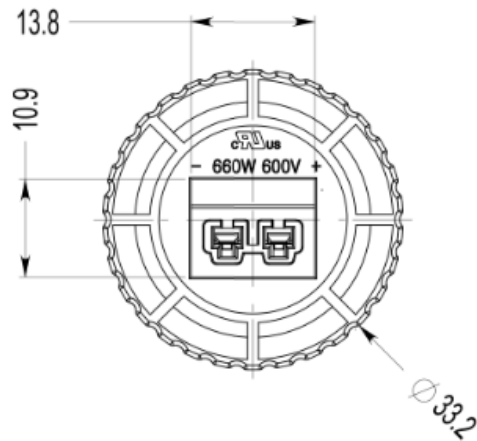
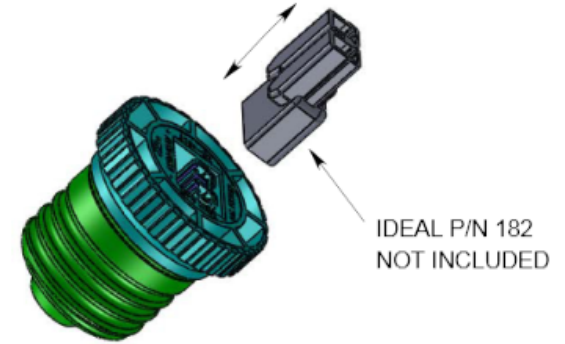
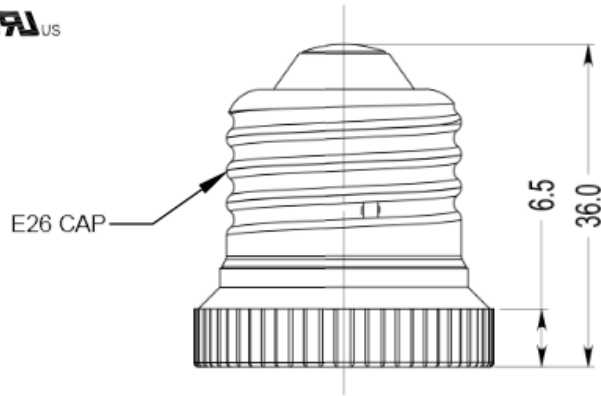
2

1

Insulator: PBT
 Screw shell: Aluminum, Nickel plated
 Rating: 660W / 600V

Safety Approval: 

RoHS
 COMPLIANT



REVISIONS	CHNG	CHK	APPR
	CHANGE		
REV	DATE		

TOLERANCE UNLESS OTHERWISE SPECIFIED	
X	± 1
X.X	± 0.4
X.XX	± 0.13
DRAWN BY	PB
CHECK BY	
APPR BY	
DATE:	5/22/18
DATE:	
DATE:	

Power Dynamics, Inc.	
Phone: 973 560-0019 Whippany, New Jersey Fax: 973 560-0078	
PART: LIGHTING RETROFIT SOCKET ADAPTER E26 SOCKET SIZE TO IDEAL P/N 182 DISCONNECT	
PART #:	PD-ZE-406T-2
SIZE:	A
SCALE:	NTS
ALL DIMENSIONS FOR REFERENCE ONLY DIMENSIONS ARE IN MILLIMETERS	
SHEET	1 of 1
REV:	

6

5

4

3

2

1