



Specifications

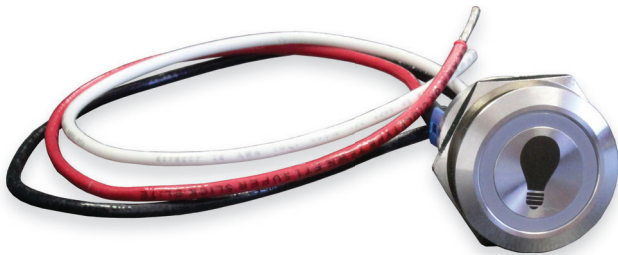
Electrical Ratings	1A @ 24VDC	Actuation Force	200 ±50gF	
	1A @ 125VAC		Actuation Travel	2.5 ± .3mm
	0.5A @ 250VAC		Dielectric Strength	1000Vrms min contact to contact 1500Vrms min contact to LED
Sealing Degree	IP40 or IP67	Insulation Resistance	≥ 100MΩ min	
Electrical Life	30,000 cycles typical	Operating Temperature	-25°C to 70°C	
Contact Resistance	≤ 50mΩ initial	Storage Temperature	-25°C to 70°C	

Materials

Actuator & Body	Brass, Nickel Plated, Stainless Steel, Black Anodized Aluminum
LED Lens	Polycarbonate (PC)
Nut	Nickel Plated Brass
Terminal Support	Polybutylene Terephthalate (PBT)
Inner Switch Body	Polycarbonate (PC)
Contacts	Silver Alloy
Terminals	Tin Plated Brass

Custom Capabilities Contact Factory

Cable Assemblies



Shine Through Symbols



Custom Laser Etching



Custom Plastic Convex Actuators

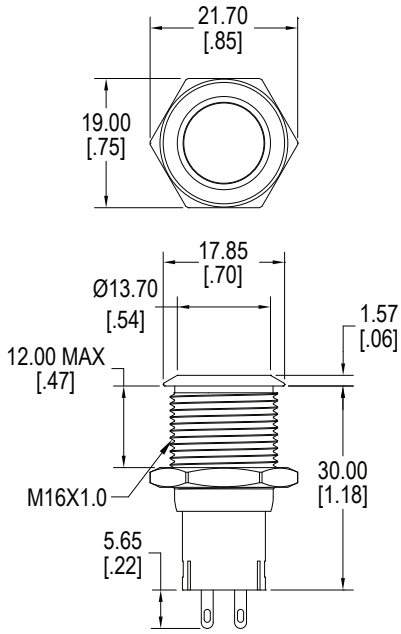


Ordering Information

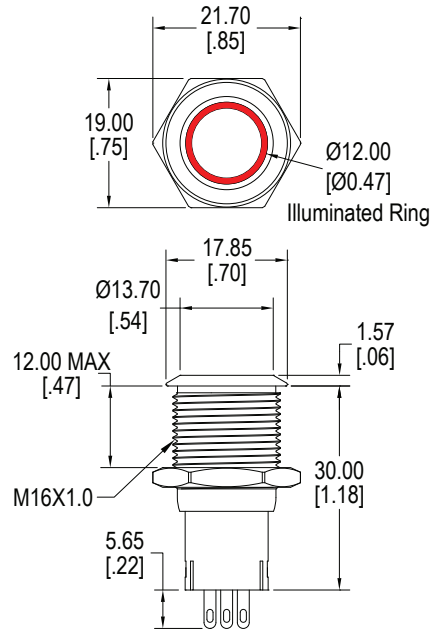
1. Series	CH	2	L	B	N	R	B
CH							
2. Number of Poles							
1 = SPDT							
2 = DPDT							
3. Latching Option							
N = Momentary							
L = Latching							
4. Actuator Style:							
A = Flush, non-illuminated							
B = Flush, ring illuminated							
C = Flush, dot illuminated							
D = Raised, non-illuminated							
E = Raised, ring illuminated							
F = Raised, dot illuminated							
G = Flush, universal standby symbol illuminated*							
H = Raised, universal standby symbol illuminated*							
*Not available with G, R, U or Y finish options							
5. Switch Finish							
S = Stainless Steel							
N = Nickel Plated							
B = Black Anodized Aluminum							
G = Green Anodized Aluminum							
R = Red Anodized Aluminum							
U = Blue Anodized Aluminum							
Y = Yellow Anodized Aluminum							
6. LED Color							
Blank = No LED							
R = Red							
Y = Yellow							
G = Green							
B = Blue							
W = White							
O = Orange							
RO = Red / Orange dual LED							
RY = Red / Yellow dual LED							
RG = Red / Green dual LED							
RB = Red / Blue dual LED							
OY = Orange / Yellow dual LED							
OG = Orange / Green dual LED							
OB = Orange / Blue dual LED							
YG = Yellow / Green dual LED							
YB = Yellow / Blue dual LED							
GB = Green / Blue dual LED							
* Contact Factory for other LED options							
7. LED Voltage							
Blank = No LED							
6 = 6VDC							
12 = 12VDC							
24 = 24VDC							
110 = 110VAC *not available with dual color LEDs							
220 = 220VAC *not available with dual color LEDs							
N = No internal resistor in series with the LED							
8. Sealing Options							
Blank = IP40, standard							
S = IP67							

Dimensions

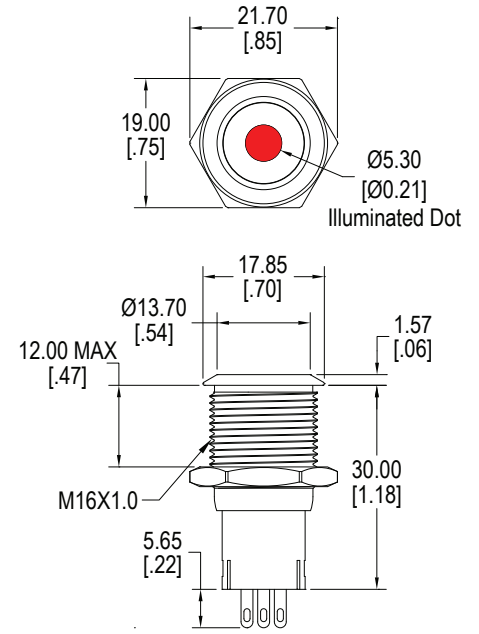
A Actuator



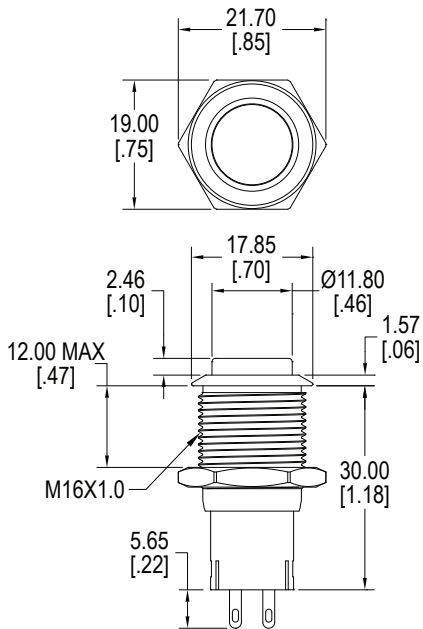
B Actuator



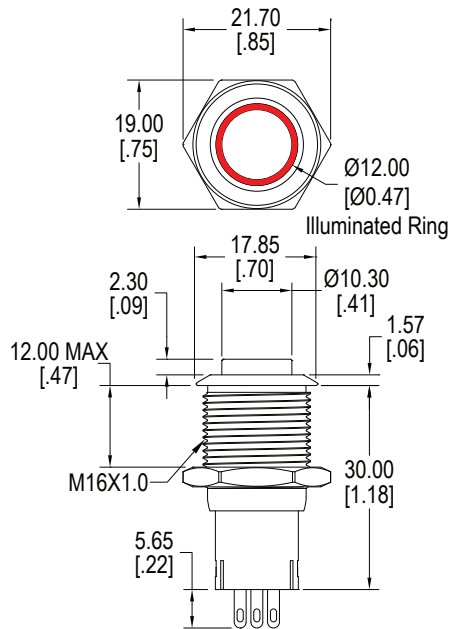
C Actuator



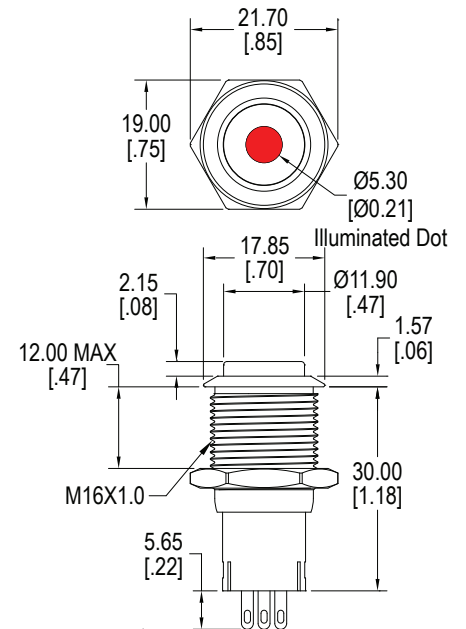
D Actuator



E Actuator

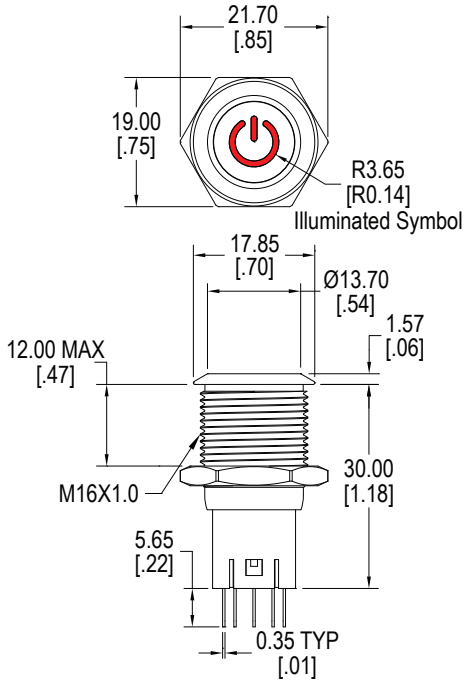


F Actuator

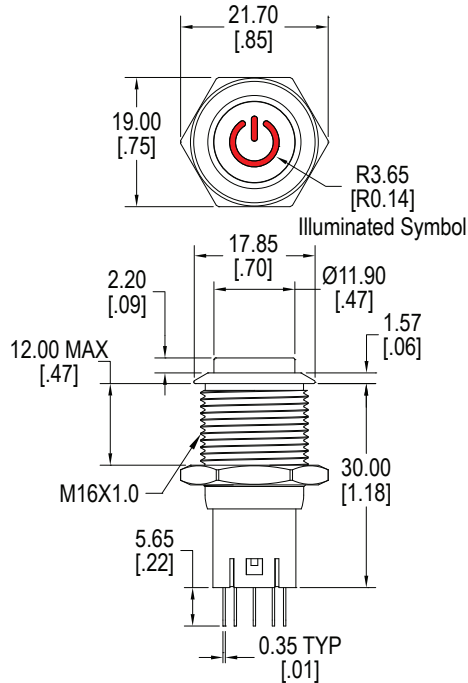


Dimensions - continued

G Actuator

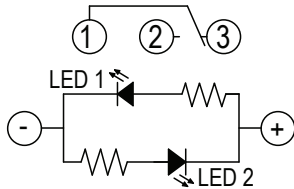


H Actuator

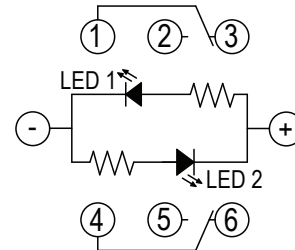


Schematics

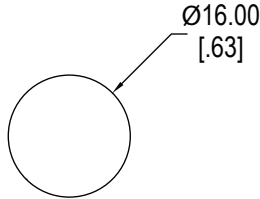
Single Pole Double Throw



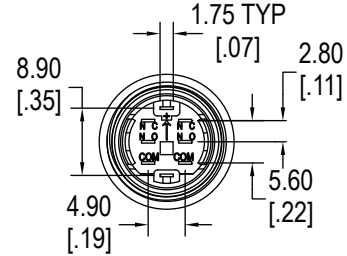
Double Pole Double Throw



Panel Cut-Out



Bottom View



LED Characteristics

LED Ratings		Color						Units
		R	Y	G	B	O	W	
Reverse Voltage	V_R	5	5	5	5	5	5	V
Forward Current (avg)	I_F	25	25	30	30	25	30	mA
Forward Current (peak)	I_{FS}	120	120	160	160	120	160	mA
Reverse Current $V_R = 5V$	I_R	10	10	10	10	10	10	μA
Power Dissipation	P_T	80	80	120	120	80	120	mW
Operating & Storage Temperature	T_A	-25 ~ +70						C°
Forward Voltage (typ) $I_F = 20mA$	V_F	2.1	2.1	3.3	3.3	2.0	3.0	V
Forward Voltage (max) $I_F = 20mA$	V_F	2.4	2.5	3.6	3.6	2.3	3.6	V
Wavelength at Peak Emission $I_F = 20mA$	λ_P	635	592	516	463	606	n/a	nm
Spectral Line Half-Width $I_F = 20mA$	$\Delta\lambda$	14	12	28	20	12	n/a	nm
Luminous Intensity, $I_F = 20mA$	LI	120	120	170	100	120	700	mcd
Viewing Angle	Θ	145	145	145	145	145	145	deg