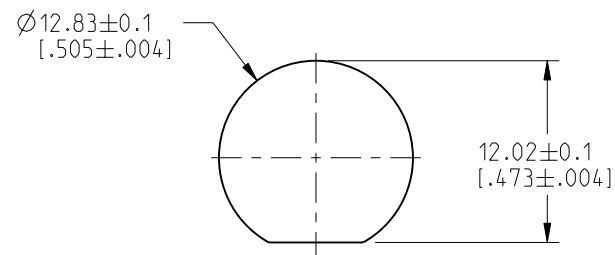


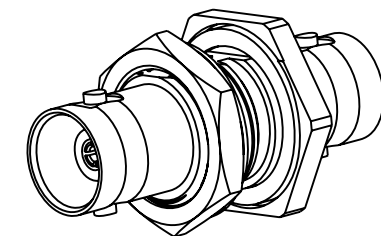
NOTES:

1. MATERIALS AND FINISHES:
 BODY, LOCKWASHER & HEX NUT - BRASS, TIN-NICKEL ALLOY PLATING
 CONTACTS - BeCu, GOLD PLATING
 INSULATORS - PTFE, NATURAL
 GASKET & O-RING - SILICONE RUBBER, RED
2. ELECTRICAL:
 A. IMPEDANCE: 50 OHM
 B. FREQUENCY RANGE: DC - 12 GHz
 C. VSWR: 1.30 MAX. @ DC - 4 GHz
 1.45 MAX. @ 4 - 12 GHz
 D. DIELECTRIC WITHSTANDING VOLTAGE: 1500 VRMS, MIN.
3. MECHANICAL:
 A. DURABILITY: 500 CYCLES MIN.
 B. TEMPERATURE RANGE: -40°C TO +85°C
 C. SALT SPRAY PER MIL-STD-202, METHOD 101,
 WITH FOLLOWING PARAMETERS:
 1) TEST CONDITION B
 2) 5% SALT SOLUTION
 3) CYCLE REPEATED TO 720 HOURS
4. PACKAGING:
 A. QUANTITY: SINGLE PACK
 B. MARKING PACKAGING TO BE MARKED
 "AMPHENOL RF, AD-BNCJBNCJ-EE AND DATE CODE"

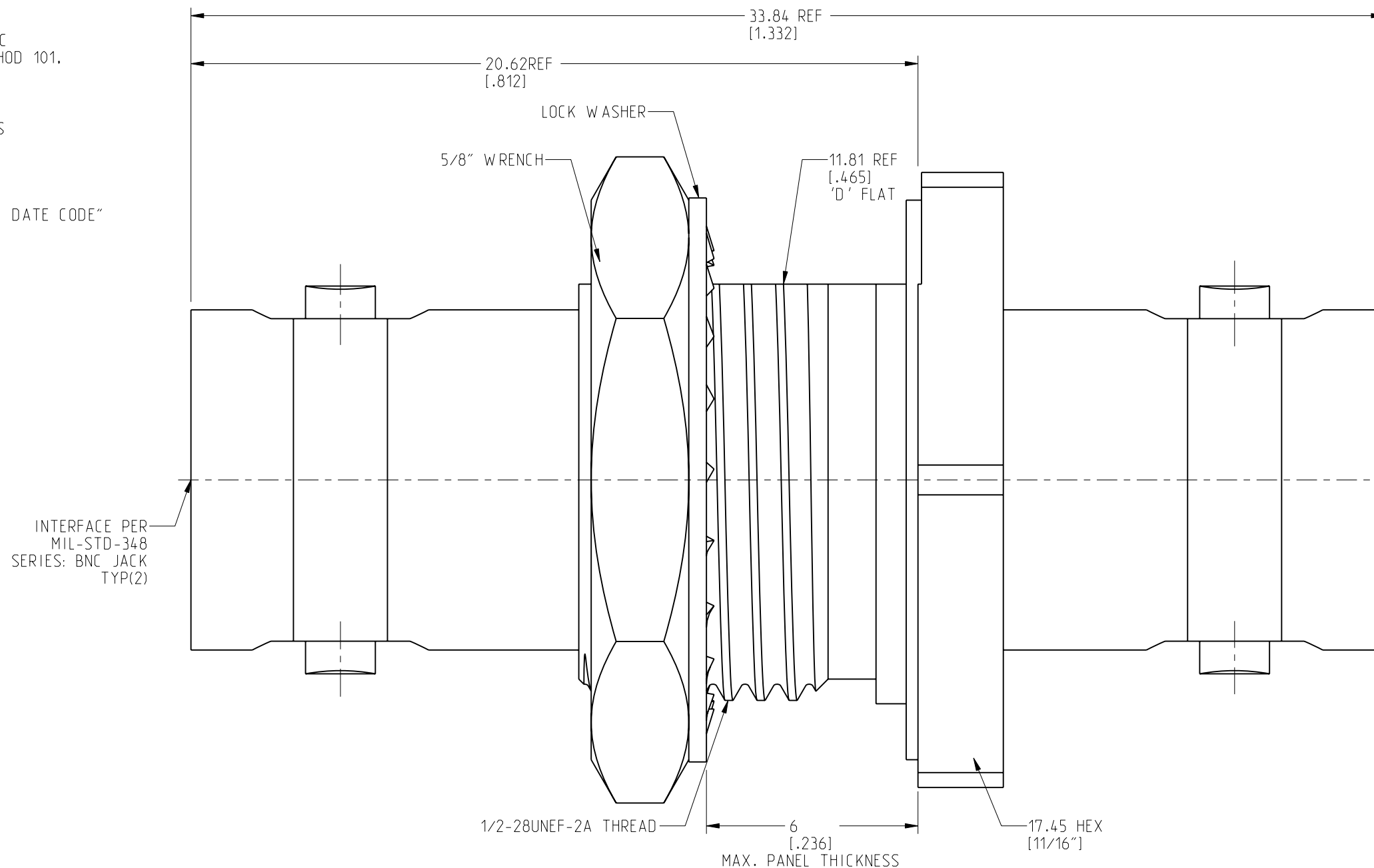


RECOMMENDED MOUNTING HOLE DIMENSIONS

REVISIONS				
REV	DESCRIPTION	DATE	ECN	BY
A	RELEASE TO MFG.	7-Jul-22	16314	SH



SCALE 1.500



CUSTOMER OUTLINE DRAWING
 ALL OTHER SHEETS ARE FOR INTERNAL USE ONLY

NOTICE: These drawings, specifications, or other data (1) are, and remain the property of Amphenol corp. (2) must be returned upon request; and (3) are confidential and not to be disclosed to any person other than those to whom they are given by Amphenol Corp. The furnishing of these drawings, specifications, or other data by Amphenol Corp., or to any other person to anyone for any purpose is not to be regarded by implication or otherwise in any manner licensing, granting rights to permitting such holder or any other person to manufacture, use or sell any product, process or design, patented or otherwise, that may in any way be related to or disclosed by said drawings, specifications, or other data.			UNLESS OTHERWISE SPECIFIED DIMENSIONS ARE METRIC (INCHES) AND TOLERANCES ARE: <0.5mm = ±0.05mm [$<0.020 = \pm 0.002$] 0.5 - 6mm = ±0.1mm [$>0.020 - 0.236 = \pm 0.004$] >6.00 - 30mm = ±0.2mm [$>0.236 - 1.181 = \pm 0.008$] >30.00 - 120mm = ±0.3mm [$>1.181 - 4.725 = \pm 0.012$] ANGLES = ±1°			MATERIAL SEE NOTES		TITLE BNC STR BHD JACK TO JACK IP 67 ADAPTER EXTREME EXPOSURE		Amphenol RF	
THIRD ANGLE PROJ.			REFERENCE AD-BNCJBNCJ-4		EAR# 11330		ENGR.1 KARTHIK		ENGR.2 WIKI		
					DATE 23-MAY-22		SHEET NO. 2 OF 2		SCALE: 7.0:1.0		
							SIZE B		DRAWING NO. AD-BNCJBNCJ-EE ITEM NO. AD-BNCJBNCJ-EE PART NO. AD-BNCJBNCJ-EE		
									REV A		