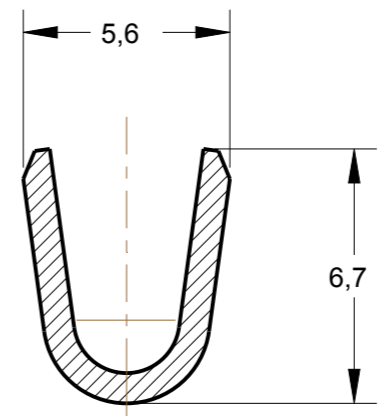
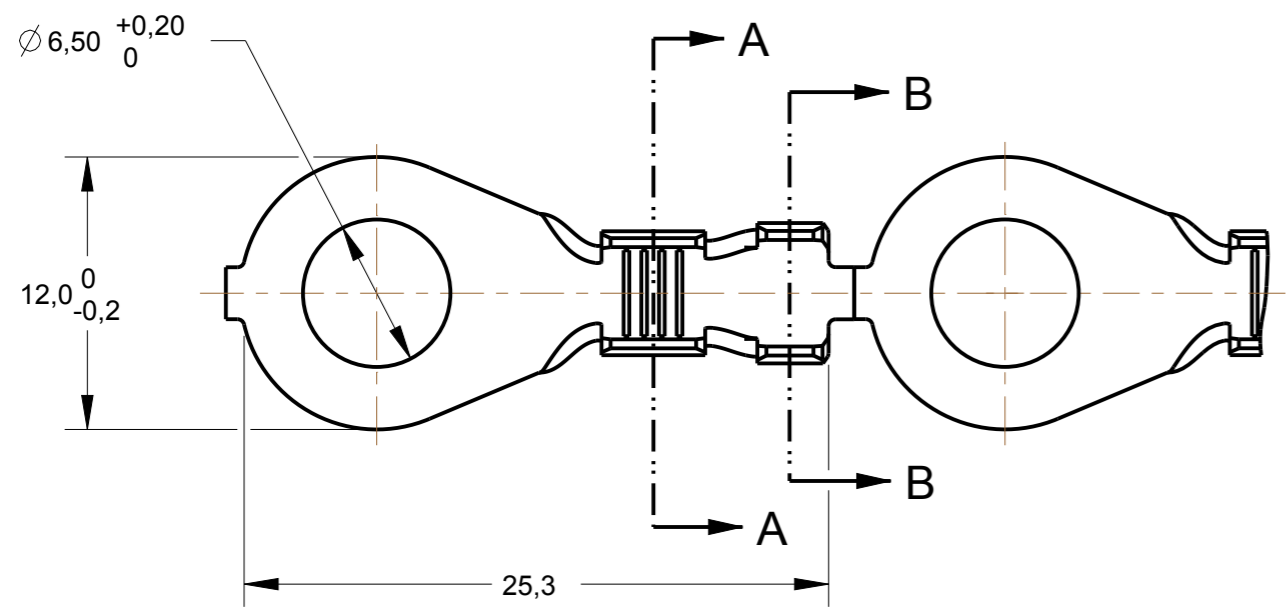


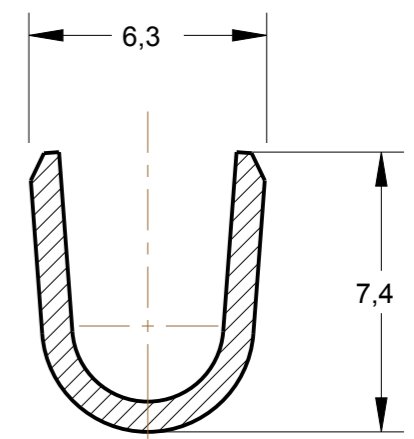
THIS DRAWING IS UNPUBLISHED. RELEASED FOR PUBLICATION 20
 © COPYRIGHT20 BY - ALL RIGHTS RESERVED.

| LOC | DIST | REVISIONS | | | |
|-----|------|----------------------------------|-----------|-----|------|
| P | LTR | DESCRIPTION | DATE | DWN | APVD |
| AP | - | | | | |
| | G4 | REDRAW AND REVISED ECO 13-015672 | 09OCT2013 | HC | WLS |
| | G5 | REV. BY ECO 15-014754 | 17FEB2016 | HC | WLS |
| | G6 | REVISED DRAWING ECO-17-008021 | 05JUN2017 | NCL | DAO |

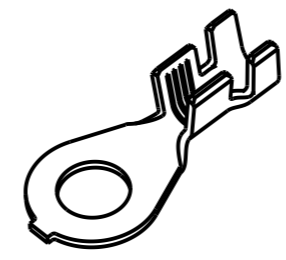
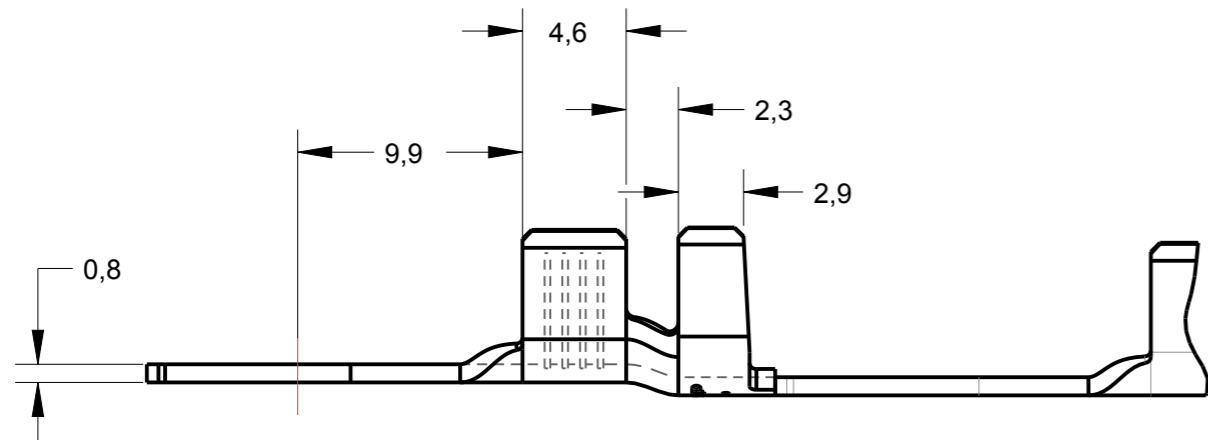
creo
 Creo Parametric 3.0
 DO NOT REVISE
 EXCEPT BY CAD



SECTION A-A
SCALE 5:1



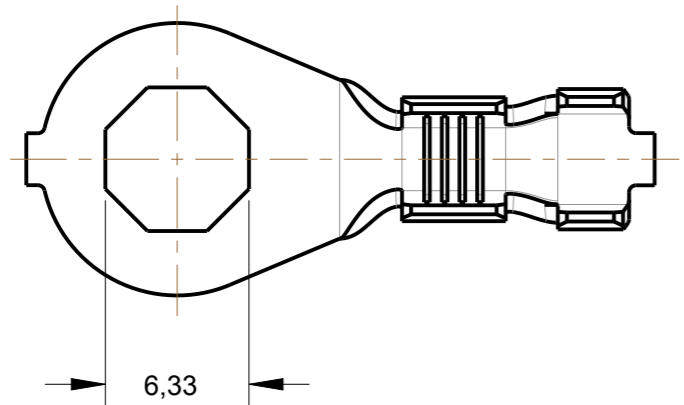
SECTION B-B
SCALE 5:1



PERSPECTIVE VIEW
SCALE 3:2

1 - BOBINAR COM PAPEL INTERCALADO
 - REELING WITH PAPER INTERLEAVE

626037-5
626037-6



| | | | | | | | |
|-----------------|--------------------------------------|-------------------------------|------------------------|--------------|---------------|----------|---|
| OBSELETE | PÓS ESTANHADO/ ELECTRO TIN PLATED | MAKE FROM 626037-5 | 626037-6 | 1 | | | |
| | PLAIN | LATÃO / BRASS | 626037-5 | 1 | | | |
| | PÓS ESTANHADO/ ELECTRO TIN PLATED | LATÃO / BRASS | 626037-4 | 1 | | | |
| | --- | BRONZE FOSFOROSO/PHOSP.BRONZE | 626037-3 | | | | |
| | PÓS ESTANHADO/ ELECTRO TIN PLATED | LATÃO / BRASS | 626037-2 | 1 | | | |
| 16,26 | 14,22 | ∅ 3,2-5,3mm | 4,0-6,0mm ² | --- | LATÃO / BRASS | 626037-1 | 1 |
| IDW | WDW | INSUL.RANGE | WIRE RANGE | FINISH | MATERIAL | PART NO | |

THIS DRAWING IS A CONTROLLED DOCUMENT.

DWN 08DEC2013 H.CANTERI
 CHK 08DEC2013 W.L.STEFANI
 APVD -

DIMENSIONS: mm
 TOLERANCES UNLESS OTHERWISE SPECIFIED:
 0 PLC ±-
 1 PLC ±0,3
 2 PLC ±-
 3 PLC ±-
 4 PLC ±-
 ANGLES ±1°

MATERIAL SEE TABLE FINISH SEE TABLE

Customer Drawing

TE Connectivity

STE

RING TONGUE

SIZE A3 CAGE CODE 00779 DRAWING NO C-626037 RESTRICTED TO -

SCALE 2:1 SHEET 1 OF 1 REV G6