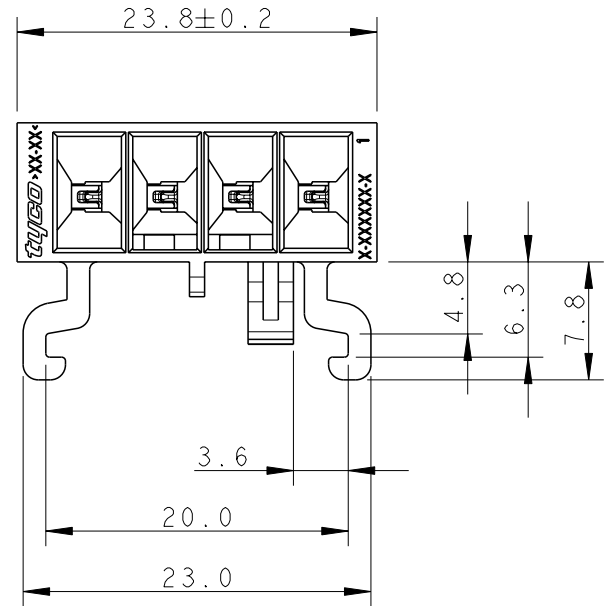
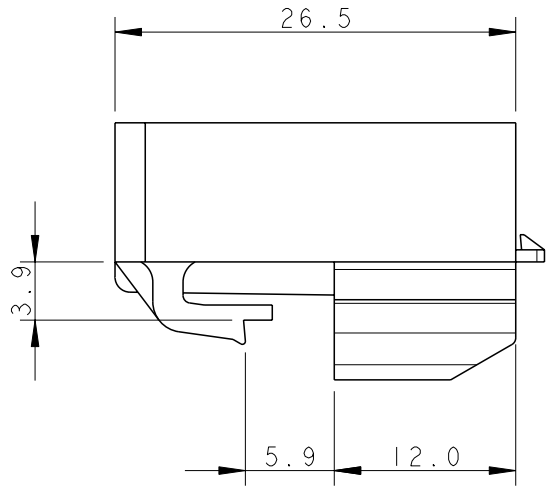
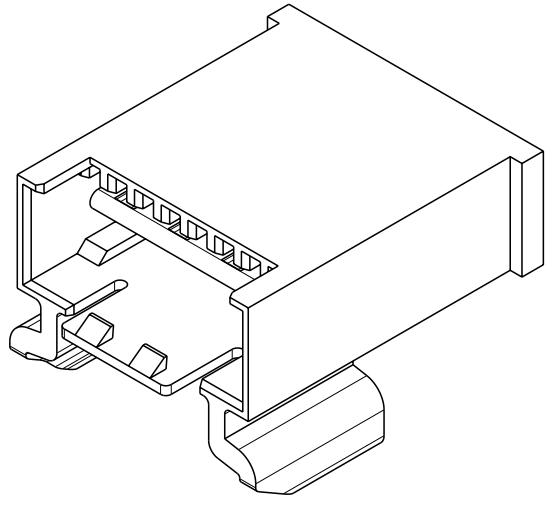
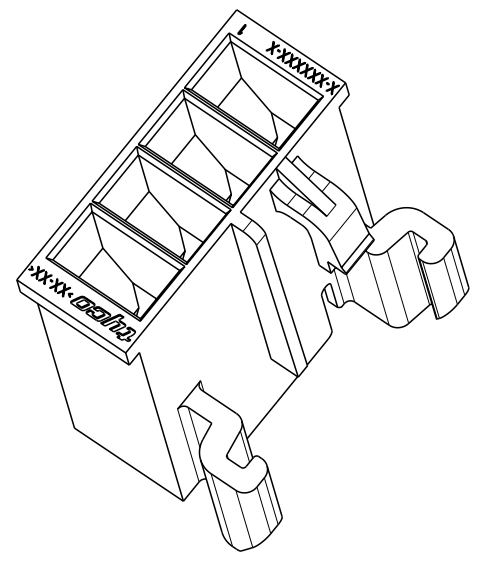
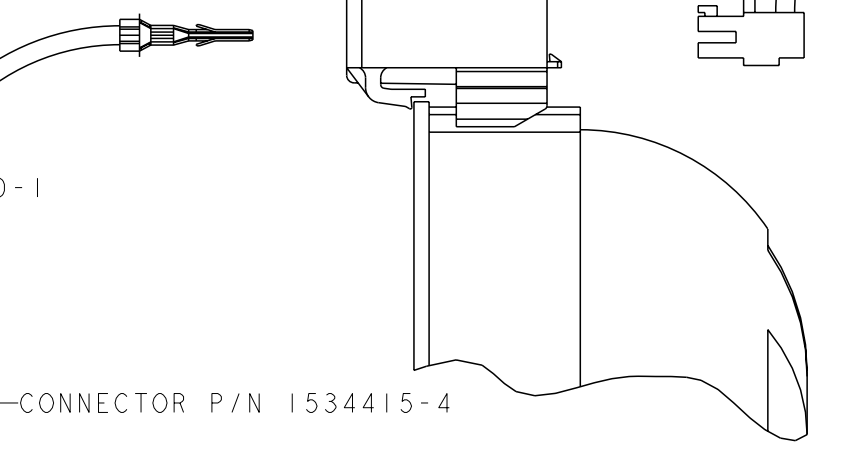
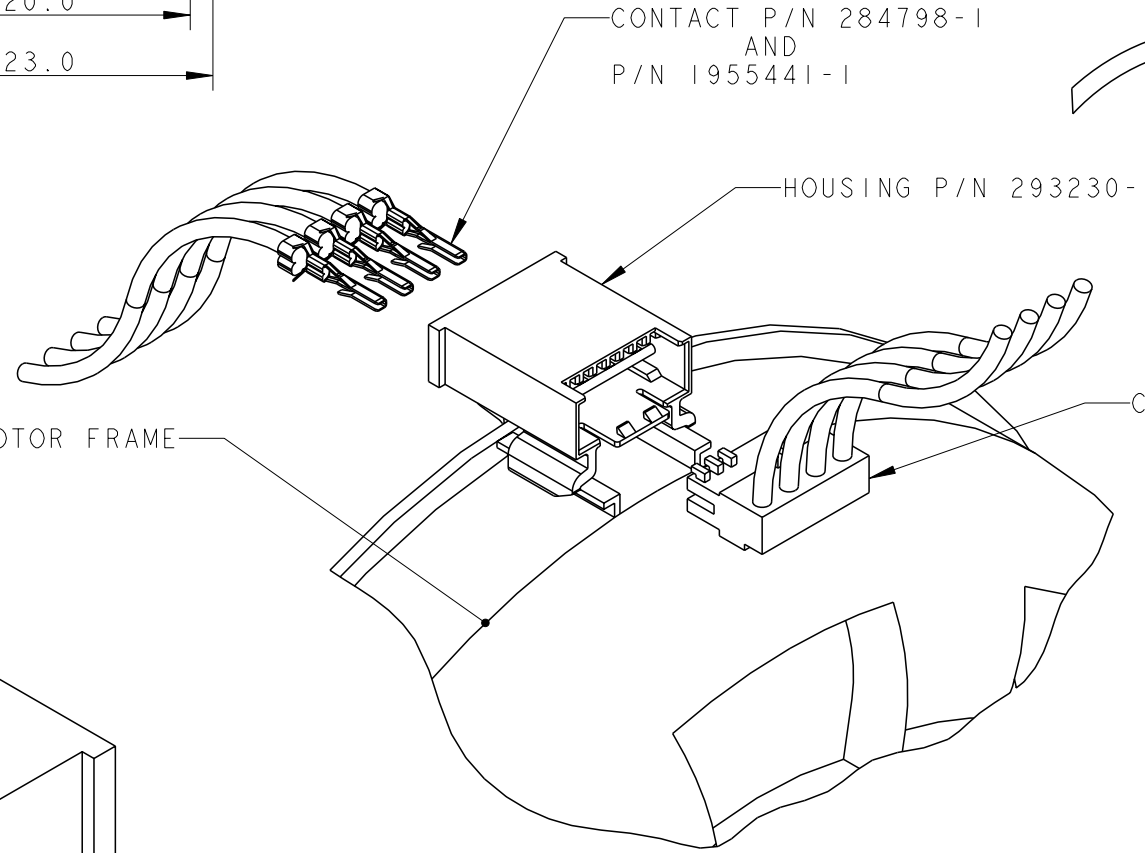
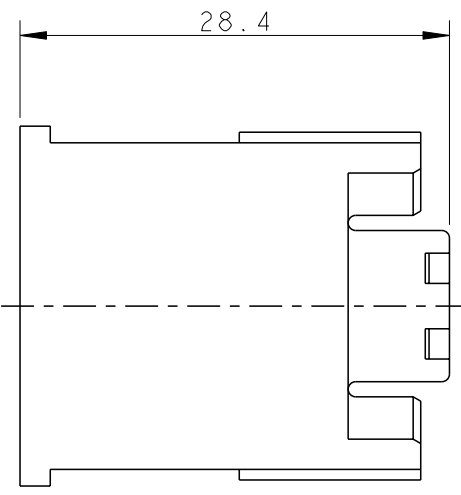
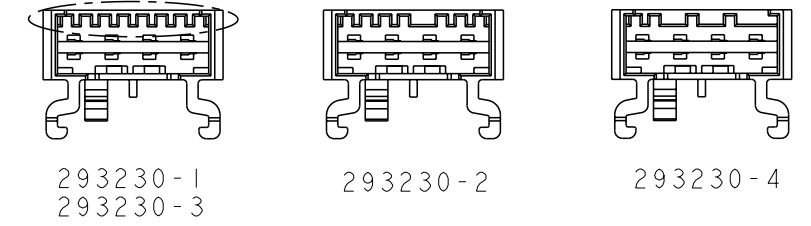


THIS DRAWING IS UNPUBLISHED. RELEASED FOR PUBLICATION 2006
 © COPYRIGHT 2006 BY TYCO ELECTRONICS CORPORATION. ALL RIGHTS RESERVED.

| LOC | DIST | REVISIONS | | | |
|-----|------|-------------|---------------|-----------|-------|
| P | LTR | DESCRIPTION | DATE | DWN | APVD |
| 1 | | A5 | ECO-20-011344 | 12AUG2020 | WW FL |



KEYING CONFIGURATION



- SUITABLE CONTACTS P/N 284798-1 And 1955441-1
- CONNECTOR COUNTERPART 1534415-4
- PRELIMINARY PN, NOT READY FOR PRODUCTION
- THE PRODUCT CORRESPONDS TO UL94-V2, GWEPT 750°C NO FLAME ACCORDING TO IEC-60335-1
- THE PRODUCT CORRESPONDS TO UL94-V0, GWEPT 750°C NO FLAME ACCORDING TO IEC-60335-1

| | | |
|---|----------|----------|
| 3 | PA 5 | 293230-4 |
| | PA 5 | 293230-3 |
| | PA 4 | 293230-2 |
| | PA 4 | 293230-1 |
| | MATERIAL | P/N |

P/N 293230-1 AS SHOWN

THE PRESENTED PRODUCT / DESIGN WILL BE RELEASED FOR THE MANUFACTURING OF THE NECESSARY PRODUCTION TOOLS HEREBY. FURTHER CHANGES HAS TO BE PAID BY CUSTOMER

DATE, SIGN OF THE CUSTOMER

| DIMENSIONS: | | TOLERANCES UNLESS OTHERWISE SPECIFIED: | |
|-------------|-----------|--|------|
| mm | | 0 PLC | ± |
| | | 1 PLC | ±0.2 |
| | | 2 PLC | ± |
| | | 3 PLC | ± |
| | | 4 PLC | ± |
| | | ANGLES | ± |
| MATERIAL | see table | FINISH | |

| | | | |
|------------------|------------|-------------------------------------|---------------|
| DWN | 14JUN2006 | Tyco Electronics | |
| CHK | A. Vecchia | Amp Italia S.p.A. 10093 Collegno TO | |
| APVD | G. Turco | NAME | |
| PRODUCT SPEC | | DUOPLUG POWER MOTOR MOUNT | |
| APPLICATION SPEC | | 4 POS. RAST 2.5 | |
| WEIGHT | | SIZE | RESTRICTED TO |
| CUSTOMER DRAWING | | A300779 | C=293230 |
| SCALE | 2:1 | SHEET | 1 OF 1 |
| REV | A5 | | |