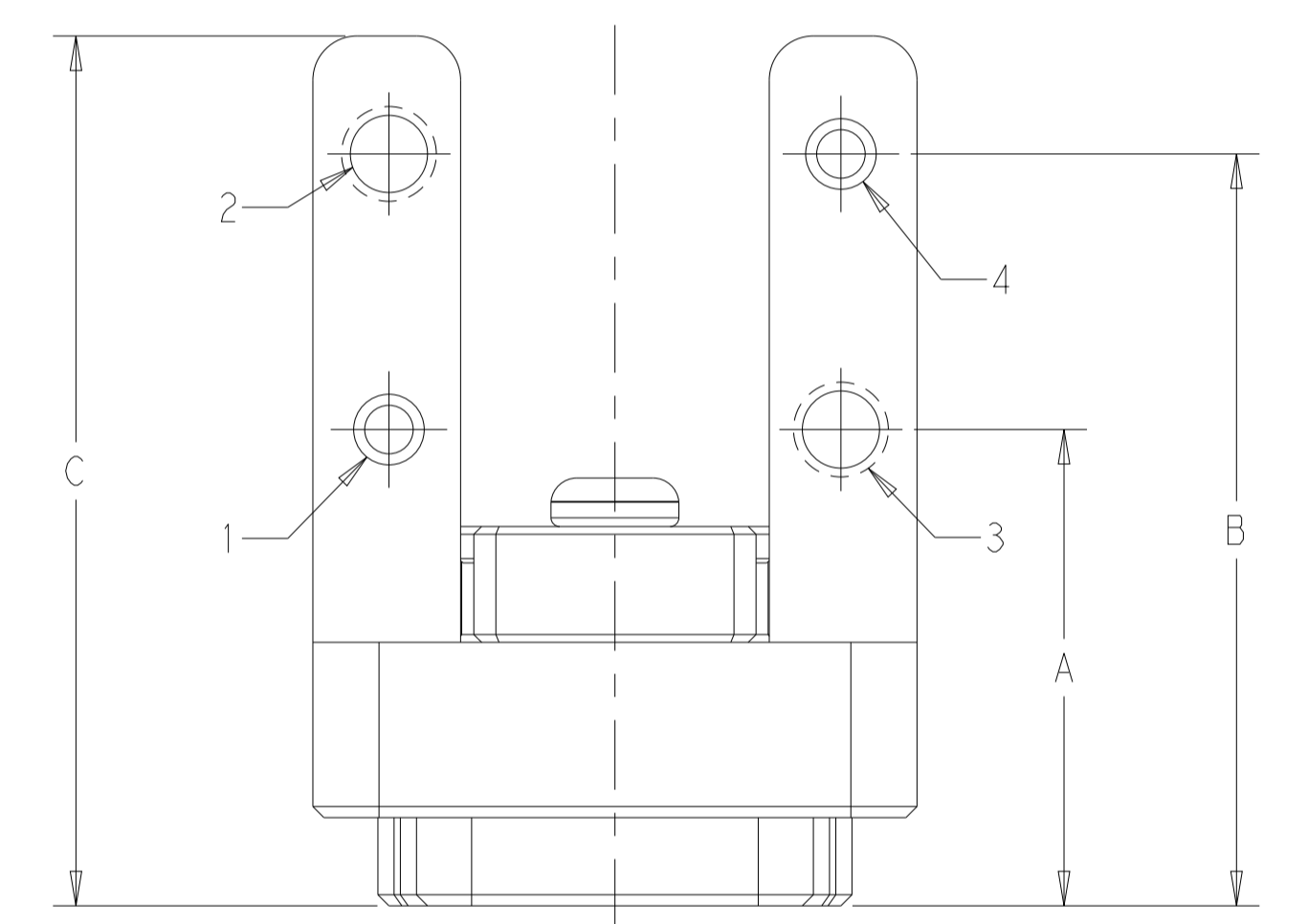
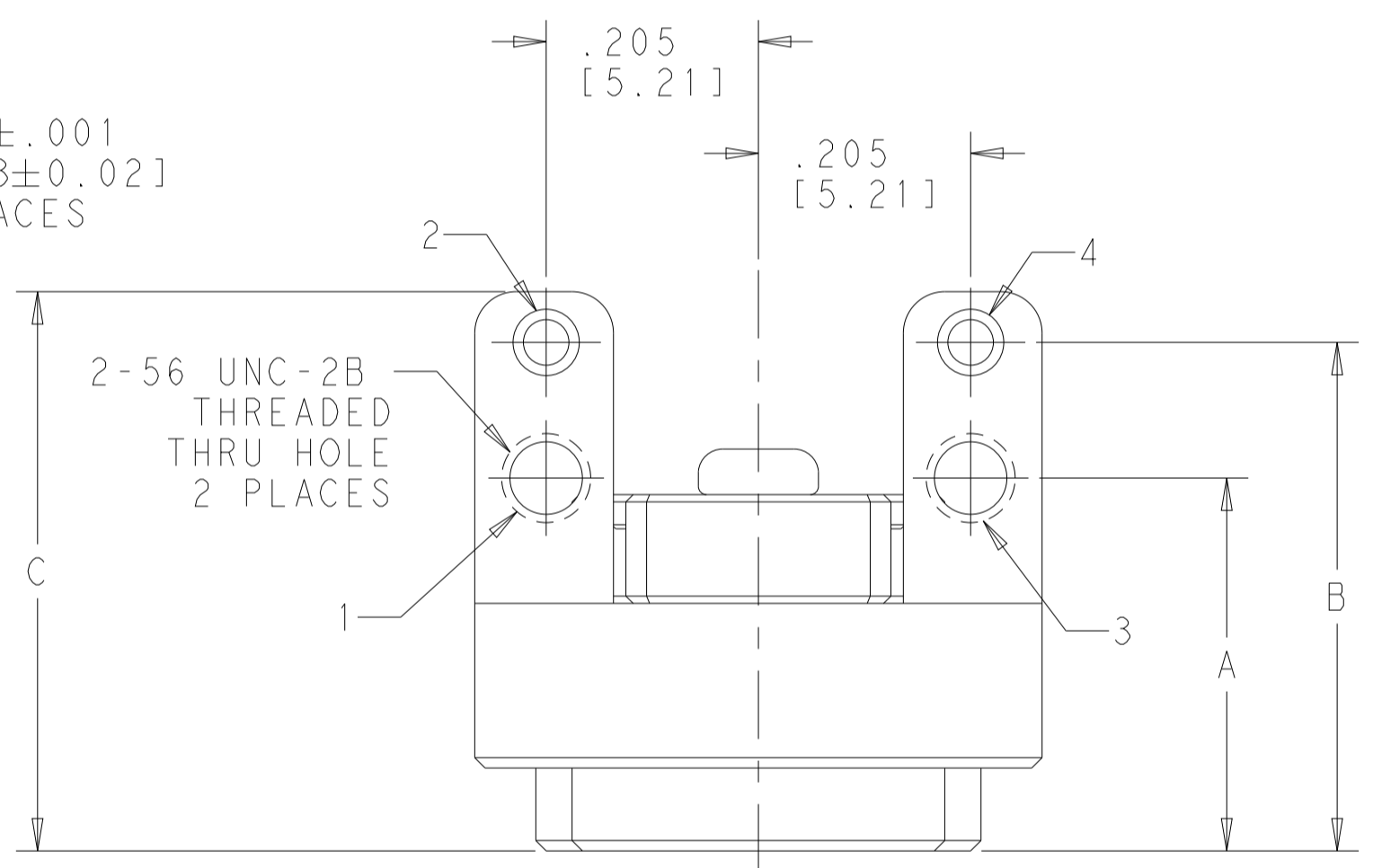
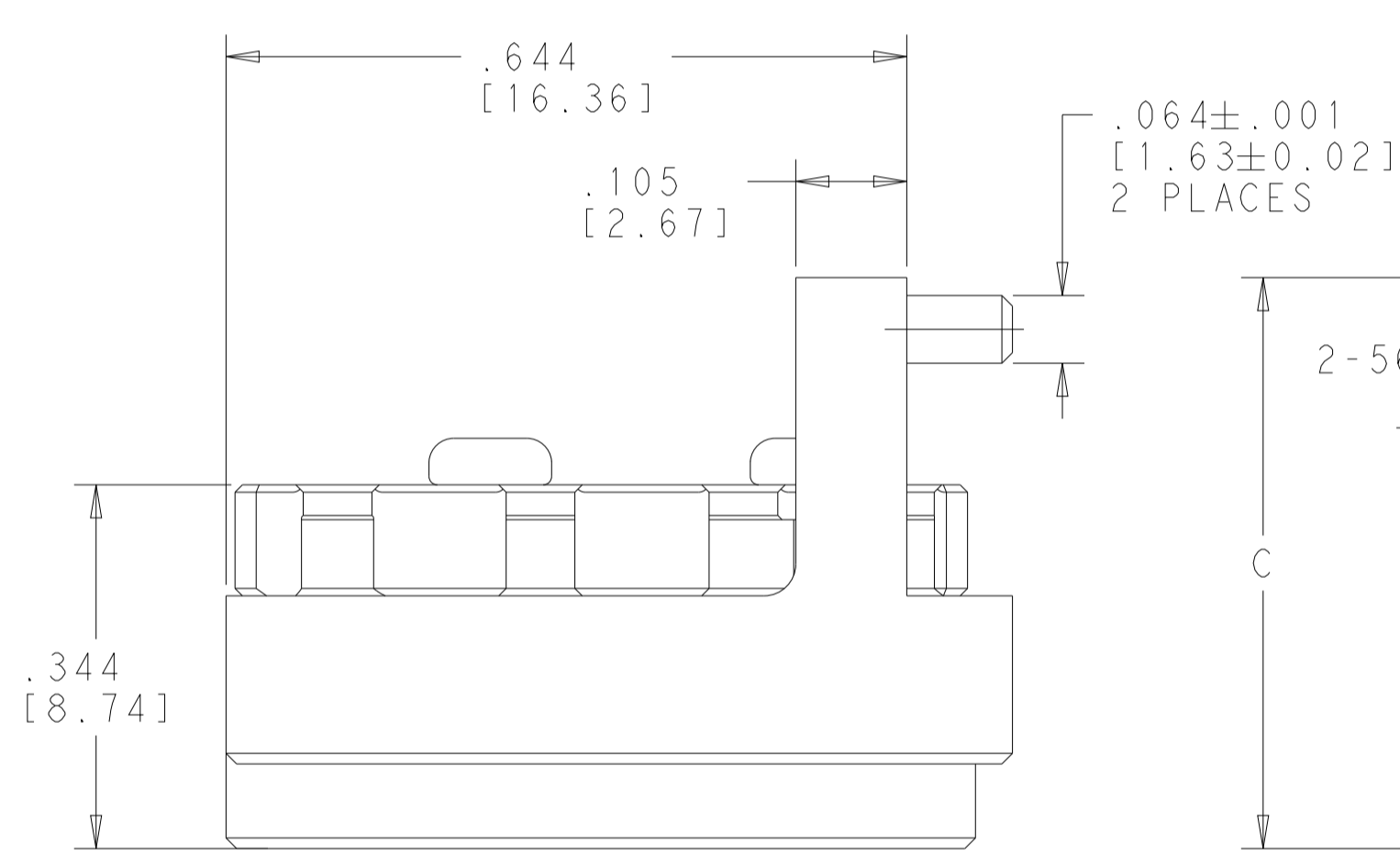
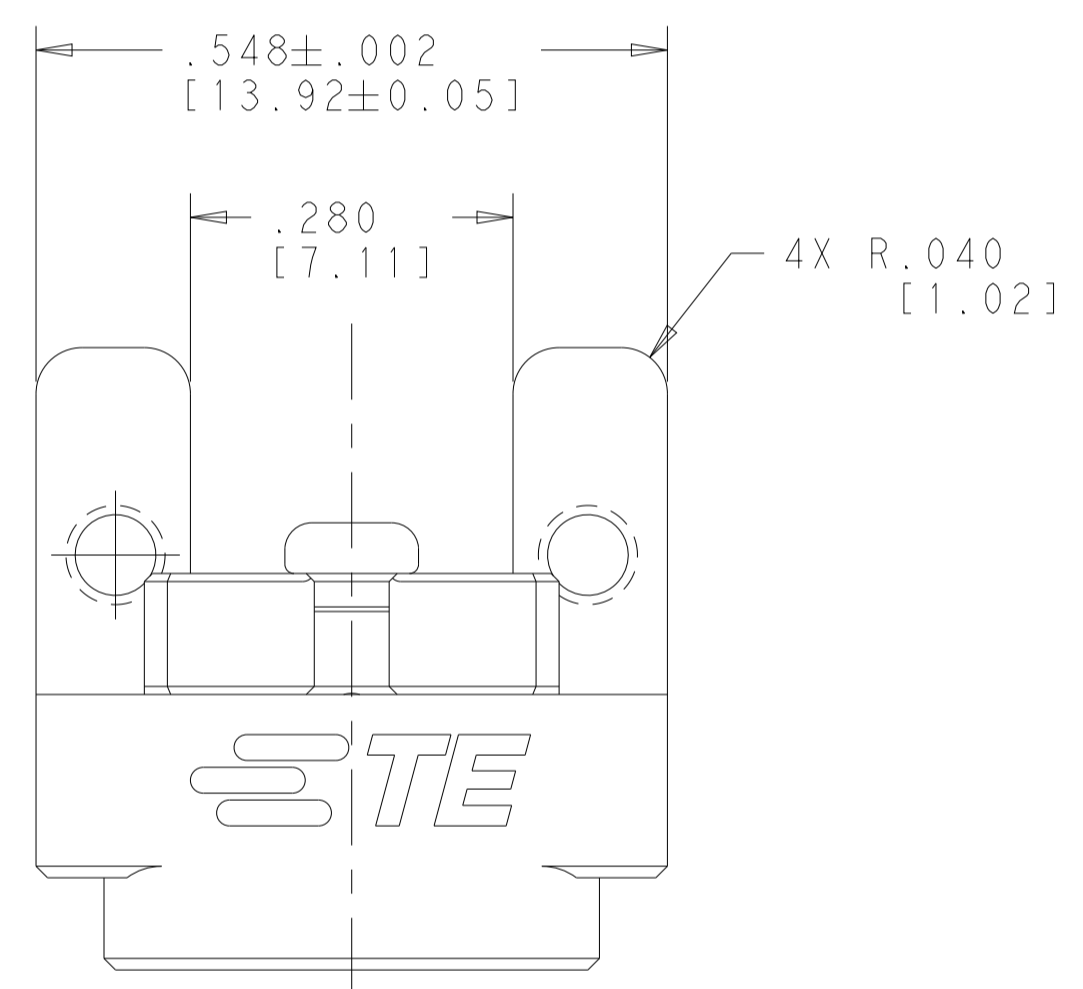
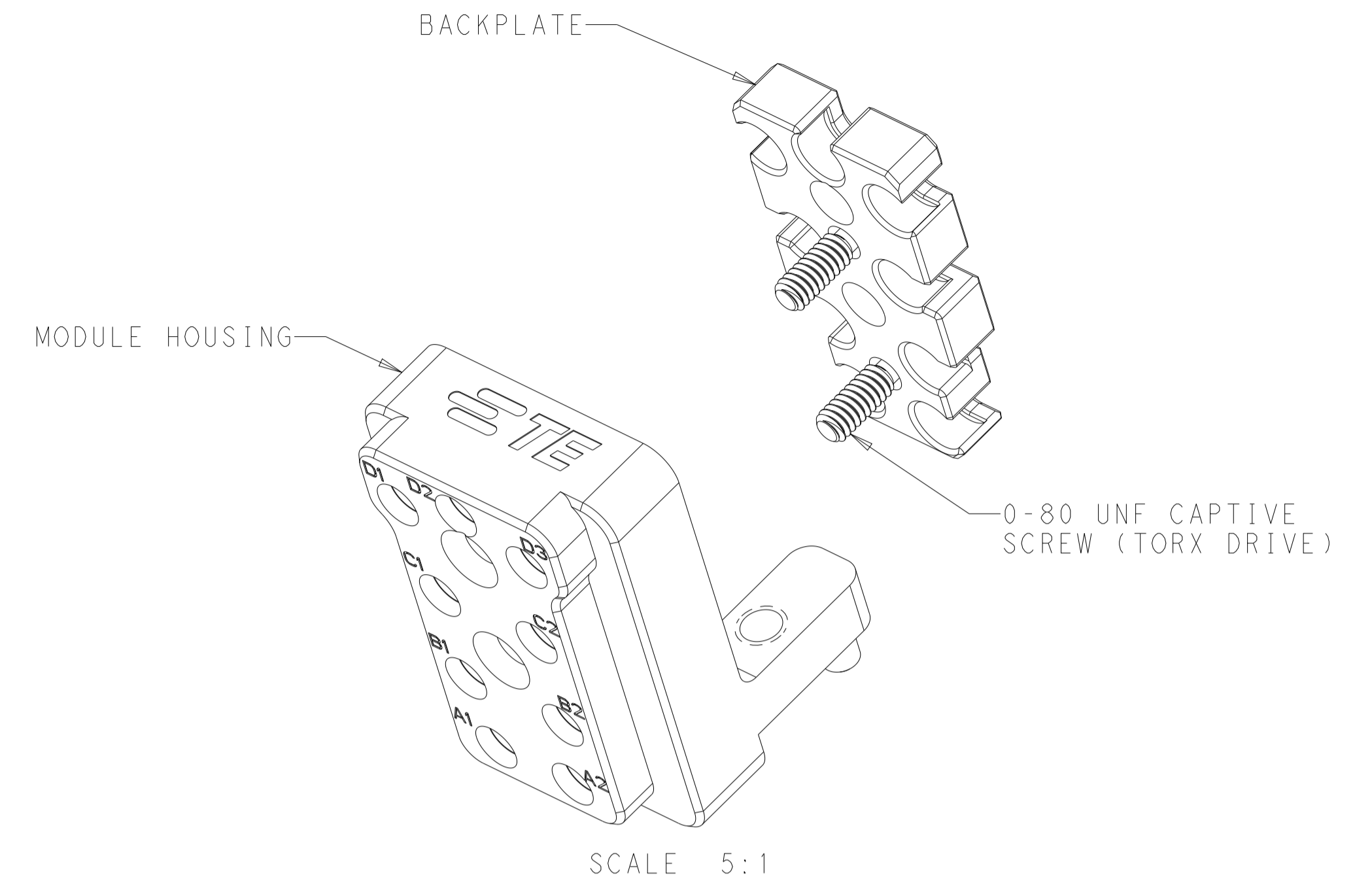
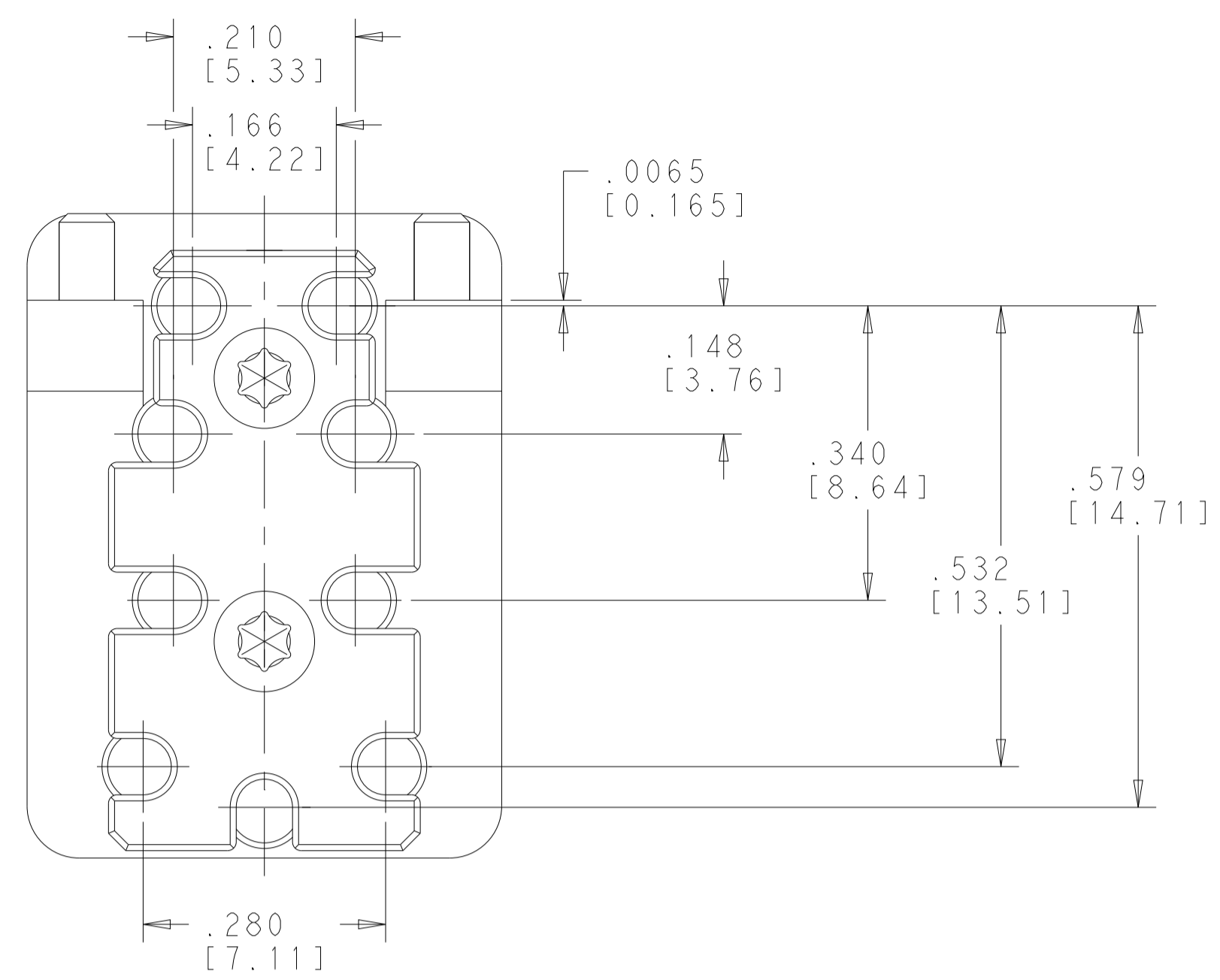
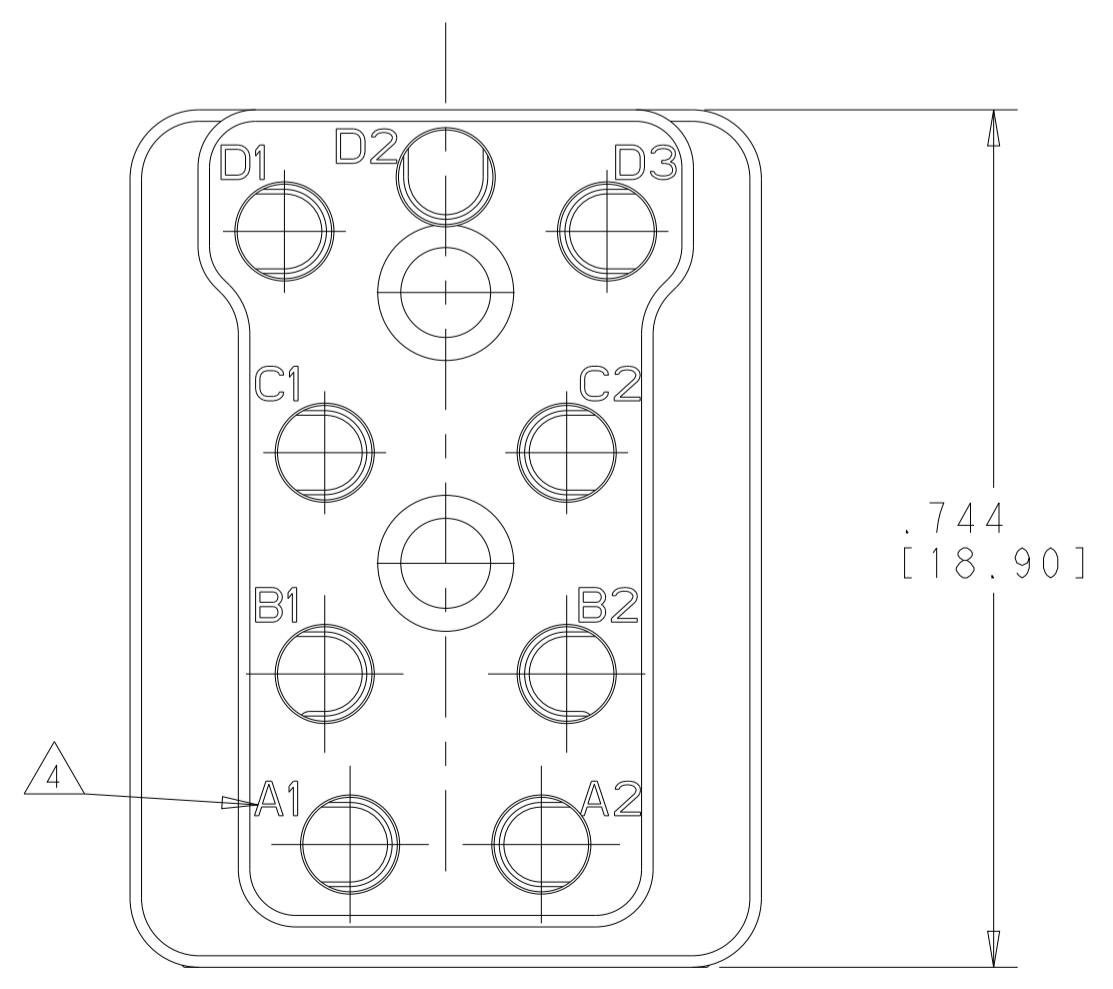


REVISIONS				
P	LTR	DESCRIPTION	DATE	APVD
A		RELEASED PER ECO 20-004476	4-2-20	CT FB
B		REV PER ECO-21-008136	21OCT2021	JAB FB



2357976-1
SEE TABLE
SCALE 6:1

2357976-2
SEE TABLE
SCALE 6:1



- △ MATERIAL:
MODULE HOUSING AND BACKPLATE - ALUMINUM ALLOY
SCREWS - 300 SERIES STAINLESS STEEL
- △ FINISH:
MODULE HOUSING AND BACKPLATE - CLEAR CHROMATE CONVERSION COATING
SCREWS - PASSIVATED
- 3. SHIPPED IN KIT FORM. BACKPLATE SCREWS TO BE ASSEMBLED TO BACKPLATE.
- △ CIRCUIT IDENTIFICATION MARKING
- 5. DESIGNED TO BE USED WITH NanoRF CONTACTS 2302339-1

.432	.682	.789	P	H	H	P	2357976-2
.360	.490	.540	H	P	H	P	2357976-1
A	B	C	1	2	3	4	PART NUMBER
LOCATION			SELECTION P=POST H=HOLE				

JURISDICTION	EAR
CLASSIFICATION	EAR99
DATE OF MARKING	21OCT2021
THIS DOCUMENT CONTAINS CONTROLLED TECHNICAL DATA SUBJECT TO THE EXPORT ADMINISTRATION REGULATIONS (EAR). VIOLATIONS OF THESE EXPORT LAWS AND REGULATIONS ARE SUBJECT TO CIVIL AND CRIMINAL PENALTIES.	

THIS DRAWING IS A CONTROLLED DOCUMENT. DWN: K. MILLER 08JUL2019
 CHK: K. DOWHOWER 16AUG2019
 APVD: -

DIMENSIONS: [INCHES(mm)]	TOLERANCES UNLESS OTHERWISE SPECIFIED:	PRODUCT SPEC	APPLICATION SPEC
0 PLC	±	108-163006	408-163016
1 PLC	±		
2 PLC	±		
3 PLC	±.005(0.13)		
4 PLC	±		
ANGLES	±		
FINISH	±		

MATERIAL: 1 FINISH: 2

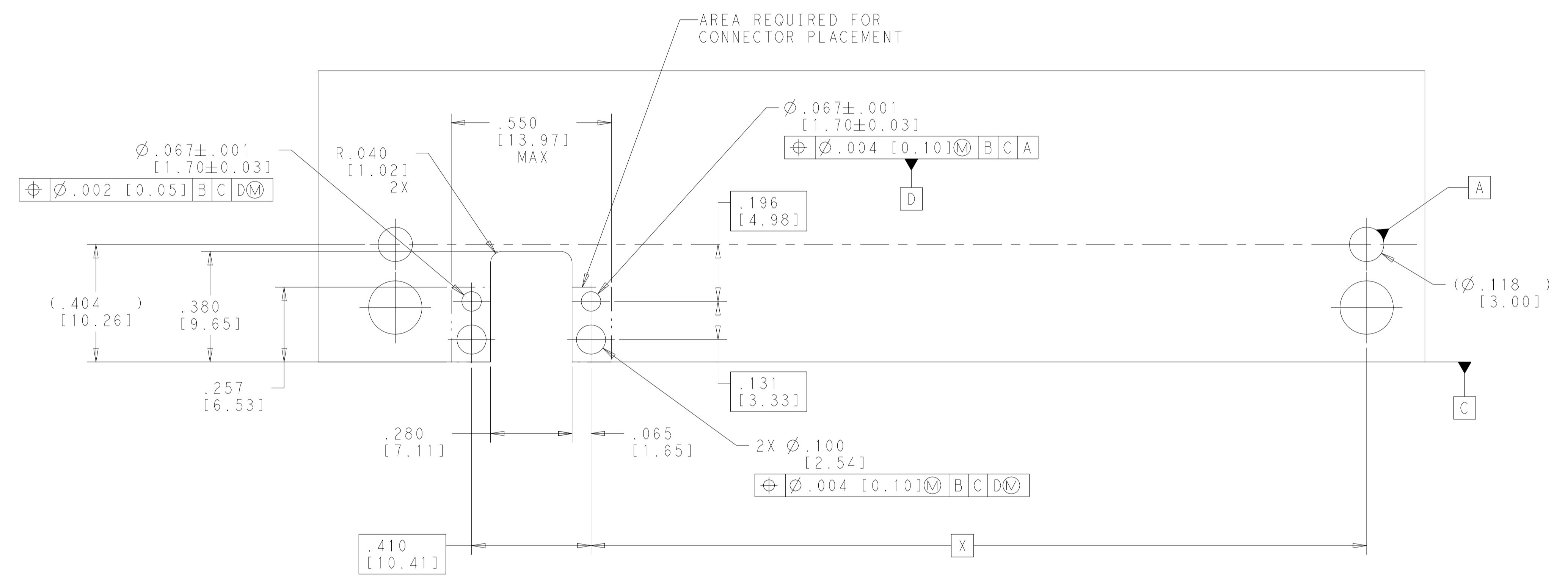
CUSTOMER DRAWING

NAME: NanoRF MODULE, DAUGHTERCARD, 9 POSITION, .047 CABLE, VITA 67.3

SIZE: A1 CAGE CODE: 100779 DRAWING NO: 2357976 RESTRICTED TO: -

SCALE: 6:1 SHEET 1 OF 2 REV B

REVISIONS				
P	LTN	DESCRIPTION	DATE	APVD
-		SEE SHEET 1	-	-



RECOMMENDED PCB LAYOUT
(FOR CABLED CONTACTS)

P2A	2.107[53.52]
P2B	2.663[67.64]
P3A	3.795[96.39]
P3B	4.351[110.51]
P4A	4.929[125.19]
P4B	5.485[139.31]
P5A	6.062[153.99]
P5B	6.618[168.11]
P6A	7.196[182.79]
P6B	7.752[196.91]
POSITION	DIM "X"

JURISDICTION	EAR
CLASSIFICATION	EAR99
DATE OF MARKING	21OCT2021
THIS DOCUMENT CONTAINS CONTROLLED TECHNICAL DATA SUBJECT TO THE EXPORT ADMINISTRATION REGULATIONS (EAR). VIOLATIONS OF THESE EXPORT LAWS AND REGULATIONS ARE SUBJECT TO CIVIL AND CRIMINAL PENALTIES.	

THIS DRAWING IS A CONTROLLED DOCUMENT.		OWN K. MILLER 16AUG2019	08JUL2019		TE Connectivity
DIMENSIONS: INCHES(mm)		CHK K. DOWHOWER	APVD		NAME NanoRF MODULE, DAUGHTERCARD, 9 POSITION, .047 CABLE, VITA 67.3
TOLERANCES UNLESS OTHERWISE SPECIFIED:		PRODUCT SPEC		RESTRICTED TO	
0 PLC	±	108-163006		SIZE CAGE CODE DRAWING NO	
1 PLC	±	APPLICATION SPEC		A100779C=2357976	
2 PLC	±	408-163016		WEIGHT	
3 PLC	±.005(0.13)	MATERIAL		CUSTOMER DRAWING	
4 PLC	±	FINISH		SCALE 6:1 SHEET 2 OF 2 REV B	
ANGLES	±				