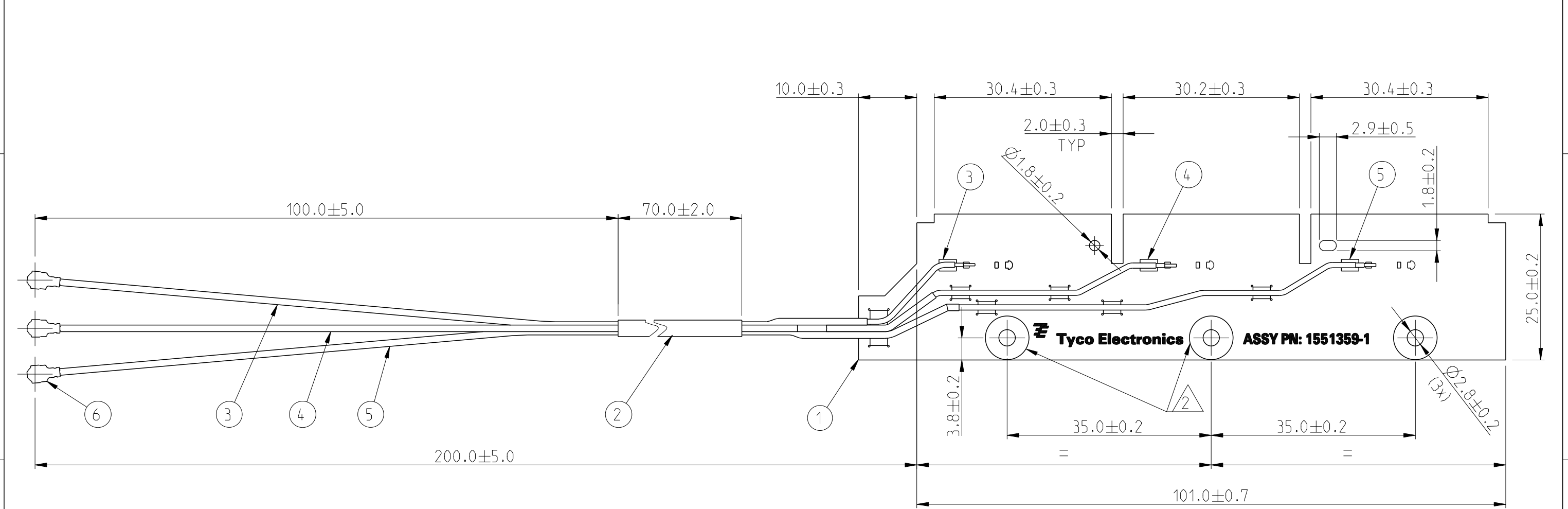


THIS DRAWING IS UNPUBLISHED. RELEASED FOR PUBLICATION 2009  
 © COPYRIGHT 2009 BY TYCO ELECTRONICS CORPORATION. ALL RIGHTS RESERVED.

| LOC | DIST | REVISIONS   |                                       |           |      |    |
|-----|------|-------------|---------------------------------------|-----------|------|----|
| P   | LTR  | DESCRIPTION | DATE                                  | DWN       | APVD |    |
| H   | -    | A1          | Dimension changed from 10.5 to 10.0mm | 21MAY2010 | SM   | RL |



PN 1551359-1 AS SHOWN

NOTES:

1. PCB MATERIAL: GETEK

△ CABLE NOT ALLOWED TO BE INSIDE THE CIRCULAR AREA

| ITEM NO | DESCRIPTION                      | QTY |
|---------|----------------------------------|-----|
| 6       | I-PEX CONNECTOR                  | 3   |
| 5       | Ø1.13mm GREY CABLE               | 1   |
| 4       | Ø1.13mm WHITE CABLE              | 1   |
| 3       | Ø1.13mm BLACK CABLE              | 1   |
| 2       | H.S.TUBE TYPE 3.0 ECUMENIC BLACK | 1   |
| 1       | PCB                              | 1   |

|  |   |   |   |
|--|---|---|---|
| <small>THIS DRAWING IS A CONTROLLED DOCUMENT FOR TYCO ELECTRONICS CORPORATION. IT IS SUBJECT TO CHANGE AND THE CONTROLLING ENGINEERING ORGANIZATION SHOULD BE CONTACTED FOR THE LATEST REVISION.</small> |   | DWN SUBHASH.M 28-AUG-09<br>CHK R.LOKKER 28-AUG-09<br>APVD Y. BRAEMS -<br>PRODUCT SPEC -<br>APPLICATION SPEC -<br>WEIGHT - | <b>Tyco Electronics</b> Tyco Electronics Corporation<br>'s-Hertogenbosch, Nederland<br>NAME 2x 3 MIMO ANTENNA ASSEMBLY (5GHz)<br>SIZE A3 CAGE CODE 00779 DRAWING NO © 1551359 RESTRICTED TO - |
| DIMENSIONS: mm<br>   | TOLERANCES UNLESS OTHERWISE SPECIFIED:<br>0 PLC ±0.2<br>1 PLC ±0.1<br>2 PLC ±0.05<br>3 PLC ±0.025<br>4 PLC ±0.005<br>ANGLES ±2° | MATERIAL - FINISH -<br>CUSTOMER DRAWING   | SCALE NTS SHEET 1 OF 1 REV A1   |