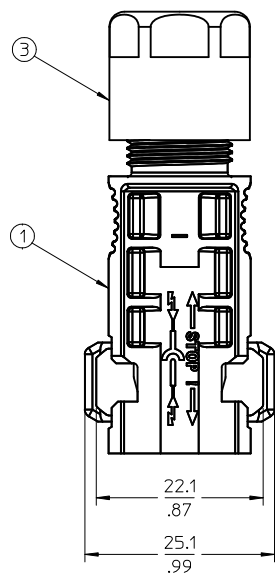
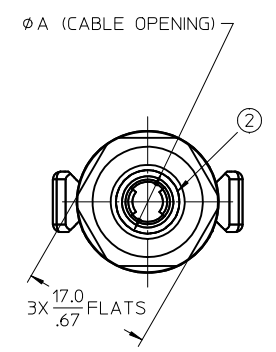
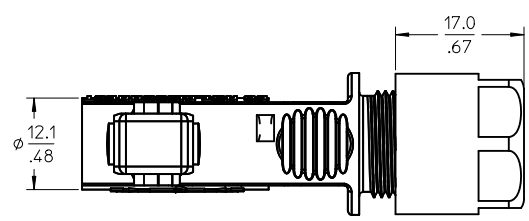
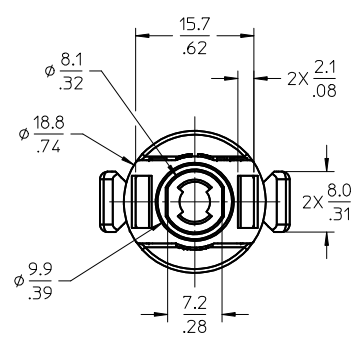
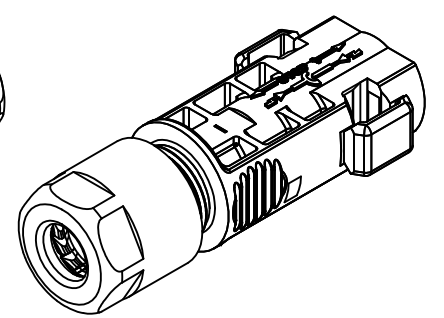
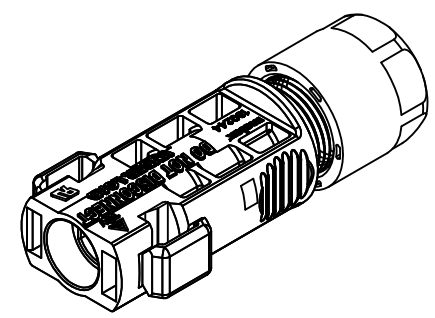
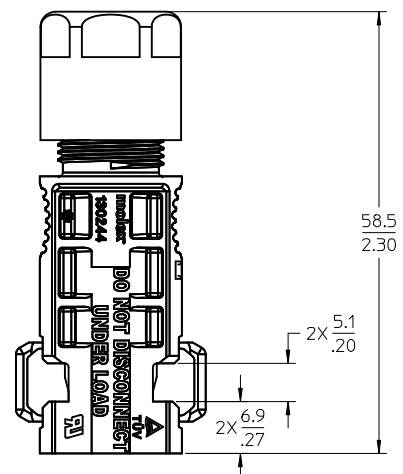


1302440204	2.5 mm <sup>2</sup> / 14 AWG	5.8-6.7 / .23-.26	7.0 / .28
1302440202	4.0-6.0 mm <sup>2</sup> / 12-10 AWG	6.7-7.8 / .26-.31	8.4 / .33
MATERIAL NO.	CABLE SIZE	CABLE Ø RANGE	DIM. "A"



(OPPOSITE SIDE)



NOTES:

1. MATERIALS: SEE TABLE
2. FINISHES: SEE TABLE
3. PRODUCT SPECIFICATION: PS-130244-001
4. PACKAGING SPECIFICATION: PK-130244-002
5. USE SOLARSPEC TERMINAL SERIES 130196
6. MATES WITH: 1302440201 OR 1302440203
7. ASSEMBLY IS ROHS COMPLIANT.

3	1	CABLE RETENTION NUT	POLYCARBONATE (PC)	BLACK
2	1	CABLE GROMMET	SILICONE	TRANSLUCENT
1	1	PIN HOUSING	POLYCARBONATE (PC)	BLACK
ITEM	QTY	DESCRIPTION	MATERIAL	FINISH

RELEASED	2011/05/12
EC NO: IPG2012-0291	2011/05/12
DRW:BRUPERT	2012/02/24
CHKD:	
APPR:DTITUS	
REV	DESCRIPTION
A	

QUALITY SYMBOLS
▽=0
▽=0

GENERAL TOLERANCES (UNLESS SPECIFIED)
4 PLACES ± .13
3 PLACES ± .005
2 PLACES ± .010
1 PLACE ± .025
ANGULAR ± 2°
DRAFT WHERE APPLICABLE MUST REMAIN WITHIN DIMENSIONS

DIMENSION STYLE	MM/IN
DRAWN BY	DATE
CPLYORK	2010/03/17
CHECKED BY	DATE
DTITUS	2010/03/17
APPROVED BY	DATE
DTITUS	2010/10/28
MATERIAL NO.	SEE CHART
SIZE	C

SCALE	2:1
DESIGN UNITS	METRIC
THIRD ANGLE PROJECTION	
TITLE	PIN ASSEMBLY, PV SOLAR DC CONNECTOR, 14-10 AWG
MOLEX	MOLEX INCORPORATED
DOCUMENT NO.	SD-130244-002
SHEET NO.	1 OF 1
THIS DRAWING CONTAINS INFORMATION THAT IS PROPRIETARY TO MOLEX INCORPORATED AND SHOULD NOT BE USED WITHOUT WRITTEN PERMISSION	