

PART NUMBER	ENGINEERING NUMBER	FINISH LENGTH
1300660261	CR4D00A30M005	1.64' [0.5M]
1300660225	CR4D00A30M030	9.84' [3.0M]

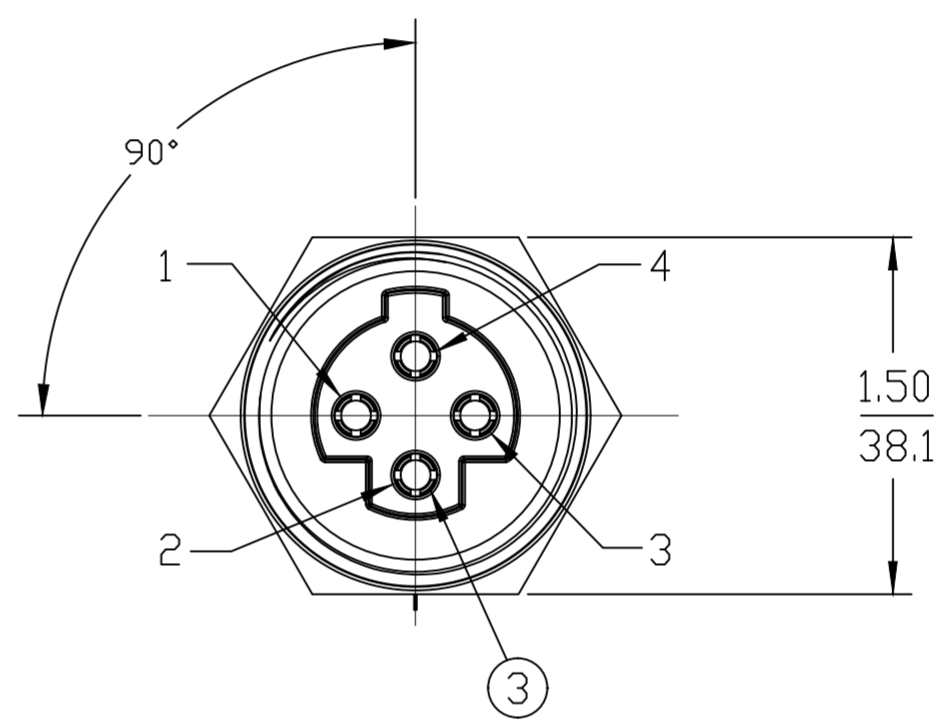
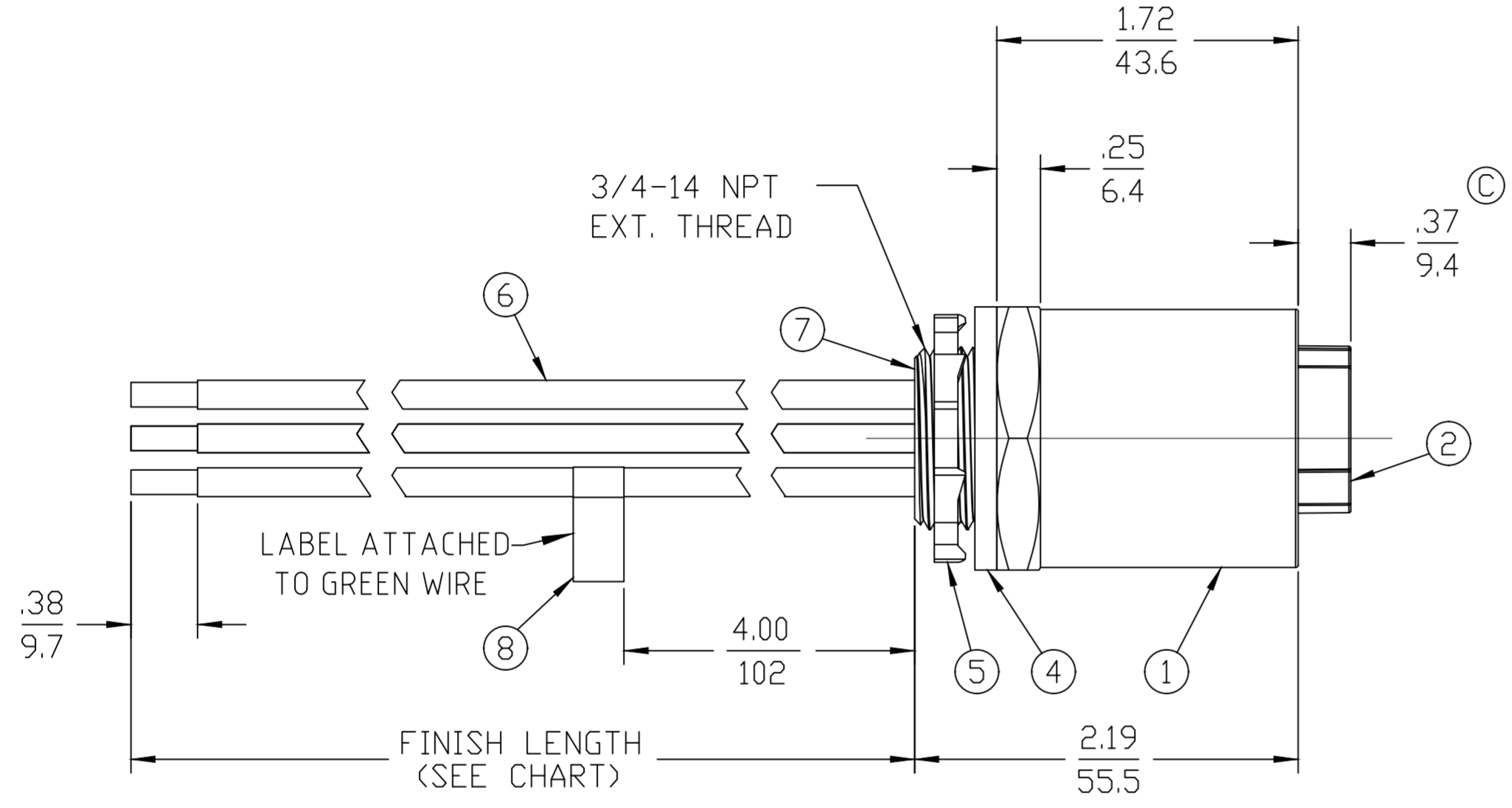
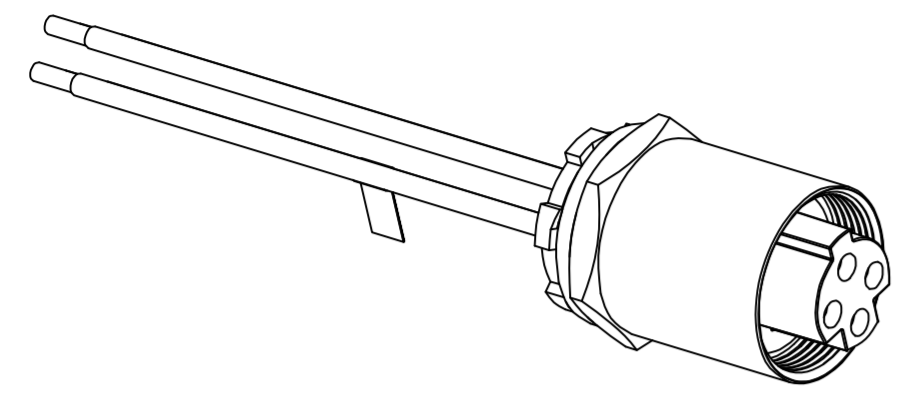
**PART NUMBER LEGEND**

**CR4D00A30M005**

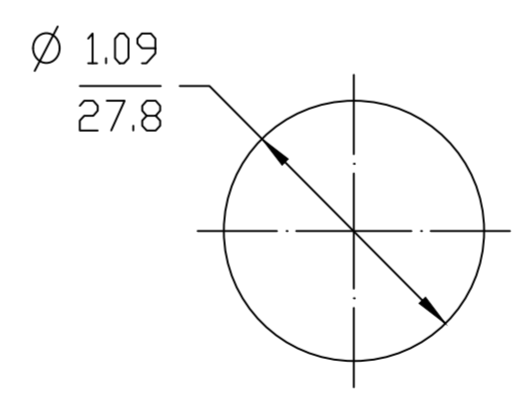
**LENGTH**  
M005 = 0.5 METER  
M010 = 1 METER  
M100 = 10 METER

**CABLE LENGTH TOLERANCES**

>.3M [1FT]:	+19mm-0 [+ .75in-0]
.3 - .9M [1 - 3FT]:	+44.5mm-0 [+1.75in-0]
.9 - 1.8M [3 - 6FT]:	+55.6mm-0 [+2.19in-0]
1.8 - 3.7M [6 - 12FT]:	+88.9mm-0 [+3.50in-0]
3.7 - 7.3M [12 - 24FT]:	+165.1mm-0 [+6.50in-0]
7.3-14.6M [24 - 48FT]:	+317.5mm-0 [+12.50in-0]
14.6 - 30.5M [48-100FT]:	+622.3mm-0 [+24.50in-0]
OVER 30M [100FT]	+2% OF FINISHED LENGTH



- NOTES:**
- MATERIAL: AS NOTED
  - FINISH: AS NOTED
  - ELECTRICAL:  
VOLTAGE: 4P: 500V PER IEC60664  
600V PER UL2237  
CURRENT: 32A
  - TEMP RATING: -20°TO +90°C
  - PROTECTION: IP67 (WHEN MATED)
  - UL LISTED FILE: E258922
  - COUPLING THREAD: 1 3/8-16UN
  - ALL DIMS ARE FOR REFERENCE UNLESS NOTED OR DIMENSIONED OTHERWISE



BLACK	1
Ⓢ GREEN/YELLOW	2
RED	3
WHITE	4

WIRING DIAGRAM

ITEM	QTY.	DESCRIPTION	MATERIAL	FINISH
8	1	FLAG LABEL	VINYL	YELLOW
7	A/R	POTTING	EPOXY	BLACK
6	4	WIRE, 10 AWG UL1015	PVC JACKET	SEE WIRING DIAGRAM
5	1	LOCKNUT	STEEL	ZINC PLATED
4	1	GASKET	NEOPRENE	BLACK
3	4	SOCKET CONTACT	COPPER ALLOY	GOLD PLATED
2	1	FEMALE INSERT, 4 POLE	TPE Ⓢ	BLACK
1	1	RECEPTACLE SHELL	ALUMINUM	BLACK ANODIZED

REF. THIS DRAWING SUPERSEDES CO-CREATE DOC REV. A

SYMBOLS		THIS DRAWING CONTAINS INFORMATION THAT IS PROPRIETARY TO MOLEX ELECTRONIC TECHNOLOGIES, LLC AND SHOULD NOT BE USED WITHOUT WRITTEN PERMISSION	
∇ = 0	DIMENSION UNITS	SCALE	CURRENT REV DESC: INSERT WAS PNC, CORRECTED .37 DIM, ADD GREEN/YELLOW
∇ = 0	INCH/MM	1:1	
∇ = 0	GENERAL TOLERANCES (UNLESS SPECIFIED)		EC NO: 626034
∇ = 0		mm	INCH
∇ = 0	4 PLACES	±----	±----
∇ = 0	3 PLACES	±----	±----
∇ = 0	2 PLACES	±----	±----
∇ = 0	1 PLACE	±----	±----
∇ = 0	0 PLACES	±----	±----
∇ = 0	ANGULAR TOL ± 0.5 °		DRWN: RSTONE 2020/01/07
∇ = 0	DRAFT WHERE APPLICABLE MUST REMAIN WITHIN DIMENSIONS		CHK'D: MZIELINSKI 2020/01/10
	THIRD ANGLE PROJECTION		APPR: BWOODMAN 2020/01/21
	DRAWING		INITIAL REVISION:
	C-SIZE		DRWN: CLYORK 2010/01/19
	SERIES		APPR: DTITUS 2010/01/20
	130066		DOCUMENT NUMBER
	GENERAL MARKET		SD-130066-064
	SHEET NUMBER		PSD 001 C
	1 OF 1		